



DESIGN AND CONSTRUCTION GROUP
THE GOVERNOR NELSON A. ROCKEFELLER
EMPIRE STATE PLAZA
ALBANY, NY 12242

ADDENDUM NO. 1 TO PROJECT NO. 44831

**ELECTRICAL WORK
REPLACE EXISTING FIRE ALARM SYSTEM, FACILITY WIDE
WALLKILL CORRECTIONAL FACILITY
50 MCKENDRICK ROAD
WALLKILL, NY**

September 30, 2016

NOTE: This Addendum forms a part of the Contract Documents. Insert it in the Project Manual. Acknowledge receipt of this Addendum in the space provided on the Bid Form.

SPECIFICATIONS

1. Page 011000-3, Change article 1.05 to read:

“1.05 CONTRACT AWARD SUBMITTALS

- A. Submittal No. 1: Submit the CONTRACTOR’S LIST OF SUBCONTRACTORS-SUPPLIERS information required in SCHEDULES AND RECORDS Article in Specification Section 013000 not later than 15 days after approval of the Contract by the Comptroller.
- B. Submittal No. 2: Submit Preliminary Project Schedule related information noted in 013113 Project Schedule within 15 days after approval of the Contract by the Comptroller for review by the Director’s Representative and OGS Scheduling.
- C. Submittal No. 3: Submit the Submittal Coordinator Qualifications not later than 10 days after Award. Include resume and references, and other certification, licenses, or other requested information.”

2. Page 011000-3, Delete article 1.06 in its entirety.

3. Page 011000-4, Delete paragraphs 1.10 A, B, C, D and E in their entirety.

-

4. Page 011000-5, Add the following subparagraphs to paragraph 1.10 O:
 - “1. Upload and maintain electronic SDS documents on the Submittals Website (SDS tab).
 2. SDS tab is organized by prime contracts. To be readily identified, name products with SDS by specification section number and product name.
 3. Supply and maintain one hard copy of the appropriate SDS on the project site and one hard copy with the Facility’s Right-to-Know Information Officer.”
5. Page 011000-6, Delete article 1.11 in its entirety.
6. Page 011000-6, Add the following paragraph to article 1.13:

“B. Lay out the Work in accordance with the Contract Documents.”
7. SECTION 011100 SAFETY: Add the attached Section (pages 011100-1 through 011100-3) to the Project Manual.
8. Page 014100 – 1, Change Paragraph 1.02 A. to read:

“A. All Work shall comply with OSHA (site specific safety plans are required on all projects), the New York State Uniform Fire Prevention and Building Code (the "Uniform Code"), which includes the current editions of Part 1220 (Residential Code), Part 1221 (Building Code), Part 1222 (Plumbing Code), Part 1223 (Mechanical Code), Part 1224 (Fuel Gas Code), Part 1225 (Fire Code), Part 1226 (Property Maintenance Code), Part 1227 (Existing Building Code). And Part 1240 (Energy Code) and their referenced standards. The referenced codes and standards shall be the date of latest revision in effect at the time of receiving bids, unless the date is given.

 1. The contractor shall be aware of, and comply with, contractor requirements identified in the above referenced codes and standards; for example, but not limited to: OSHA (Occupational Safety and Health Administration) - Building Code of New York State - Chapter 33 Safeguards During Construction, Existing Building Code of New York State - Chapter 14 Construction Safeguards, Fire Code of New York State – Chapter 14 Fire Safety During Construction and Demolition, Fire Code of New York State – Chapter 26 Welding and Other Hot Work (which governs safety during construction).”
9. Page 260501-10, Change paragraph 3.01 B to read:

“B. Conduit Installed Concealed:

 1. Install conduit concealed where existing chases and hung ceilings are indicated on the drawings. If conduit cannot be installed concealed in these areas due to conditions encountered in the building, report such condition and await approval in writing before proceeding.”
10. Page 283101-31, Change paragraph 3.01 E to read:

“E. All wiring for the fire alarm system shall be installed in rigid conduit.”
11. Page 283101-31, Delete paragraph 3.01 F in its entirety.

DRAWINGS

1. Drawing No. E-0002: Add to the end of Installation Note 2, “ALL CONDUCTORS SHALL BE PROVIDED IN CONDUIT.
2. Drawing No. E-0004: Change Keyed Note 1 to, “PROVIDE WET LOCATION NETWORK CABLE IN (1) – 4” UNDERGROUND CONDUIT AND PROVIDE 3 SPARE 4” UNDERGROUND CONDUIT. FOR UNDERGROUND DUCT BANK AND MANHOLE DETAILS, REFER TO DRAWINGS NOS. E-0005, E-0006, E-0007, AND E-0008.”
3. Drawing No. E-0004: Change Keyed Note 2 to, “PROVIDE NETWORK CABLE IN (1) – 2” RIGID FERROUS METAL CONDUIT BELOW OVERHANG THAT COVERS THE SHORT WALKWAY CONNECTING BUILDINGS NOS. 11 AND 122.
4. Drawing No. E-0004: Change Keyed Note 3 to, “PROVIDE NETWORK CABLE IN (1) – 2” RIGID FERROUS METAL CONDUIT MOUNTED TO EXISTING PIPE SUPPORT STRUCTURE RUNNING TO BUILDING NO. 15.”
5. Drawing No. E-0004: Change Keyed Note 4 to, “PROVIDE NETWORK CABLE IN (1) – 2” RIGID FERROUS METAL CONDUIT FROM EXISTING PIPE SUPPORT STRUCTURE TO EXISTING SINGAL MANHOLD UNDERGROUND.”
6. Drawing No. E-0005: Replace UNDERGROUND CONDUITS ENTERING EXISTING BUILDING WALL Detail with CONDUIT ENTERING EXISTING BUILDING WALL (TYPICAL) Detail in attached Drawing No. FA-1.

END OF ADDENDUM

Margaret F. Larkin
Executive Director
Design and Construction

SECTION 011100

SAFETY

PART 1 GENERAL

1.01 SUMMARY

- A. This section requires compliance with applicable Safety codes, standards and regulations, including but not limited to OSHA, Building Code of New York State, Fire Code of New York State, and Facility Regulations.

1.02 RELATED WORK SPECIFIED ELSEWHERE

- A. Summary of the Work: Section 011000.
- B. Regulatory Requirements: Section 014100.

1.03 DEFINITIONS AND ABBREVIATIONS

- A. OSHA: Occupational Safety and Health Administration.
- B. BCNYS: Building Code of New York State.
- C. EBCNYS: Existing Building Code of New York State.
- D. FCNYS: Fire Code of New York State.
- E. NFPA: National Fire Protection Association.
- F. NFPA 70E: National Fire Protection Association Standard for Electrical Safety in the Workplace.

1.04 SUBMITTALS

- A. Provide a **SITE SPECIFIC SAFETY PLAN** no later than 15 days after approval of the Contract by the Comptroller. The plan must include at a minimum:
 - 1. A program providing 100% hard hats and safety glasses, as well as other personal protective equipment (PPE), i.e. dust protection, noise protection, safety vests, etc.
 - 2. A program for assuring employees have proper work attire, i.e. substantial sole safety toed footwear, long pants, shirts with minimum 4" sleeves, etc.
 - 3. A 100% 6-foot conventional fall protection program which provides full body harnesses, lanyards, and guardrails when applicable.
 - 4. A program for training employees.
 - 5. A program for Confined Space, including procedures for entry, when applicable.
 - 6. A program for High Hazard Assessment including procedures for all high hazard work activities, i.e. critical lifts involving cranes or material

handling equipment, scaffolding, demolition, excavations, hot work activities, steel erection, and roofing. A pre-task meeting is required to verify all hazards will be addressed.

7. A list of the names of all competent and/or qualified persons, including their qualifications, for each activity requiring a competent person, i.e. excavations, scaffolding, rigging, fall protection, etc.
 8. The name and contact information of the Company Safety Representative.
 9. A program for project safety inspections, with a minimum of one documented safety inspection per week during the course of construction. Submit copies of all resultant inspection reports to the Director's Representative on a weekly basis.
 10. A program for providing proper care for injured employees, including the name of the employee with First Aid/CPR certification who will be on site at all times during the course of construction.
 11. A program for providing potable water and sanitary toilet services for all employees.
 12. A program for addressing heat stress during high heat periods and/or cold stress during extreme cold periods, for employees exposed to these elements during the course of construction.
 13. A program for record keeping per OSHA 1904.
- B. Provide safety orientation training for each employee prior to their starting work on site. This orientation shall include but not be limited to; Fitness for Duty (drug and alcohol policies), training on general safety hazards, site specific safety policies and procedures, personal protective equipment, injury reporting and protocols, emergency evacuation and preferred medical providers, and, HAZCOM (GHS Harmonization). Provide documentation of all safety orientation training for each new employee on the site, including all subcontractors, to the Director's Representative.
- C. Provide copies of all employee training and certifications related to the safe performance of activities, i.e. OSHA 10 hour certifications, forklift training, powder actuated tool training, aerial lift training, etc., to the Director's Representative.
- D. Provide an Emergency Action and Evacuation Plan, including Fire Protection and Emergency Response, when applicable.
- E. Accident Reporting: the Director's Representative shall be immediately notified of any and all accidents. A copy of a written accident report shall be furnished to the Director's Representative within 24 hours of incidents.
- F. Where Work or related staging, storage, or temporary use of areas outside the boundaries of state property are required, comply with the rules, regulations and all applicable safety codes of the applicable municipality.

1.05 STOP WORK ACTIVITY AUTHORITY

- A. All NYS D&C OGS employees and/or their direct representatives have the authority to stop a work activity that exposes any Contractor employees,

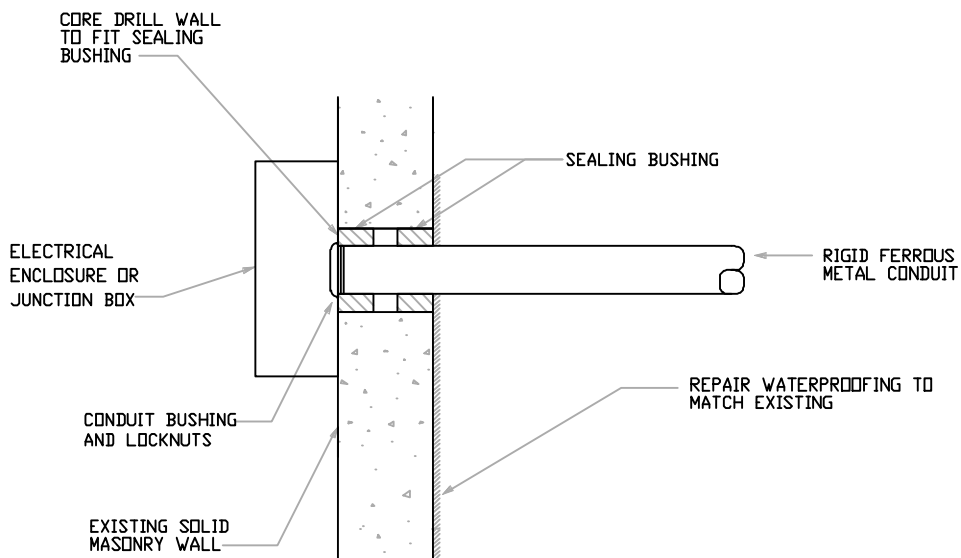
consultants, or other visitors to potentially serious injury and/or illness. The responsible Contractor shall immediately cease work, perform an assessment of the activity that is exposing employees to any Immediately Dangerous to Life or Health (IDLH) conditions, and take action necessary to satisfactorily address the unsafe condition(s) at no cost to the State. The activity may only resume when the NYS D&C OGS representative or the Director's Representative and respective Contractor's Safety Representative verify corrective measures have been satisfactorily completed. Any related impact to time of completion shall be considered within the Contractor's control.

- B. **No Work, other than mobilization, shall commence until the Site Specific Safety Plan is approved.**

PART 2 PRODUCTS (Not Used)


PART 3 EXECUTION (Not Used)

END OF SECTION



CONDUIT ENTERING EXISTING
BUILDING WALL (TYPICAL)

NOT TO SCALE

		Project No.: 44831
Project Name: REPLACE EXISTING FIRE ALARM SYSTEM, FACILITY WIDE - WALLKILL CORRECTION FACILITY		Date: 09/30/16
 CODE CONSULTANTS PROFESSIONAL ENGINEERS, PC 215 WEST 40TH STREET, 15TH FLOOR NEW YORK, NEW YORK 10018 212-216-9596 www.codeconsultants.com	Description:	Drawn By: WLB
	THIS DETAIL SHALL REPLACE THE DETAIL ON DRAWING E-0005 TITLED "UNDERGROUND CONDUITS ENTERING EXISTING BUILDING WALL."	Checked By: AM
		Ref. Sheet E-0005
		Drawing No. FA-1 Sheet No. 1 of 1