

NOTICE TO AUTHORIZED USERS OF AWARD #23295 - Furniture, All Types (Except Hospital Room and Patient Handling)

This pricelist/catalog **may** contain items that are not within the Scope of the Contract Award and/or not within this Contractors approved furniture Categories. All Authorized Users are strongly encouraged to review the Scope of the Award and the Contractors Category Matrix prior to selecting items for purchase under the Contract. Per Solicitation Section 4.5 (D) - Procurement Instructions for Authorized Users: When placing orders under this Award, the Authorized User should follow and be familiar with the terms and conditions governing the Contract and are responsible for determining that the product(s) they intend to purchase fit within the scope of the Award.

References to other government contracts that may be included in a Contractor's pricelist/catalog, including any additional terms or conditions, are void under the OGS Award and should be disregarded. Only OGS' Terms and Conditions, including those within a Contractor's posted Contractor Information and Supplemental Information sheet, are valid under the Contract.

Additionally, Authorized Users are reminded that where discrepancies exist between Price List documents, the lowest price shall prevail (see Section 5.3 Price).

All orders must be placed with the Contractor, or the Contractor's OGS approved Authorized Reseller listed on the OGS website under the Award. Orders placed with a reseller not approved by OGS are not considered contract orders and therefore are not subject to the same terms and conditions of the OGS Award.

Authorized Users should contact the OGS Contract Manager listed on the Award with any questions pertaining to this pricelist/catalog.

NYS Price List Effective 11/7/25

Fellowes

Workspace
Accessories

June 2025



Who We Are



For over 100 years, Fellowes has delivered powerful innovations that shape the way people work. And we're just getting started.



We build products that last! Our contract interiors products are designed, engineered and produced to the highest standards and backed by an industry leading lifetime warranty.



Whether you are a dealer, architect, or end user, when you partner with Fellowes, you are supported by fully-integrated services and sales teams – all working together to deliver an extraordinary final result.

Our locations

Fellowes Brands Headquarters

1789 Norwood Avenue
Itasca, IL 60143

Chicago Design & Experience Center

800 W Fulton Market
Suite 950
Chicago, IL 60607

Mesa Office & Showroom

1314 N Recker Rd.
Mesa, AZ 85205

Online

Toll Free: 800.833.3746
fellowes.com



Table of Contents

Intro 2

Customer Commitment	6
Popular Products	10
BIFMA Level Certified Products	12
Vertical Market Solutions	16

Monitor Arms 18

Monitor Arm Considerations	20
Monitor Arm Movement	21
Rising™	22
Rising ID™	33
Kata™	35
Edge®	47
Evolve	53
Sena™	65
Eppa™	75
Monitor Arm Accessories	78

Height Adjustable Tables 84

All-Flex®	86
Victory™LX	93
Triumph™LX	101
Rejuve™	106
Trada™	113
Levado™	121
Weight Adjustable Espree™	126
Q Crank	130
Casters	134
Motific™ Height Adjustable	135

Worksurfaces 138

Worksurfaces Overview	140
TFL Quick Ship Worksurfaces ...	141
TFL Standard Worksurfaces	141
HPL Standard Worksurfaces ...	142
HPL Premium Worksurfaces ...	143
Laminates	144

Training Tables 146

Zona™	148
-------------	-----

Table Enhancements 150

Rising Loft™	152
PrivacyScreens & Modesty Panels	159
Wire Management	162
CPU Holders & Carts	164
Technology Accessories	166

Storage Solutions 170

MP™	172
Kuva™	174

Sit to Stand 176

Lotus™	178
--------------	-----

Power Solutions 182

Railway™	184
FlexCharge™ Personal Desktop Power	189
FlexCharge™ Power Hubs	192

Markerboards 194

Mobile	196
Wall-Mount	201
Accessories	208
Markerboard ID™	210
Freight Policy	212

Keyboard Manager 214

Combo Solutions	216
Keyboard Platforms & Articulating Arms	220
Keyboard Accessories	225

Lighting 226

Glimor™	228
Lustre	230
Lily™	232
Lucera	234

Seating 236

Elea®	238
-------------	-----

Monitor Arm Measurement Standards ... 240

Terms and Conditions 250

Committed to our Customers

01

Customer Service & Orders

Toll Free: 800.833.3746
Please e-mail orders to
ci-orders@fellowes.com.

Fellowes' customer obsessive, award-winning team is on-call to assist with any workspace needs. We are ready to answer questions or recommend products that help customers achieve their best at work.

Fellowes honors a no restocking fee for our customers, if the return is approved in advance.

02

48 Hours

Fellowes can fulfill orders in as little as 48 hours based on product availability. We do this by maintaining high inventory levels of the most popular products so our customer can meet ambitious deadlines and schedules. Fellowes' exceptional fulfillment service ensures you get the products you want, when you want them. Unless otherwise specified, most of Fellowes' products ship within two business days after the order is placed and acknowledged.

03

Specifying Libraries

Fellowes' products are available in the following furniture specification software programs:

**CET Designer | Configura 2020 | Cyncl
Commercial Interiors Library | Configura
ICE Edge
KISP
HEDBERG
Thumbprint**

Fellowes also utilizes My Resource Library (MRL), a virtual library for all our digital cutsheets and catalogs.

04

Lead Time Designations

The **LT** product marker indicates that the lead time may vary depending on quantities ordered and their availability. Please contact our Customer Service Department for on-hand availability when placing orders for products marked with LT. Purchase Orders that include LT designated products will be shipped based on the lead time of those products. Split shipments are available for orders that include both LT and non-LT products.

05

Reserved Inventory

The Fellowes team is focused on helping our customers execute large projects on time. A Reserved Inventory Program is offered for projects totaling at least \$15,000 net. Find out how this program can help make your projects a success by contacting our Customer Service Department.

06

Lifetime Warranties

Many Fellowes' workspace accessories are backed by an industry-leading lifetime product warranty. Ask us about our labor warranty reimbursement program. View the full warranty policy at **fellowes.com** or contact our Customer Service Department for more information.

07

General Information

All prices in the catalog are effective June 5, 2025 and are list price in U.S. dollars. Visit Fellowes' website **fellowes.com** for additional specs, dimensional drawings, alternative images and more resources for all of Fellowes' products.



Form Meets Function Meets Sophistication

At Fellowes, we believe that the beauty of modern design goes hand in hand with practicality. Our in-house industrial design team works tirelessly to craft products that don't just serve their purpose but elevate the workplace. With a focus on innovation and functionality, we aim to create solutions that not only help businesses operate more efficiently but also leave a lasting impression—proving that style and substance can go together seamlessly.

Popular Product Categories

Power Modules

In today's fast-paced, tech-driven work environment, desktop power is no longer just a convenience—it's a necessity. The NEW FlexCharge 65W Series now offers enough output to power laptops and charge mobile devices even faster.

See details starting on page 189

Monitor Arms

Monitor Arms are a must when considering productivity and ergonomic comfort. A few of the top sellers in this category are RISING EX2-MS, SENA2-MS, EVOLVE2-MS and EDGE2-MS.. This particular configuration fits most workstation designs and is easy to specify. Simply choose the Series that best fits your budget.

See details starting on page 18

Height Adjustable Tables

Height Adjustable Tables are perhaps the most important piece of the workstation by providing not only a work area that can be adjusted to the user's comfort but also for its well-known health benefits. The Triumph and Victory Series are the most popular due to the wide selection of height, finishes and price points.

See details starting on page 84

Power Modules



FlexCharge 4CX-65W



FlexCharge3C-5W



FlexCharge Power Strip-65W



FlexCharge4C-65W

Monitor Arms



RisingEX2-MS



SenaEX2-MS



Evolve2-MS



Edge2-MS

Height Adjustable Tables



2-leg Triumph



3-leg Victory

For all of us. For our future.

What works for us also works for our planet. As a company, we're committed to providing solutions that foster sustainability and a focused attention on maintaining good environmental practices. That means selecting products that reflect this commitment. Adopting procedures that promote sustainability. Creating recycling programs. Reviewing and enhancing our operations. Because for us, it's the right thing to do.

Spare Parts Recycling

Fellowes' Rising, RisingEX, Evolve, Edge, Sena, SenaEX and Eppa series monitor arms are shipped with both a desk clamp and grommet mount included—making them simple to order and install. After the installation is complete, the unused desk clamp or grommet mount can be sent back to Fellowes at no cost to you. Fellowes will then recycle the parts as appropriate. Our Spare Parts Recycling Program prevents leftover parts from taking up space in your facility or in a landfill. Contact our Customer Service Department to participate.

LEVEL Certification

LEVEL was created to deliver the most open and transparent means of evaluating and communicating the environmental and social impacts of furniture products in the built environment. To put it simply, LEVEL is to commercial furniture as LEED is to buildings. Also like LEED, LEVEL is comprehensive. It addresses criteria across corporate, facility and product impacts in a way that few other certifications do. If you see a LEVEL certified product, you can be assured that every part of the process from manufacturing to delivery has been tested to ensure that you are getting quality products made safely and ethically, with a minimal environmental footprint.

Source: <http://www.levelcertified.org/learn-about-level/>
See page 13 for a complete list of Fellowes' LEVEL certified products.



LEVEL Certified Products



Monitor Arms

PRODUCT NAME	LEVEL	PAGE
Rising™ Series	2	22–34
Kata™ Series	2	35–46
Edge® Series	2	47–52
Evolve Series	2	53–64
Sena™ Series	2	65–74
Rising™ Loft	2	152–158

Monitor Arm Accessories

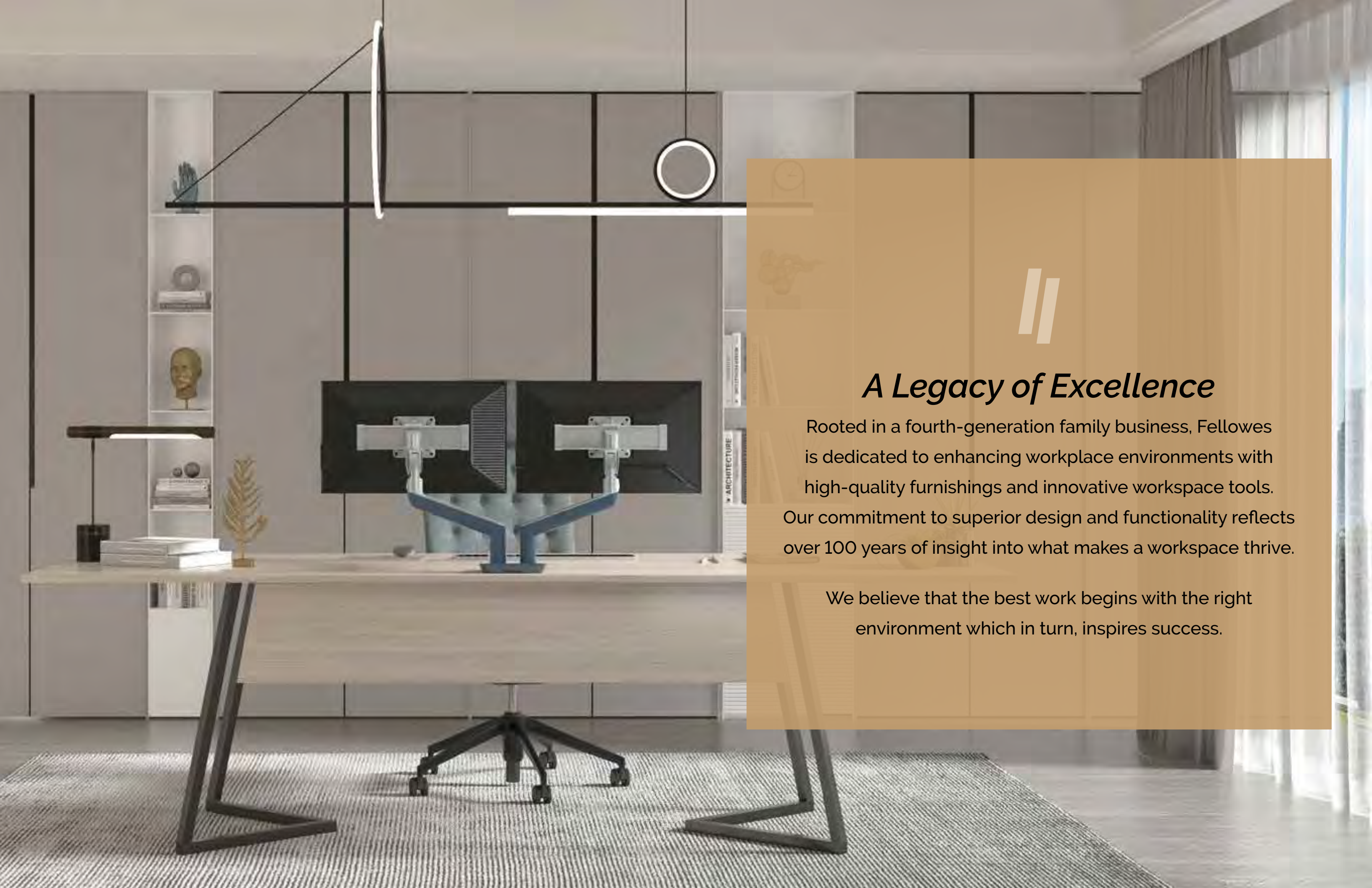
PRODUCT NAME	LEVEL	PAGE
VESA	2	83
Weighted VESA	2	83
Tech Dock	2	167

Tables & Accessories

PRODUCT NAME	LEVEL	PAGE
All-Flex® Series	2	86–92
Victory™ Series	2	93–100
Triumph™ Series	2	101–105
Rejuve™	2	106–112
Trada™ Series	2	113–120
Levado™	2	121–125
Zona™	2	146–149
Conceal	2	163
CPU Mini	2	165
CPU05	2	165
Pencil Drawer	2	167

Articulating Arms

PRODUCT NAME	LEVEL	PAGE
AA330	2	223
AA360	2	223
AA100-PTLO	2	224
AA750DAT	2	224
AA370	2	225
AA780DAT	2	225



A Legacy of Excellence

Rooted in a fourth-generation family business, Fellowes is dedicated to enhancing workplace environments with high-quality furnishings and innovative workspace tools. Our commitment to superior design and functionality reflects over 100 years of insight into what makes a workspace thrive.

We believe that the best work begins with the right environment which in turn, inspires success.

Vertical Market Solutions

Providing federal agencies, state and local government, higher education, healthcare, and non-profit organizations with the tools to create high performance work environments. As a leader in ergonomic workspace accessories, our products help you to enhance productivity and wellness in every area of your facility.

Known for our award-winning customer service and high quality products, we make it easy for agencies to get what they need to improve ergonomics and support technology through all areas of the workspace. Partnering with resellers across the U.S. and internationally, we can meet any socio-economic goal your agency needs. We stand ready to help facilitate contracting objectives for your projects quickly and efficiently.

Contracts

GSA Contract:
GS-28F-0028Y



NAICS Codes:
337214; 339999; 423210;
423450; 424120

33721:
Office Furniture

UEI:
K8NWH19KR1N1

OLM:
Order-Level Materials

CAGE:
63090

Socio-economic partners

8a
Native American
Alaskan Native
HubZone
SDVOSB
EDWOSB
WOSB
MBE
MWBE
Veteran owned

State Contracts

Alabama
University of Alabama
Arkansas
Baltimore Metro – MAPT
California (CMAS)
Connecticut
Florida
Georgia
Kansas
Kentucky
Massachusetts Higher Education (MHEC)
Mississippi
New Jersey
New Mexico
New York
North Carolina
Ohio IUC
Oklahoma
Pennsylvania
Rhode Island
South Carolina
South Dakota
University of Alabama
University of Minnesota
University of Wisconsin
Wisconsin

Cooperative purchasing agreements



Contract Numbers: COG-2152C and R10-1136E

Equalis Group is a national public sector purchasing cooperative that develops and administers a diverse portfolio of cooperative purchasing programs that cover a wide range of products and services. Each program in Equalis' rapidly growing portfolio provides its members with a legal and compliant exemption to the traditional bid/request for proposals (RFP) process and the ability to configure the solution that best meets their individual needs while achieving the lowest total cost.



Contract Number: 091423-FELL

Long before the Trans-Canada Highway or even the Canadian Pacific Railway, exploration and trade throughout Canada was facilitated by Canoe. In keeping with that entrepreneurial spirit, municipal associations across Canada have partnered to create the Canoe Procurement Group of Canada, one of the largest public sector buying groups in the country.

By combining the purchasing power of over 5,000 public and not-for-profit organizations throughout Canada, Canoe is uniquely positioned to get members access to a wide range of trade-compliant products and services at preferred rates.



Contract Number: R221001

OMNIA Partners, Public Sector is the nation's largest and most experienced cooperative purchasing organization dedicated to public sector procurement.



Contract Number: 230301

TIPS is a national purchasing cooperative that provides a proven process to eliminate purchasing related stress for governmental entities by satisfying the typical lengthy and complicated bid and contractor qualification process. *Terms and conditions vary by contract. Please visit fellowes.com for the most updated information.*



Contract Number: 091423-FELL

A self-sustaining government organization, Sourcewell has over 40 years of dedicated service helping government and education entities operate more efficiently through a variety of solutions such as nationally solicited contract purchasing, technology solutions for schools, and regional programs and services for area schools and communities.



Contract Number: MA3971

The National Association of State Procurement Officials (NASPO) is a non-profit association dedicated to advancing public procurement through leadership, excellence, and integrity.

Group purchasing agreements



Premier Contract - Numbers PP-FA-1037 & PP-FA-2103

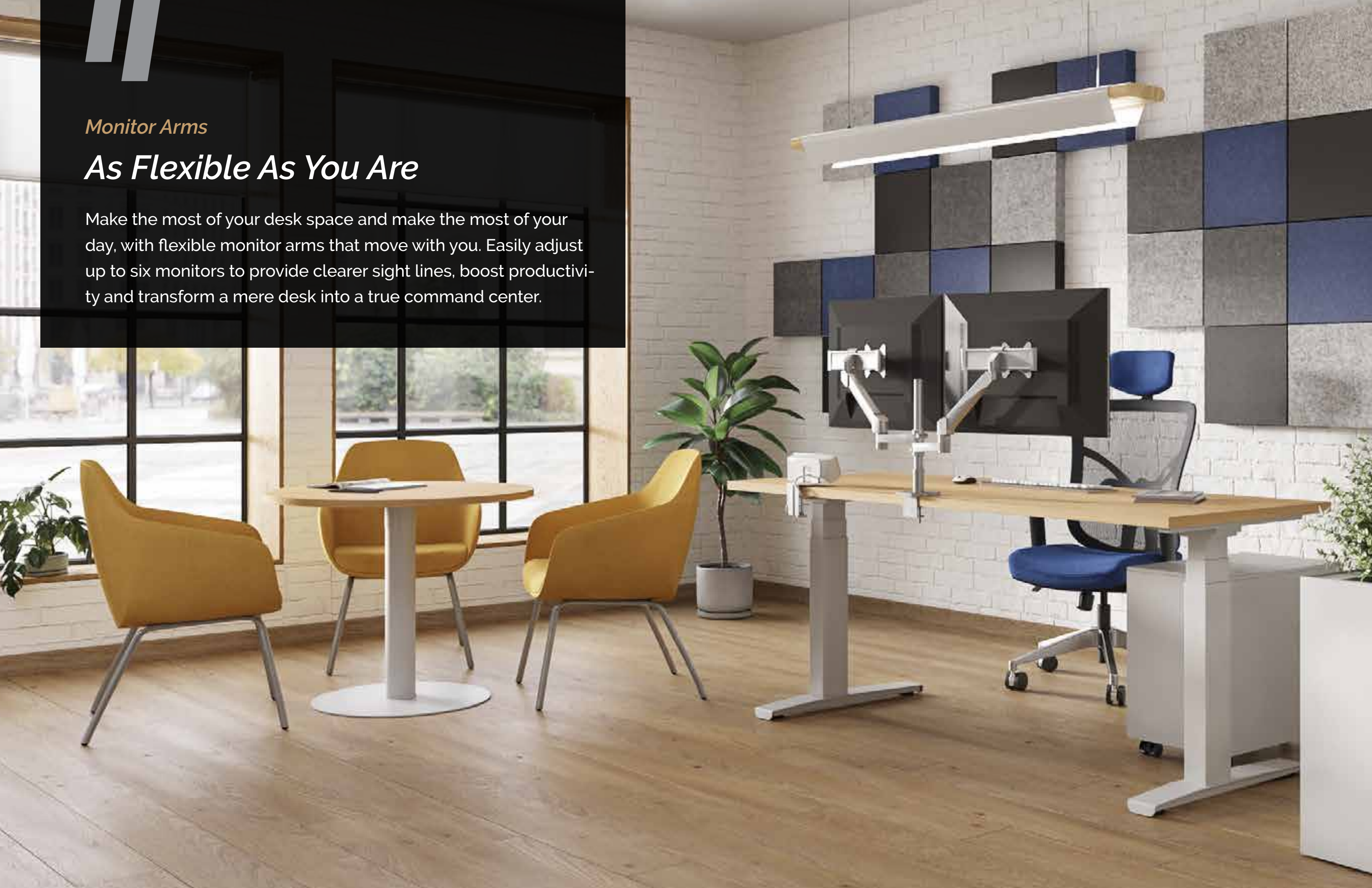
Premier is a leading healthcare improvement company, uniting an alliance of approximately 4,100 U.S. hospitals and 200,000 other providers to transform healthcare. With integrated data and analytics, collaboratives, supply chain solutions and advisory and other services, Premier enables better care and outcomes at a lower cost.



Monitor Arms

As Flexible As You Are

Make the most of your desk space and make the most of your day, with flexible monitor arms that move with you. Easily adjust up to six monitors to provide clearer sight lines, boost productivity and transform a mere desk into a true command center.



What to Consider When Selecting a Monitor Arm

Number of Monitors

Fellowes offers solutions for as few as one to as many as six monitors. Should the needs of the user change, the Rising, Edge, Evolve, and Kata series can all be easily modified in the field to accommodate additional monitors and changing work environments.

Height Adjustment

Monitor arms offer various types of height adjustability. The most user-friendly option is dynamic height adjustment which allows the user to adjust the monitor height quickly and easily with just the touch of a finger.

Weight of Monitor(s)

Fellowes' standard monitor arms in the Eppa, Edge, and Evolve series support the average monitor weights between 6 to 17 pounds. Kata and KataEX support 4 to 20 pounds, Sena and SenaEX support 2.2-19.8 pounds, while Rising and RisingEX support 3.5-28 pounds. For heavier monitors, the Edge-Max will support 17-42 pounds. The weight of the monitor arms should also include any additional monitor accessories (i.e. speakers, cables, or locks).

Size of Monitor(s)

Most users prefer to have their monitors side-by-side as close as possible with no gaps between them. The versatility of Fellowes monitor arms allow multiple wide monitors to fit side-by-side. Max width is contingent on the monitor meeting the weight capacity of the arms. Configurations that include a slider will provide additional horizontal adjustability, allowing monitors of varying sizes to fit together seamlessly.

Size and Shape of the Worksurface

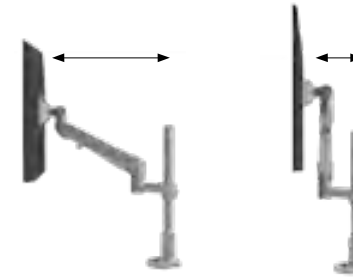
Shallow worksurface depths of 24 inches or less, are best suited for monitor arm configurations with fewer limbs. For applications that require extended reach, Fellowes recommends a RisingEX, Evolve, SenaEX or KataEX configuration with multiple limbs. When positioning two or more monitors side-by-side in a 90° corner, the maximum monitor size will be reduced. Please contact our Customer Service Department to discuss your specific applications and requirements.

If you need further assistance in specifying the correct monitor arms or would like to take advantage of our demo program, please contact our Customer Service Department.

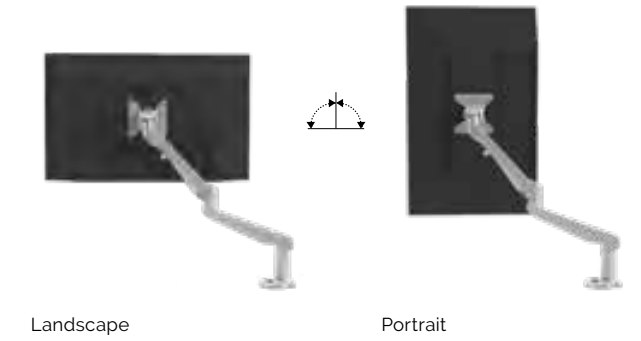
Monitor Arm Movement

Within the Fellowes monitor arm collection, there are many common movements.

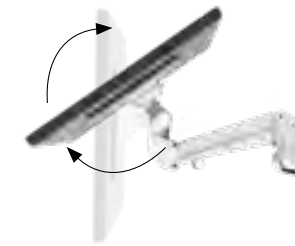
Extension/Retraction



Rotation

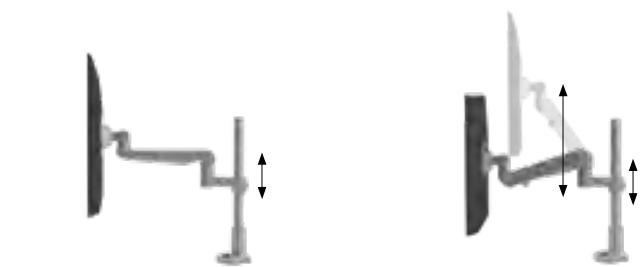


Tilt



VESA mounts tilt forward and backward, providing varied viewing angle options.

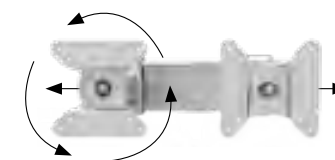
Height Adjustment



Fixed Arms: The arms can be mounted at any height along the pole.

Dynamic Motion Arms: Motion arms can move up and down with finger touch adjustment. The arms can be mounted at any height along the pole.

Slider



Sliders move your monitor left and right providing more ability to position multiple monitors flush to each other.

Rising Motion Arms

Rising configurations that include a motion arm (M) offer finger touch dynamic height adjustment. That means the monitor can reposition up and down with ease.

Rising Fixed Arms

Rising configurations using fixed arms (F) have manual height adjustment. They rotate left and right along the pole, offering flexibility with lateral adjustments.

Crossbar Mount

Launching Q3 2025, the Rising Crossbar can transform a single arm into a dual arm configuration quickly and easily. Supports monitors up to 30" (bezel measured left to right) and will support a max combined monitor weight of 25 lbs.

Flexible Growth

Because Rising is designed with SnapKinect™ installation technology, arms can be easily added as needed to support additional monitors.

Quality Testing

Meets or exceeds BIFMA x5.5 guidelines.

Slider Mount

Position virtually any monitor side-by-side with a slider. The slider (S) offers eight and a half inches of horizontal adjustability, so even monitors of varying sizes can be positioned flush.



Monitor Arms Rising™ Series

Rising™



Rising

Single Monitor Arm

Standard Finishes: **\$523**
Premium Finishes: **\$694**
In-Trend Finishes: **\$601**

MODEL # RSNG-_-_-
See key below for available finish options

Features

- Finger touch dynamic height adjustment
- Recommended for worksurfaces 36" deep or less
- 11.7" height adjustment range - 8.2"-19.9" (low-high)
- 22.4" arm extension
- 3.5" arm retraction
- +45°/-30° monitor tilt
- +/-90° VESA rotation
- 4.5lb.-28lb. weight capacity
- VESA 75mm/100mm quick release
- RotationStop lock-out feature (14 distinct locations)
- Desk clamp and grommet mount included
- Meets or exceeds BIFMA x5.5 guidelines
- Warranty: Lifetime



Rising™2



Rising2

Dual Monitor Arm

Standard Finishes: **\$973**
Premium Finishes: **\$1,283**
In-Trend Finishes: **\$1,119**

MODEL # RSNG2-_-_-
See key below for available finish options

Features

- Finger touch dynamic height adjustment
- Recommended for worksurfaces 36" deep or less
- 11.7" height adjustment range - 8.2"-19.9" (low-high)
- 22.4" arm extension
- 3.5" arm retraction
- +45°/-30° monitor tilt
- +/-90° VESA rotation
- 4.5lb.-28lb. weight capacity (per arm)
- Max monitor width (bezel measured from left to right): 42.3"
- VESA 75mm/100mm quick release
- RotationStop lock-out feature (14 distinct locations)
- Desk clamp and grommet mount included
- Meets or exceeds BIFMA x5.5 guidelines
- Warranty: Lifetime



Rising™ Crossbar



Rising Crossbar

Dual Monitors on Single Arm

Black Finish: **\$1,095**
Bronze Finish: **\$1,219**

MODEL # RSNG-CRSBAR-BLK
MODEL # RSNG-CRSBAR-BRZ

Features

- Finger touch dynamic height adjustment
- Recommended for worksurfaces 36" deep or less
- 11.7" height adjustment range - 8.2"-19.9" (low-high)
- 22.4" arm extension
- 3.5" arm retraction
- +45°/-30° monitor tilt
- +/-90° VESA rotation
- 4.5lb.-28lb. weight capacity
- VESA 75mm/100mm quick release
- RotationStop lock-out feature (14 distinct locations)
- Weight Capacity: 24 lbs total (2 monitors)
- Max Monitor Width: 27" (bezel measured left to right)
- Desk clamp and grommet mount included
- Meets or exceeds BIFMA x5.5 guidelines
- Warranty: Lifetime (on Complete Assembly)



Available Finishes:

Standard Finishes

- Platinum - PLT
- Black - BLK
- Designer White - DWT

Premium Finishes

- Bronze/Black - BRZ
- Polished Aluminum/Designer White - POL

*In-Trend Finishes (LT)

- Azure - AZR
- Sage - SGE
- Stardust - STR
- Slate - SLT

* Minimum Order Quantity: 200
Lead Time 10 weeks

Available Finishes:

- Black - BLK
- Bronze - BRZ

Rising™EX1



RisingEX1-F

Single Fixed Monitor Arm

Standard Finishes: **\$395**
 Premium Finishes: **\$480**
 In-Trend Finishes: **\$454**

MODEL # RSNEX1-F-_-_-
 See key below for available finish options

Features

- Manual height adjustment
- Recommended for worksurfaces 30" deep or less
- 21.9" height adjustment range – 8.4"-21.9" (low-high)
- 15" arm extension
- 3.6" arm retraction
- +45°/-30° monitor tilt
- +/-90° VESA rotation
- 60lb. weight capacity
- 16" pole height (includes base)
- VESA 75mm/100mm quick release
- RotationStop lock-out feature (14 distinct locations)
- Desk clamp and grommet mount included
- Meets or exceeds BIFMA x5.5 guidelines
- Warranty: Lifetime



RisingEX1-FF

Single Fixed + Fixed Monitor Arm

Standard Finishes: **\$508**
 Premium Finishes: **\$617**
 In-Trend Finishes: **\$584**

MODEL # RSNEX1-FF-_-_-
 See key below for available finish options

Features

- Manual height adjustment
- Recommended for worksurfaces 36" deep or less
- 13.5" height adjustment range – 26.3"-12.8" (low-high)
- 25.3" arm extension
- 3.6" arm retraction
- +45°/-30° monitor tilt
- +/-90° VESA rotation
- 60lb. weight capacity
- 16" pole height (includes base)
- VESA 75mm/100mm quick release
- RotationStop lock-out feature (14 distinct locations)
- Desk clamp and grommet mount included
- Meets or exceeds BIFMA x5.5 guidelines
- Warranty: Lifetime



RisingEX1-FM

Single Fixed + Motion Monitor Arm

Standard Finishes: **\$587**
 Premium Finishes: **\$782**
 In-Trend Finishes: **\$676**

MODEL # RSNEX1-FM-_-_-
 See key below for available finish options

Features

- Finger touch dynamic height adjustment
- Recommended for worksurfaces 36" deep or less
- 25.3" height adjustment range – 6.6"-31.9" (low-high)
- 15.0" arm extension
- 3.6" arm retraction
- +45°/-30° monitor tilt
- +/-90° VESA rotation
- 4.5lb.-28lb. weight capacity
- 16" pole height (includes base)
- VESA 75mm/100mm quick release
- RotationStop lock-out feature (14 distinct locations)
- Desk clamp and grommet mount included
- Meets or exceeds BIFMA x5.5 guidelines
- Warranty: Lifetime



Rising™EX1



RisingEX1-M

Single Motion Monitor Arm

Standard Finishes: **\$480**
 Premium Finishes: **\$644**
 In-Trend Finishes: **\$552**

MODEL # RSNEX1-M-_-_-
 See key below for available finish options

Features

- Finger touch dynamic height adjustment
- Recommended for worksurfaces 30" deep or less
- 24" height adjustment range – 3.5"-27.5" (low-high)
- 15.5" arm extension
- 3.6" arm retraction
- +45°/-30° monitor tilt
- +/-90° VESA rotation
- 4.5lb.-28lb. weight capacity
- 16" pole height (includes base)
- VESA 75mm/100mm quick release
- RotationStop lock-out feature (14 distinct locations)
- Desk clamp and grommet mount included
- Meets or exceeds BIFMA x5.5 guidelines
- Warranty: Lifetime



RisingEX1-MS

Single Motion + Slider Monitor Arm

Standard Finishes: **\$534**
 Premium Finishes: **\$715**
 In-Trend Finishes: **\$614**

MODEL # RSNEX1-MS-_-_-
 See key below for available finish options

Features

- Finger touch dynamic height adjustment
- Recommended for worksurfaces 30" deep or less
- 24" height adjustment range – 3.6"-27.6" (low-high)
- 17.8" arm extension
- 5.8" arm retraction
- +45°/-30° monitor tilt
- +/-90° VESA rotation
- 3.5lb.-28lb. weight capacity
- 16" pole height (includes base)
- VESA 75mm/100mm quick release
- RotationStop lock-out feature (14 distinct locations)
- Desk clamp and grommet mount included
- Meets or exceeds BIFMA x5.5 guidelines
- Warranty: Lifetime



Available Finishes:

Standard Finishes

- Platinum – PLT
- Black – BLK
- Designer White – DWT

Premium Finishes

- Bronze/Black – BRZ
- Polished Aluminum/ Designer White – POL

In-Trend Finishes (LT)

- Azure – AZR
- Sage – SGE
- Stardust – STR
- Slate – SLT

* Minimum Order Quantity: 200
 Lead Time 10 weeks

Available Finishes:

Standard Finishes

- Platinum – PLT
- Black – BLK
- Designer White – DWT

Premium Finishes

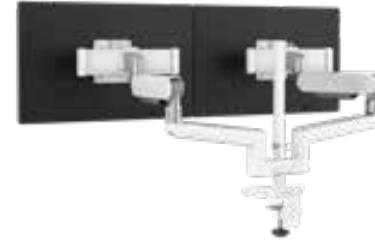
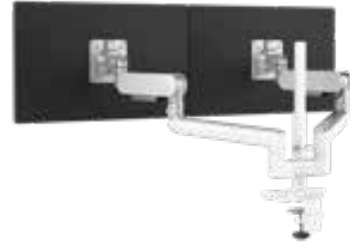
- Bronze/Black – BRZ
- Polished Aluminum/ Designer White – POL

In-Trend Finishes (LT)

- Azure – AZR
- Sage – SGE
- Stardust – STR
- Slate – SLT

* Minimum Order Quantity: 200
 Lead Time 10 weeks

Rising™EX2



RisingEX2-F

Dual Fixed Monitor Arm

Standard Finishes: **\$641**
 Premium Finishes: **\$780**
 In-Trend Finishes: **\$737**

MODEL # RSNSEX2-F-_-_-
 See key below for available finish options

Features

- Manual height adjustment
- Recommended for worksurfaces 30" deep or less
- 13.5" height adjustment range – 8.4"–21.9" (low–high)
- 13.05" arm extension
- 3.6" arm retraction
- +45°/-30° monitor tilt
- +/-90° VESA rotation
- 60lb. weight capacity
- Max monitor width (bezel measured from left to right): 26.5"
- 16" pole height (includes base)
- VESA 75mm/100mm quick release
- RotationStop lock-out feature (14 distinct locations)
- Desk clamp and grommet mount included
- Meets or exceeds BIFMA x5.5 guidelines
- Warranty: Lifetime



RisingEX2-FF

Dual Fixed + Fixed Monitor Arm

Standard Finishes: **\$876**
 Premium Finishes: **\$1,069**
 In-Trend Finishes: **\$1,008**

MODEL # RSNSEX2-FF-_-_-
 See key below for available finish options

Features

- Manual height adjustment
- Recommended for worksurfaces 36" deep or less
- 13.5" height adjustment range – 12.8"–26.3" (low–high)
- 23.3" arm extension
- 3.6" arm retraction
- +45°/-30° monitor tilt
- +/-90° VESA rotation
- 60lb. weight capacity
- Max monitor width (bezel measured from left to right): 48"
- VESA 75mm/100mm quick release
- RotationStop lock-out feature (14 distinct locations)
- Desk clamp and grommet mount included
- Meets or exceeds BIFMA x5.5 guidelines
- Warranty: Lifetime



RisingEX2-FM

Dual Fixed + Motion Monitor Arm

Standard Finishes: **\$1,037**
 Premium Finishes: **\$1,390**
 In-Trend Finishes: **\$1,192**

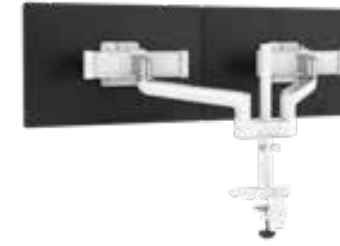
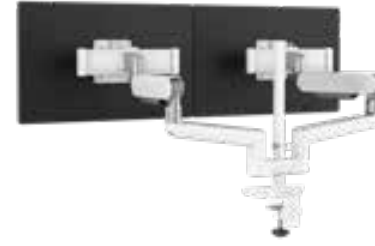
MODEL # RSNSEX2-FM-_-_-
 See key below for available finish options

Features

- Finger touch dynamic height adjustment
- Recommended for worksurfaces 36" deep or less
- 25.2" height adjustment range – 6.6"–31.8" (low–high)
- 23.8" arm extension
- 3.5" arm retraction
- +45°/-30° monitor tilt
- +/-90° VESA rotation
- 4.5lb.–28lb. weight capacity (per arm, not to exceed a total of 60lb.)
- Max monitor width (bezel measured from left to right): 47"
- 16" pole height (includes base)
- VESA 75mm/100mm quick release
- RotationStop lock-out feature (14 distinct locations)
- Desk clamp and grommet mount included
- Meets or exceeds BIFMA x5.5 guidelines
- Warranty: Lifetime



Rising™EX2



RisingEX2-FMS

Dual Fixed + Motion + Slider Monitor Arm

Standard Finishes: **\$1,140**
 Premium Finishes: **\$1,497**
 In-Trend Finishes: **\$1,310**

MODEL # RSNSEX2-FMS-_-_-
 See key below for available finish options

Features

- Finger touch dynamic height adjustment
- Recommended for worksurfaces 36" deep or less
- 25.2" height adjustment range – 6.8"–32" (low–high)
- 23.8" arm extension
- 5.8" arm retraction
- +45°/-30° monitor tilt
- +/-90° VESA rotation
- 3.5lb.–27lb. weight capacity (per arm, not to exceed a total of 60lb.)
- Max monitor width (bezel measured from left to right): 56.7"
- 16" pole height (includes base)
- VESA 75mm/100mm quick release
- RotationStop lock-out feature (14 distinct locations)
- Desk clamp and grommet mount included
- Meets or exceeds BIFMA x5.5 guidelines
- Warranty: Lifetime



RisingEX2-FS

Dual Fixed + Slider Monitor Arm

Standard Finishes: **\$748**
 Premium Finishes: **\$887**
 In-Trend Finishes: **\$860**

MODEL # RSNSEX2-FS-_-_-
 See key below for available finish options

Features

- Manual height adjustment
- Recommended for worksurfaces 30" deep or less
- 13.5" height adjustment range – 8.5"–22" (low–high)
- 15.36" arm extension
- 5.8" arm retraction
- +45°/-30° monitor tilt
- +/-90° VESA rotation
- 60lb. weight capacity
- Max monitor width (bezel measured from left to right): 35.3"
- 16" pole height (includes base)
- VESA 75mm/100mm quick release
- RotationStop lock-out feature (14 distinct locations)
- Desk clamp and grommet mount included
- Meets or exceeds BIFMA x5.5 guidelines
- Warranty: Lifetime



RisingEX2-M

Dual Motion Monitor Arm

Standard Finishes: **\$812**
 Premium Finishes: **\$1,105**
 In-Trend Finishes: **\$934**

MODEL # RSNSEX2-M-_-_-
 See key below for available finish options

Features

- Finger touch dynamic height adjustment
- Recommended for worksurfaces 30" deep or less
- 23.9" height adjustment range – 3.5"–27.4" (low–high)
- 13.5" arm extension
- 5.8" arm retraction
- +45°/-30° monitor tilt
- +/-90° VESA rotation
- 4.5lb.–28lb. weight capacity (per arm, not to exceed a total of 60lb.)
- Max monitor width (bezel measured from left to right): 27.4"
- 16" pole height (includes base)
- VESA 75mm/100mm quick release
- RotationStop lock-out feature (14 distinct locations)
- Desk clamp and grommet mount included
- Meets or exceeds BIFMA x5.5 guidelines
- Warranty: Lifetime



Available Finishes:

Standard Finishes

- Platinum – PLT
- Black – BLK
- Designer White – DWT

Premium Finishes

- Bronze/Black – BRZ
- Polished Aluminum/ Designer White – POL

In-Trend Finishes (LT)

- Azure – AZR
- Sage – SGE
- Stardust – STR
- Slate – SLT

* Minimum Order Quantity: 200
 Lead Time 10 weeks

Available Finishes:

Standard Finishes

- Platinum – PLT
- Black – BLK
- Designer White – DWT

Premium Finishes

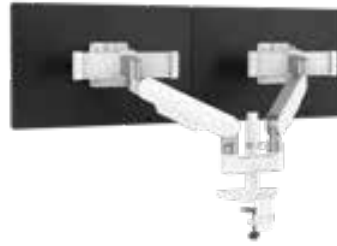
- Bronze/Black – BRZ
- Polished Aluminum/ Designer White – POL

In-Trend Finishes (LT)

- Azure – AZR
- Sage – SGE
- Stardust – STR
- Slate – SLT

* Minimum Order Quantity: 200
 Lead Time 10 weeks

Rising™EX2



RisingEX2-MS

Dual Motion + Slider Monitor Arm

Standard Finishes: **\$908**
 Premium Finishes: **\$1,176**
 In-Trend Finishes: **\$1,045**

MODEL # RSNEX2-MS-_-_-
 See key below for available finish options

Features

- Finger touch dynamic height adjustment
- Recommended for worksurfaces 30" deep or less
- 24" height adjustment range - 3.6"-27.6" (low-high)
- 15.8" arm extension
- 5.8" arm retraction
- +45°/-30° monitor tilt
- +/-90° VESA rotation
- 3.5lb.-27lb. weight capacity (per arm, not to exceed a total of 60lb.)
- Max monitor width (bezel measured from left to right): 36.3"
- 16" pole height (includes base)
- VESA 75mm/100mm quick release
- RotationStop lock-out feature (14 distinct locations)
- Desk clamp and grommet mount included
- Meets or exceeds BIFMA x5.5 guidelines
- Warranty: Lifetime



RisingEX2-MS-9

Dual Motion + Slider Monitor Arm

Standard Finishes: **\$906**
 Premium Finishes: **\$1,174**
 In-Trend Finishes: **\$1,039**

MODEL # RSNEX2-MS-9-_-_-
 See key below for available finish options

Features

- Finger touch dynamic height adjustment
- Recommended for worksurfaces 30" deep or less
- 12.9" height adjustment range - 3.8"-18.7" (low-high)
- 15.8" arm extension
- 5.8" arm retraction
- +45°/-30° monitor tilt
- +/-90° VESA rotation
- 3.5lb.-27lb. weight capacity (per arm, not to exceed a total of 60lb.)
- Max monitor width (bezel measured from left to right): 36.3"
- 9" pole height (includes base)
- VESA 75mm/100mm quick release
- RotationStop lock-out feature (14 distinct locations)
- Desk clamp and grommet mount included
- Meets or exceeds BIFMA x5.5 guidelines
- Warranty: Lifetime



Available Finishes:

Standard Finishes

- Platinum - PLT
- Black - BLK
- Designer White - DWT

Premium Finishes

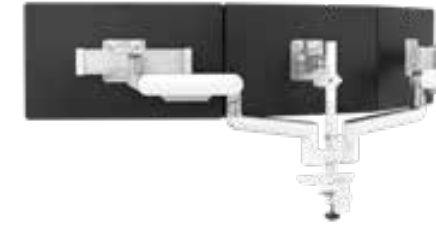
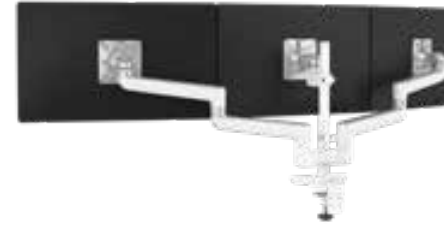
- Bronze/Black - BRZ
- Polished Aluminum/ Designer White - POL

In-Trend Finishes (LT)

- Azure - AZR
- Sage - SGE
- Stardust - STR
- Slate - SLT

* Minimum Order Quantity: 200
 Lead Time 10 weeks

Rising™EX3



RisingEX3-FF

Triple Fixed + Fixed Monitor Arm

Standard Finishes: **\$899**
 Premium Finishes: **\$1,057**
 In-Trend Finishes: **\$1,121**

MODEL # RSNEX3-FF-_-_-
 See key below for available finish options

Features

- Manual height adjustment
- Recommended for worksurfaces 30" deep or less
- 4.7" height adjustment range - 12.8"-17.5" (low-high)
- 23.3" arm extension
- 3.6" arm retraction
- +45°/-30° monitor tilt
- +/-90° VESA rotation
- 60lb. weight capacity
- Max monitor width (bezel measured from left to right): 23.4"
- VESA 75mm/100mm quick release
- RotationStop lock-out feature (14 distinct locations)
- Desk clamp and grommet mount included
- Meets or exceeds BIFMA x5.5 guidelines
- Warranty: Lifetime



RisingEX3-FMS

Triple Fixed + Motion + Slider Monitor Arm

Standard Finishes: **\$1,272**
 Premium Finishes: **\$1,604**
 In-Trend Finishes: **\$1,463**

MODEL # RSNEX3-FMS-_-_-
 See key below for available finish options

Features

- Finger touch dynamic height adjustment
- Recommended for worksurfaces 36" deep or less
- 10.7" height adjustment range - 6.8"-17.5" (low-high)
- 26.1" arm extension
- 5.8" arm retraction
- +45°/-30° monitor tilt
- +/-90° VESA rotation
- Up to 20lb. weight capacity (center arm)
- 3.5lb.-27lb. weight capacity (per outside arms, not to exceed a total of 60lb.)
- Max monitor width (bezel measured from left to right): 28.4"
- 16" pole height (includes base)
- VESA 75mm/100mm quick release
- RotationStop lock-out feature (14 distinct locations)
- Desk clamp and grommet mount included
- Meets or exceeds BIFMA x5.5 guidelines
- Warranty: Lifetime



Available Finishes:

Standard Finishes

- Platinum - PLT
- Black - BLK
- Designer White - DWT

Premium Finishes

- Bronze/Black - BRZ
- Polished Aluminum/ Designer White - POL

In-Trend Finishes (LT)

- Azure - AZR
- Sage - SGE
- Stardust - STR
- Slate - SLT

* Minimum Order Quantity: 200
 Lead Time 10 weeks

Rising™4



Available July 2025

RisingEX4-FF

Quad Fixed + Fixed Monitor Arm

Standard Finishes: **\$1,772**
 Premium Finishes: **\$2,063**
 In-Trend Finishes: **\$2,071**

MODEL # RSNSEX4-FF- _ _ _
 See key below for available finish options

Features

- Finger touch dynamic height adjustment
- Recommended for worksurfaces 36" deep or less
- 23.3" arm extension
- 3.6" arm retraction
- +45°/-30° monitor tilt
- +/-90° VESA rotation
- 22.5 lbs. weight capacity (per arm. Not to exceed a total of 90 lbs.)
- Max monitor width (bezel measured from left to right): 47"
- 28" pole height (includes base)
- VESA 75mm/100mm quick release
- RotationStop lock-out feature (14 distinct locations)
- Desk clamp included
- Meets or exceeds BIFMA x5.5 guidelines
- Lifetime Warranty



Available July 2025

RisingEX4-FM

Quad Fixed + Motion Monitor Arm

Standard Finishes: **\$2,080**
 Premium Finishes: **\$2,726**
 In-Trend Finishes: **\$2,425**

MODEL # RSNSEX4-FM- _ _ _
 See key below for available finish options

Features

- Finger touch dynamic height adjustment
- Recommended for worksurfaces 36" deep or less
- 11.7" height adjustment range - 6.6"-31.8" (low-high)
- 23.8" arm extension
- 3.5" arm retraction
- +45°/-30° monitor tilt
- +/-90° VESA rotation
- 4.5lb.-22.5lb. weight capacity (per arm. Not to exceed a total of 90 lbs.)
- Max monitor width (bezel measured from left to right): 48"
- 28" pole height (includes base)
- VESA 75mm/100mm quick release
- RotationStop lock-out feature (14 distinct locations)
- Desk clamp included
- Meets or exceeds BIFMA x5.5 guidelines
- Lifetime Warranty



Available Finishes:

Standard Finishes

- Platinum - PLT
- Black - BLK
- Designer White - DWT

Premium Finishes

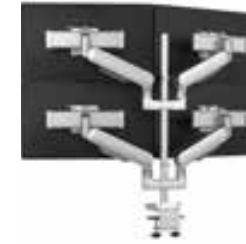
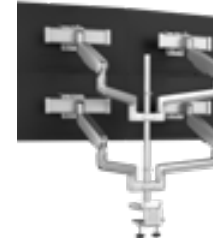
- Bronze/Black - BRZ
- Polished Aluminum/ Designer White - POL

In-Trend Finishes (LT)

- Azure - AZR
- Sage - SGE
- Stardust - STR
- Slate - SLT

* Minimum Order Quantity: 200
 Lead Time 10 weeks

Rising™4



Available July 2025

RisingEX4-FMS

Quad Fixed + Motion + Slider Monitor Arm

Standard Finishes: **\$2,166**
 Premium Finishes: **\$2,928**
 In-Trend Finishes: **\$2,617**

MODEL # RSNSEX4-FMS- _ _ _
 See key below for available finish options

Features

- Finger touch dynamic height adjustment
- Recommended for worksurfaces 36" deep or less
- 11.7" height adjustment range - 6.8"-32" (low-high)
- 23.8" arm extension
- 5.8" arm retraction
- +45°/-30° monitor tilt
- +/-90° VESA rotation
- 3.2lb.-21.2lb. weight capacity (per arm, not to exceed a total of 90lb.)
- Max monitor width (bezel measured from left to right): 56.9"
- 28" pole height (includes base)
- VESA 75mm/100mm quick release
- RotationStop lock-out feature (14 distinct locations)
- Desk clamp included
- Meets or exceeds BIFMA x5.5 guidelines
- Lifetime Warranty



Available July 2025

RisingEX4-MS

Quad Motion + Slider Monitor Arm

Standard Finishes: **\$1,875**
 Premium Finishes: **\$2,538**
 In-Trend Finishes: **\$2,189**

MODEL # RSNSEX4-MS- _ _ _
 See key below for available finish options

Features

- Finger touch dynamic height adjustment
- Recommended for worksurfaces 36" deep or less
- 11.7" height adjustment range - 6.8"-27.6" (low-high)
- 25.8" arm extension
- 5.8" arm retraction
- +45°/-30° monitor tilt
- +/-90° VESA rotation
- 3.2lb.-21.2lb. weight capacity (per arm, not to exceed a total of 90lb.)
- Max monitor width (bezel measured from left to right): 39.1"
- 28" pole height (includes base)
- VESA 75mm/100mm quick release
- RotationStop lock-out feature (14 distinct locations)
- Desk clamp included
- Meets or exceeds BIFMA x5.5 guidelines
- Lifetime Warranty



Available Finishes:

Standard Finishes

- Platinum - PLT
- Black - BLK
- Designer White - DWT

Premium Finishes

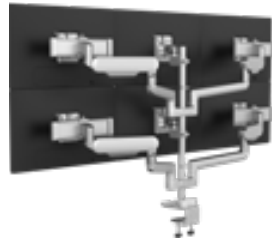
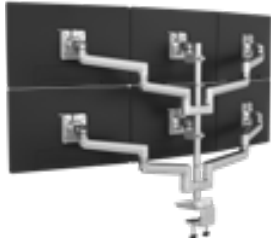
- Bronze/Black - BRZ
- Polished Aluminum/ Designer White - POL

In-Trend Finishes (LT)

- Azure - AZR
- Sage - SGE
- Stardust - STR
- Slate - SLT

* Minimum Order Quantity: 200
 Lead Time 10 weeks

Rising™6



Available July 2025

RisingEX6-FF

Six Fixed + Fixed Monitor Arm

Standard Finishes: **\$2,206**
 Premium Finishes: **\$2,410**
 In-Trend Finishes: **\$2,420**

MODEL # RSNEX6-FF- _ _ _
 See key below for available finish options

Features

- Manual height adjustment
- Recommended for worksurfaces 36" deep or less
- 23.3" arm extension
- 3.6" arm retraction
- +45°/-30° monitor tilt
- +/-90° VESA rotation
- Up to 15lb. weight capacity (*center arm*)
- 15lb. weight capacity (*per arm, not to exceed a total of 90lb.*)
- Max monitor width (*bezel measured from left to right*): 47"
- 28" pole height (*includes base*)
- VESA 75mm/100mm quick release
- RotationStop lock-out feature (*14 distinct locations*)
- Desk clamp included
- Meets or exceeds BIFMA x5.5 guidelines
- Lifetime Warranty



Available July 2025

RisingEX6-FMS

Six Fixed + Motion + Slider Monitor Arm

Standard Finishes: **\$2,470**
 Premium Finishes: **\$3,274**
 In-Trend Finishes: **\$3,262**

MODEL # RSNEX6-FMS- _ _ _
 See key below for available finish options

Features

- Finger touch dynamic height adjustment
- Recommended for worksurfaces 36" deep or less
- 11.7" height adjustment range - 6.8"-32" (*low-high*)
- 23.8" arm extension
- 5.8" arm retraction
- +45°/-30° monitor tilt
- +/-90° VESA rotation
- 3.2lb.-21.2lb. weight capacity (*per arm, not to exceed a total of 90lb.*)
- Max monitor width (*bezel measured from left to right*): 56.9"
- 28" pole height (*includes base*)
- VESA 75mm/100mm quick release
- RotationStop lock-out feature (*14 distinct locations*)
- Desk clamp included
- Meets or exceeds BIFMA x5.5 guidelines
- Lifetime Warranty



Available Finishes:

Standard Finishes

- Platinum - PLT
- Black - BLK
- Designer White - DWT

Premium Finishes

- Bronze/Black - BRZ
- Polished Aluminum/Designer White - POL

In-Trend Finishes (LT)

- Azure - AZR
- Sage - SGE
- Stardust - STR
- Slate - SLT

* Minimum Order Quantity: 200
 Lead Time 10 weeks

Monitor Arms

Rising ID™

Custom Color & Logo Program



Live Your Brand

With Fellowes exclusive Rising custom color and logo program, design one-of-a-kind Rising arms with creative freedom - including any configuration, logo, and colors - to strengthen your brand recognition, inspire your teams, and enhance your workspace.

Minimum Order Quantities & Pricing

A minimum order quantity of 200 pieces per design and configuration (model) is required. List pricing is determined by the configuration chosen and is inclusive of 3 custom colors, non-polished finish, logo if desired (configuration must include a motion arm), color samples, first articles for approval, and freight costs.

Note: Polished finish models incur a slight increase in pricing.

Rising ID™



	RSNG	RSNG2
Non-polished	\$923	\$1,661
Polished	\$1,114	\$2,005

Non-polished
Polished



	RSNGEX1-F	RSNGEX1-FF	RSNG1-FM	RSNG1-M	RSNG1-MS
Non-polished	\$699	\$851	\$996	\$858	\$1,177
Polished	\$799	\$983	\$1,219	\$1,034	\$1,231

Non-polished
Polished



	RSNGEX2-F	RSNGEX2-FS	RSNGEX2-FF	RSNGEX2-FM	RSNGEX2-FMS
Non-polished	\$1,125	\$1,271	\$1,457	\$1,770	\$1,914
Polished	\$1,264	\$1,405	\$1,690	\$2,152	\$2,293

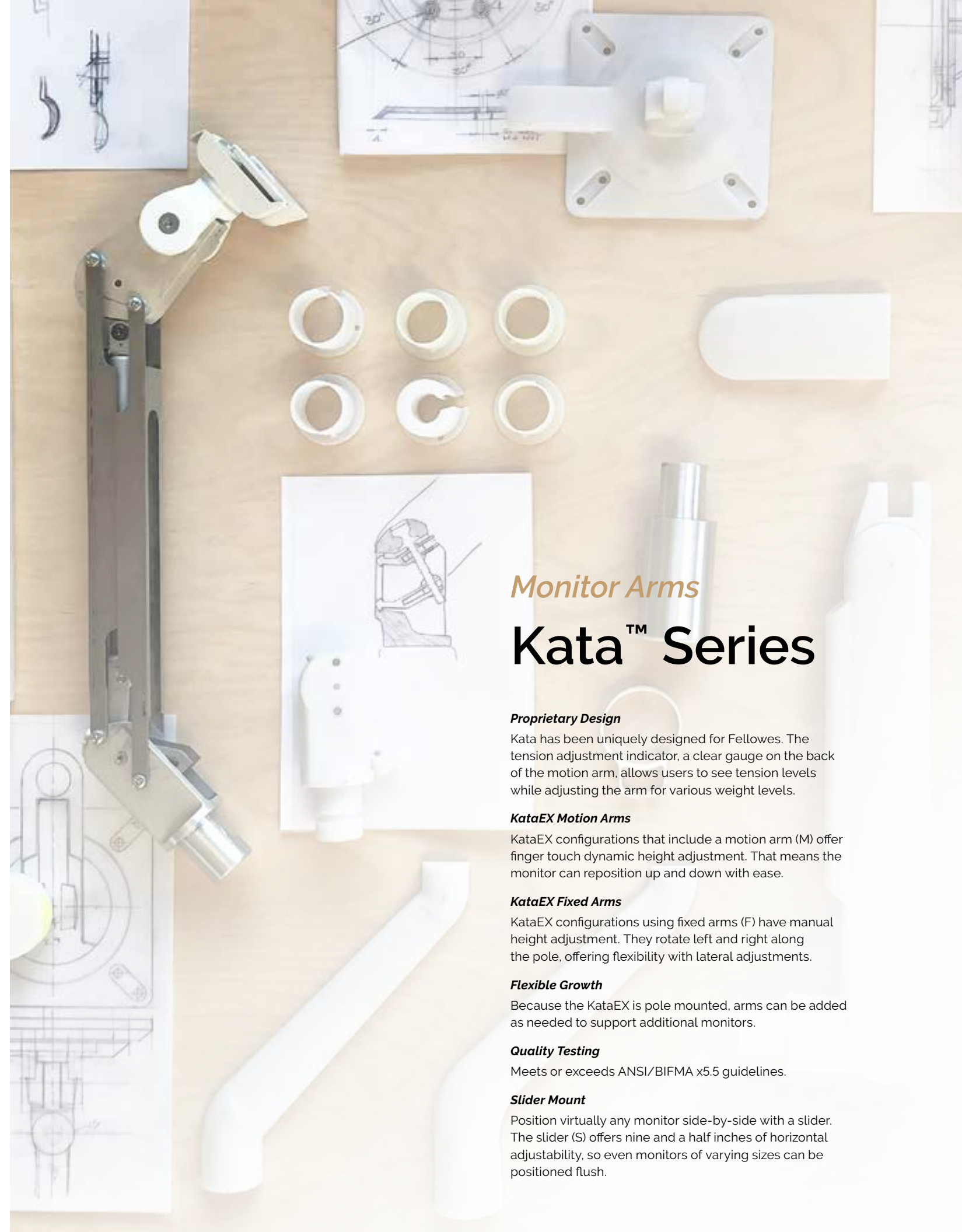
Non-polished
Polished



	RSNGEX2-M	RSNGEX2-MS	RSNGEX3-FF	RSNGEX3-FMS
Non-polished	\$1,448	\$1,588	\$1,699	\$2,156
Polished	\$1,742	\$1,879	\$1,943	\$2,553

Non-polished
Polished

Contact your Fellowes Contract Interiors Representative or our Customer Service Team at 800-833-3746 to learn more or to begin the process of designing your custom monitor arm.



Monitor Arms

Kata™ Series

Proprietary Design

Kata has been uniquely designed for Fellowes. The tension adjustment indicator, a clear gauge on the back of the motion arm, allows users to see tension levels while adjusting the arm for various weight levels.

KataEX Motion Arms

KataEX configurations that include a motion arm (M) offer finger touch dynamic height adjustment. That means the monitor can reposition up and down with ease.

KataEX Fixed Arms

KataEX configurations using fixed arms (F) have manual height adjustment. They rotate left and right along the pole, offering flexibility with lateral adjustments.

Flexible Growth

Because the KataEX is pole mounted, arms can be added as needed to support additional monitors.

Quality Testing

Meets or exceeds ANSI/BIFMA x5.5 guidelines.

Slider Mount

Position virtually any monitor side-by-side with a slider. The slider (S) offers nine and a half inches of horizontal adjustability, so even monitors of varying sizes can be positioned flush.

Kata™



KATA-DC

Kata

Single Monitor Arm

\$520

MODEL # KATA-DC- _ _ _
MODEL # KATA-GM- _ _ _
See key below for available finish options

Features

- Finger touch dynamic height adjustment
- Recommended for worksurfaces 36" deep or less
- 13.72" height adjustment range
- 7.79"-21.51" (low/high)
- 22.40" arm extension
- 3.46" arm retraction
- +90°/-25° monitor tilt
- ±90° VESA rotation
- 4lb.-20lb. weight capacity
- VESA 75mm/100mm quick release
- 180° lock-out feature
- Specify a grommet mount or a desk clamp mount
- Tension adjustment indicator for precision installation
- Partially assembled for quick installation
- Integrated cord management
- Integrated tool holder
- Warranty: Lifetime



Kata™2



KATA2-DC

Kata2

Dual Monitor Arm

\$978

MODEL # KATA2-DC- _ _ _
MODEL # KATA2-GM- _ _ _
See key below for available finish options

Features

- Finger touch dynamic height adjustment
- Recommended for worksurfaces 36" deep or less
- 13.72" height adjustment range
- 7.79"-21.47" (low/high)
- 22.41" arm extension
- 3.44" arm retraction
- +90°/-25° monitor tilt
- ±90° VESA rotation
- 4lb.-20lb. weight capacity (per arm)
- VESA 75mm/100mm quick release
- 180° lock-out feature
- Specify a grommet mount or a desk clamp mount
- Tension adjustment indicator for precision installation
- Partially assembled for quick installation
- Integrated cord management
- Integrated tool holder
- 42.04" max. monitor width
Bezel measured left to right.
Max. width is contingent on weight capacity.
- Warranty: Lifetime



Available Mounting Options:

- Desk Clamp – DC
- Grommet Mount – GM

Monitor Arm Key:

- Fixed Monitor Arm – F
- Motion Monitor Arm – M
- Slider Mount – S

Available Finishes:

- Silver – SLV
- Black – BLK
- White – WHT

Kata™2-MS



KATA2-MS-DC

Kata2-MS

Dual Monitor Arm

\$978

MODEL # KATA2-MS-DC- _ _ _
MODEL # KATA2-MS-GM- _ _ _
See key below for available finish options

Features

- Finger touch dynamic height adjustment
- Recommended for worksurfaces 30" deep or less
- 13.72" height adjustment range
- 3.53"-17.24" (low/high)
- 16.05" arm extension
- 6.36" arm retraction
- +90°/-25° monitor tilt
- ±90° VESA rotation
- 2.5 lb.-18.5 lb. weight capacity (per arm)
- VESA 75mm/100mm quick release
- 180° lock-out feature
- Specify a grommet mount or a desk clamp mount
- Tension adjustment indicator for precision installation
- Partially assembled for quick installation
- Integrated cord management
- Integrated tool holder
- 36.43" max. monitor width
Bezel measured left to right.
Max. width is contingent on weight capacity.
- Warranty: Lifetime



Kata™EX1



KATAEX1-DC-ST

KataEX-Stem

Single Short Fixed Monitor Arm

\$383

MODEL # KATAEX1-DC-ST- _ _ _
MODEL # KATAEX1-GM-ST- _ _ _
See key below for available finish options

Features

- Manual height adjustment
- Recommended for worksurfaces 24" deep or less
- 8.52" arm extension
- 4.27" arm retraction
- +90°/-45° monitor tilt
- ±90° VESA rotation
- Up to 20lb. weight capacity
- 15.99" pole height (includes base)
- VESA 75mm/100mm quick release
- Specify a grommet mount or a desk clamp mount
- Warranty: Lifetime



KATAEX1-DC-F

KataEX1-F

Single Fixed Monitor Arm

\$448

MODEL # KATAEX1-DC-F- _ _ _
MODEL # KATAEX1-GM-F- _ _ _
See key below for available finish options

Features

- Manual height adjustment
- Recommended for worksurfaces 30" deep or less
- 18.78" arm extension
- 4.27" arm retraction
- +90°/-45° monitor tilt
- ±90° VESA rotation
- Up to 20lb. weight capacity
- 15.99" pole height (includes base)
- VESA 75mm/100mm quick release
- 180° lock-out feature
- Specify a grommet mount or a desk clamp mount
- Warranty: Lifetime



Available Mounting Options:

- Desk Clamp – DC
- Grommet Mount – GM

Monitor Arm Key:

- Fixed Monitor Arm – F
- Motion Monitor Arm – M
- Slider Mount – S

Available Finishes:

- Silver – SLV
- White – WHT

Kata™EX1



KATAEX1-DC-FF

KataEX1-FF

Single Fixed + Fixed Monitor Arm

\$528

MODEL # KATAEX1-DC-FF-___
 MODEL # KATAEX1-GM-FF-___
 See key below for available finish options

Features

- Manual height adjustment
- Recommended for worksurfaces 36" deep or less
- 33.28" arm extension
- 4.27" arm retraction
- +90°/-45° monitor tilt
- ±90° VESA rotation
- Up to 20lb. weight capacity
- 15.99" pole height (includes base)
- VESA 75mm/100mm quick release
- 180° lock-out feature
- Specify a grommet mount or a desk clamp mount
- Warranty: Lifetime



KATAEX1-DC-FM

KataEX1-FM

Single Fixed + Motion Monitor Arm

\$647

MODEL # KATAEX1-DC-FM-___
 MODEL # KATAEX1-GM-FM-___
 See key below for available finish options

Features

- Finger touch dynamic height adjustment
- Recommended for worksurfaces 36" deep or less
- 29.52" arm extension
- 2.89" arm retraction
- +90°/-45° monitor tilt
- ±90° VESA rotation
- 4lb.-20lb. weight capacity
- 15.99" pole height (includes base)
- VESA 75mm/100mm quick release
- 180° lock-out feature
- Specify a grommet mount or a desk clamp mount
- Warranty: Lifetime



KATAEX1-DC-M

KataEX1-M

Single Motion Monitor Arm

\$568

MODEL # KATAEX1-DC-M-___
 MODEL # KATAEX1-GM-M-___
 See key below for available finish options

Features

- Finger touch dynamic height adjustment
- Recommended for worksurfaces 30" deep or less
- 19.26" arm extension
- 2.89" arm retraction
- +90°/-45° monitor tilt
- ±90° VESA rotation
- 4lb.-20lb. weight capacity
- 15.99" pole height (includes base)
- VESA 75mm/100mm quick release
- 180° lock-out feature
- Specify a grommet mount or a desk clamp mount
- Warranty: Lifetime



Kata™EX1



KATAEX1-DC-MS

KataEX1-MS

Single Motion + Slider Monitor Arm

\$645

MODEL # KATAEX1-DC-MS-___
 MODEL # KATAEX1-GM-MS-___
 See key below for available finish options

Features

- Finger touch dynamic height adjustment
- Recommended for worksurfaces 30" deep or less
- 20.33" arm extension
- 3.95" arm retraction
- +90°/-45° monitor tilt
- ±90° VESA rotation
- 2.5lb.-18.5lb. weight capacity
- 15.99" pole height (includes base)
- VESA 75mm/100mm quick release
- 180° lock-out feature
- Specify a grommet mount or a desk clamp mount
- Warranty: Lifetime



Customize the KataEX

As workstation needs change, so can the KataEX configurations. Additional components are sold separately:

- Motion Arms
- Fixed Arms
- Stem Arms
- 25.99" Pole (height includes base)
- Slider Mounts

Contact our Customer Service Department for compatibility and pricing for custom configurations.



KataEX Conversion Kit

\$492

MODEL # KATAEXKIT-1MS2MS-___
 Available in silver, black and white

Converts an existing KataEX1-MS single monitor arm to a KataEX2-MS dual arm.

Kit Includes:

- One Slider
- One Motion Arm
- One Arm Stem

Available Mounting Options:	Monitor Arm Key:	Available Finishes:
Desk Clamp – DC	Fixed Monitor Arm – F	○ Silver – SLV
Grommet Mount – GM	Motion Monitor Arm – M	○ White – WHT
	Slider Mount – S	

Available Mounting Options:	Monitor Arm Key:	Available Finishes:
Desk Clamp – DC	Fixed Monitor Arm – F	○ Silver – SLV
Grommet Mount – GM	Motion Monitor Arm – M	○ White – WHT
	Slider Mount – S	

Kata™EX2



KATAEX2-DC-F

KataEX2-F

Dual Fixed Monitor Arm

\$721

MODEL # KATAEX2-DC-F-_-_-

MODEL # KATAEX2-GM-F-_-_-

See key below for available finish options

Features

Manual height adjustment

Recommended for worksurfaces
30" deep or less

14.52" arm extension

5.12" arm retraction

+90°/-45° monitor tilt

±90° VESA rotation

Up to 20lb. weight capacity (per arm)

15.99" pole height (includes base)

VESA 75mm/100mm quick release

180° lock-out feature

Specify a grommet mount or a desk
clamp mount

29.04" max. monitor width

Bezel measured left to right.

Max. width is contingent on weight capacity.

Warranty: Lifetime



KATAEX2-DC-FF

KataEX2-FF

Dual Fixed + Fixed Monitor Arm

\$881

MODEL # KATAEX2-DC-FF-_-_-

MODEL # KATAEX2-GM-FF-_-_-

See key below for available finish options

Features

Manual height adjustment

Recommended for worksurfaces
36" deep or less

24.77" arm extension

5.12" arm retraction

+90°/-45° monitor tilt

±90° VESA rotation

Up to 20lb. weight capacity (per arm)

15.99" pole height (includes base)

VESA 75mm/100mm quick release

180° lock-out feature

Specify a grommet mount or a desk
clamp mount

49.54" max. monitor width

Bezel measured left to right.

Max. width is contingent on weight capacity.

Warranty: Lifetime



KATAEX2-DC-FS

KataEX2-FS

Dual Fixed + Slider Monitor Arm

\$899

MODEL # KATAEX2-DC-FS-_-_-

MODEL # KATAEX2-GM-FS-_-_-

See key below for available finish options

Features

Manual height adjustment

Recommended for worksurfaces
30" deep or less

15.58" arm extension

6.18" arm retraction

+90°/-45° monitor tilt

±90° VESA rotation

Up to 20lb. weight capacity (per arm)

15.99" pole height (includes base)

VESA 75mm/100mm quick release

180° lock-out feature

Specify a grommet mount or a desk
clamp mount

38.55" max. monitor width

Bezel measured left to right.

Max. width is contingent on weight capacity.

Warranty: Lifetime



Kata™EX2



KATAEX2-DC-FM

KataEX2-FM

Dual Fixed + Motion Monitor Arm

\$1,065

MODEL # KATAEX2-DC-FM-_-_-

MODEL # KATAEX2-GM-FM-_-_-

See key below for available finish options

Features

Finger touch dynamic height adjustment

Recommended for worksurfaces
36" deep or less

25.26" arm extension

3.49" arm retraction

+90°/-45° monitor tilt

±90° VESA rotation

4lb.-20lb. weight capacity (per arm)

15.99" pole height (includes base)

VESA 75mm/100mm quick release

180° lock-out feature

Specify a grommet mount or a desk
clamp mount

53.22" max. monitor width

Bezel measured left to right.

Max. width is contingent on weight capacity.

Warranty: Lifetime



KATAEX2-DC-FMS

KataEX2-FMS

Dual Fixed + Motion + Slider Monitor Arm

\$1,295

MODEL # KATAEX2-DC-FMS-_-_-

MODEL # KATAEX2-GM-FMS-_-_-

See key below for available finish options

Features

Finger touch dynamic height adjustment

Recommended for worksurfaces
36" deep or less

26.32" arm extension

4.91" arm retraction

+90°/-45° monitor tilt

±90° VESA rotation

2.5lb.-18.5lb. weight capacity (per arm)

15.99" pole height (includes base)

VESA 75mm/100mm quick release

180° lock-out feature

Specify a grommet mount or a desk
clamp mount

62.79" max. monitor width

Bezel measured left to right.

Max. width is contingent on weight capacity.

Warranty: Lifetime



Available Mounting Options:

Desk Clamp – DC

Grommet Mount – GM

Monitor Arm Key:

Fixed Monitor Arm – F

Motion Monitor Arm – M

Slider Mount – S

Available Finishes:

○ Silver – SLV

○ White – WHT

Available Mounting Options:

Desk Clamp – DC

Grommet Mount – GM

Monitor Arm Key:

Fixed Monitor Arm – F

Motion Monitor Arm – M

Slider Mount – S

Available Finishes:

○ Silver – SLV

○ White – WHT

Kata™EX2



KATAEX2-DC-M



KATAEX2-DC-MS

KataEX2-M

Dual Motion Monitor Arm

\$960

MODEL # KATAEX2-DC-M-___

MODEL # KATAEX2-GM-M-___

See key below for available finish options

Features

Finger touch dynamic height adjustment

Recommended for worksurfaces
30" deep or less

15.01" arm extension

3.39" arm retraction

+90°/-45° monitor tilt

±90° VESA rotation

4 lb.-20lb. weight capacity (per arm)

15.99" pole height (includes base)

VESA 75mm/100mm quick release

180° lock-out feature

Specify a grommet mount or a desk
clamp mount

32.72" max. monitor width

Bezel measured left to right.

Max. width is contingent on weight capacity.

Warranty: Lifetime



KataEX2-MS

Dual Motion + Slider Monitor Arm

\$1,137

MODEL # KATAEX2-DC-MS-___

MODEL # KATAEX2-GM-MS-___

See key below for available finish options

Features

Finger touch dynamic height adjustment

Recommended for worksurfaces
30" deep or less

16.07" arm extension

5.86" arm retraction

+90°/-45° monitor tilt

±90° VESA rotation

2.5 lb.-18.5 lb. weight capacity (per arm)

15.99" pole height (includes base)

VESA 75mm/100mm quick release

180° lock-out feature

Specify a grommet mount or a desk
clamp mount

42.29" max. monitor width

Bezel measured left to right.

Max. width is contingent on weight capacity.

Warranty: Lifetime



Customize the KataEX

As workstation needs change, so can the KataEX configurations. Additional components are sold separately:

- Motion Arms
- Fixed Arms
- Stem Arms
- 25.99" Pole (height includes base)
- Slider Mounts

Contact our Customer Service Department for compatibility and pricing for custom configurations.

Kata™EX3



KATAEX3-DC-FF



KATAEX3-DC-FMS

KataEX3-FF

Triple Fixed + Fixed Monitor Arm

\$1,075

MODEL # KATAEX3-DC-FF-___

MODEL # KATAEX3-GM-FF-___

See key below for available finish options

Features

Manual height adjustment

Recommended for worksurfaces
30" deep or less

24.77" outside arm extension

8.52" center arm extension

5.12" arm retraction

+90°/-45° monitor tilt

±90° VESA rotation

Up to 20lb. weight capacity (per arm)

15.99" pole height (includes base)

VESA 75mm/100mm quick release

180° lock-out feature

Specify a grommet mount or a desk
clamp mount

26.14" max. monitor width

Bezel measured left to right.

Max. width is contingent on weight capacity.

Warranty: Lifetime



KataEX3-FMS

Triple Fixed + Motion + Slider Monitor Arm

\$1,488

MODEL # KATAEX3-DC-FMS-___

MODEL # KATAEX3-GM-FMS-___

See key below for available finish options

Features

Finger touch dynamic height adjustment

Recommended for worksurfaces
30" deep or less

26.32" outside arm extension

8.52" center arm extension

4.91" arm retraction

+90°/-45° monitor tilt

(slider & standard mount)

±90° VESA rotation

Up to 20lb. weight capacity (center arm)

2.5 lb.-18.5 lb. weight capacity

(per outside arm)

15.99" pole height (includes base)

VESA 75mm/100mm quick release

180° lock-out feature

Specify a grommet mount or a desk
clamp mount

26.63" max. monitor width

Bezel measured left to right.

Max. width is contingent on weight capacity.

Warranty: Lifetime



Available Mounting Options:

Desk Clamp – DC

Grommet Mount – GM

Monitor Arm Key:

Fixed Monitor Arm – F

Motion Monitor Arm – M

Slider Mount – S

Available Finishes:

○ Silver – SLV

○ White – WHT

Available Mounting Options:

Desk Clamp – DC

Grommet Mount – GM

Monitor Arm Key:

Fixed Monitor Arm – F

Motion Monitor Arm – M

Slider Mount – S

Available Finishes:

○ Silver – SLV

○ White – WHT

Kata™EX4



KATAEX4-DC-FF

KataEX4-FF

Quad Fixed + Fixed Monitor Arm

\$1,601

MODEL # KATAEX4-DC-FF- _ _ _
See key below for available finish options
Grommet mount not available for this configuration

Features

- Manual height adjustment
- Recommended for worksurfaces 36" deep or less
- 24.77" arm extension
- 5.12" arm retraction
- +90°/-45° monitor tilt
- ±90° VESA rotation
- Up to 20lb. weight capacity (per arm)
- 25.99" pole height (includes base)
- VESA 75mm/100mm quick release
- 180° lock-out feature
- Desk clamp mount only
- 49.54" max. monitor width
Bezel measured left to right.
Max. width is contingent on weight capacity.
Note: monitor height/weight might limit size.
- Warranty: Lifetime



KATAEX4-DC-FM

KataEX4-FM

Quad Fixed + Motion Monitor Arm

\$2,075

MODEL # KATAEX4-DC-FM- _ _ _
See key below for available finish options
Grommet mount not available for this configuration

Features

- Finger touch dynamic height adjustment
- Recommended for worksurfaces 36" deep or less
- 25.26" arm extension
- 3.49" arm retraction
- +90°/-45° monitor tilt
- ±90° VESA rotation
- 4lb.-20lb. weight capacity (per arm)
- 25.99" pole height (includes base)
- VESA 75mm/100mm quick release
- 180° lock-out feature
- Desk clamp mount only
- 53.22" max. monitor width
Bezel measured left to right. Max. width is contingent on weight capacity.
Note: monitor height/weight might limit size.
- Warranty: Lifetime



KATAEX4-DC-FMS

KataEX4-FMS

Quad Fixed + Motion + Slider Monitor Arm

\$2,430

MODEL # KATAEX4-DC-FMS- _ _ _
See key below for available finish options
Grommet mount not available for this configuration

Features

- Finger touch dynamic height adjustment
- Recommended for worksurfaces 36" deep or less
- 25.26" arm extension
- 3.49" arm retraction
- +90°/-45° monitor tilt
- ±90° VESA rotation
- 2.5lb.-18.5lb. weight capacity (per arm)
- 25.99" pole height (includes base)
- VESA 75mm/100mm quick release
- 180° lock-out feature
- Desk clamp mount only
- 53.22" max. monitor width
Bezel measured left to right.
Max. width is contingent on weight capacity.
Note: monitor height/weight might limit size.
- Warranty: Lifetime



Kata™EX4



KATAEX4-DC-MS

KataEX4-MS

Quad Motion + Slider Monitor Arm

\$2,111

MODEL # KATAEX4-DC-MS- _ _ _
See key below for available finish options
Grommet mount not available for this configuration

Features

- Finger touch dynamic height adjustment
- Recommended for worksurfaces 30" deep or less
- 16.07" arm extension
- 5.86" arm retraction
- +90°/-45° monitor tilt
- ±90° VESA rotation
- 2.5 lb.-18.5lb. weight capacity (per arm)
- 25.99" pole height (includes base)
- VESA 75mm/100mm quick release
- 180° lock-out feature
- Desk clamp mount only
- 42.29" max. monitor width
Bezel measured left to right.
Max. width is contingent on weight capacity.
Note: monitor height/weight might limit size.
- Warranty: Lifetime



Customize the KataEX

As workstation needs change, so can the KataEX configurations. Additional components are sold separately:

- Motion Arms
- Fixed Arms
- Stem Arms
- 15.99" Pole (height includes base)
- Slider Mounts

Contact our Customer Service Department for compatibility and pricing for custom configurations.

Monitor Arm Key:

- Fixed Monitor Arm – F
- Motion Monitor Arm – M
- Slider Mount – S

Available Finishes:

- Silver – SLV
- White – WHT

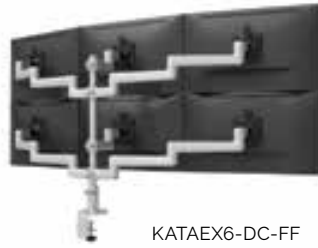
Monitor Arm Key:

- Fixed Monitor Arm – F
- Motion Monitor Arm – M
- Slider Mount – S

Available Finishes:

- Silver – SLV
- White – WHT

Kata™ EX6



KATAEX6-DC-FF

KataEX6-FF

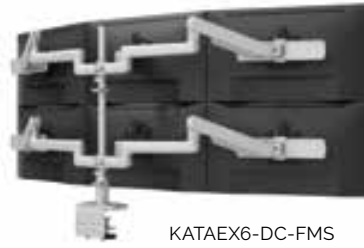
Six Fixed + Fixed Monitor Arm

\$1,988

MODEL # KATAEX6-DC-FF- _ _ _
See key below for available finish options
Grommet mount not available for this configuration

Features

- Manual height adjustment
- Recommended for worksurfaces 30" deep or less
- 24.77" outside arm extension
- 8.52" center arm extension
- 5.12" arm retraction
- +90°/-45° monitor tilt
- ±90° VESA rotation
- Up to 20lb. weight capacity (per arm)
- 25.99" pole height (includes base)
- VESA 75mm/100mm quick release
- 180° lock-out feature
- Desk clamp mount only
- 26.14" max. monitor width
Bezel measured left to right.
Max. width is contingent on weight capacity.
Note: monitor height/weight might limit size.
- Warranty: Lifetime



KATAEX6-DC-FMS

KataEX6-FMS

Six Fixed + Motion + Slider Monitor Arm

\$2,816

MODEL # KATAEX6-DC-FMS- _ _ _
See key below for available finish options
Grommet mount not available for this configuration

Features

- Finger touch dynamic height adjustment
- Recommended for worksurfaces 30" deep or less
- 26.32" outside arm extension
- 8.52" center arm extension
- 4.91" arm retraction
- +90°/-45° monitor tilt
(slider & standard mounts)
- ±90° VESA rotation
- Up to 20lb. weight capacity (per center arm)
- 2.5 lb.-18.5 lb. weight capacity (per outside arm)
- 25.99" pole height (includes base)
- VESA 75mm/100mm quick release
- 180° lock-out feature
- Desk clamp mount only
- 26.63" max. monitor width
Bezel measured left to right.
Max. width is contingent on weight capacity.
Note: monitor height/weight might limit size.
- Warranty: Lifetime



Monitor Arm Key:

- Fixed Monitor Arm – F
- Motion Monitor Arm – M
- Slider Mount – S

Available Finishes:

- Silver – SLV
- White – WHT



Monitor Arms

Edge® Series

180° Lock-Out

Prevents the arm from getting pushed back too far into a rear cubicle wall or glass.

VESA Quick Release

Quickly install and swap monitors with the quick release VESA plate.

Conversion

Reuse most of the parts in your single Edge arm when you convert up to the dual Edge2 with our simple kit. Conversion kit sold separately.

Quality Testing

Meets or exceeds BIFMA x5.5 guidelines.

Edge®



EDGE

Edge

Single Monitor Arm

\$487

MODEL # EDGE- _ _ _

See key below for available finish options

Features

Finger touch dynamic height adjustment

Recommended for worksurfaces

36" deep or less

12.09" height adjustment range

- 7.68"-19.78" (low/high)

21.55" arm extension

3.22" arm retraction

±90° monitor tilt

±90° VESA rotation

6.5 lb.-176 lb. weight capacity

VESA 75mm/100mm quick release

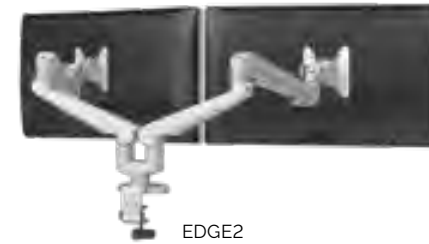
180° lock-out feature

Desk clamp and grommet mount included

Warranty: Lifetime



Edge®2



EDGE2

Edge2

Dual Monitor Arm

\$916

MODEL # EDGE2- _ _ _

See key below for available finish options

Features

Finger touch dynamic height adjustment

Recommended for worksurfaces

36" deep or less

12.09" height adjustment range

- 7.68"-19" (low/high)

21.55" arm extension

3.22" arm retraction

±90° monitor tilt

±90° VESA rotation

6.5 lb.-176 lb. weight capacity (per arm)

VESA 75mm/100mm quick release

180° lock-out feature

Desk clamp and grommet mount included

41.08" max. monitor width

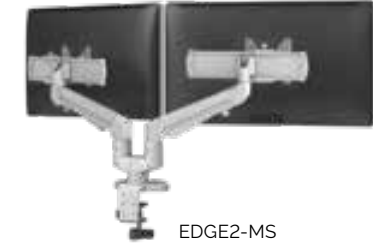
Bezel measured left to right.

Max width is contingent on weight capacity.

Warranty: Lifetime



Edge®2-MS



EDGE2-MS

Edge2-MS

Dual Monitor Arm

\$916

MODEL # EDGE2-MS- _ _ _

See key below for available finish options

Features

Finger touch dynamic height adjustment

Recommended for worksurfaces

30" deep or less

10.58" height adjustment range

- 3.76"-14.34" (low/high)

15.41" arm extension

5.74" arm retraction

+80°/-60° monitor tilt

±90° VESA rotation

4.4 lb.-15.4 lb. weight capacity (per arm)

VESA 75mm/100mm quick release

180° lock-out feature

Desk clamp and grommet mount included

28" max. monitor width

Bezel measured left to right.

Max. width is contingent on weight capacity.

Warranty: Lifetime



Edge2 Conversion Kit

\$495

MODEL # EDGE2KIT- _ _ _

Available in silver, black and white

Converts an existing Edge single monitor arm to an Edge2 dual arm

Kit Includes:

- One Fixed Arm
- One Motion Arm
- One Dual Base
- One Clamp Mount
- One Grommet Mount

Available Finishes:

- Silver - SLV
- Black - BLK
- White - WHT

Monitor Arm Key:

- Fixed Monitor Arm - F
- Motion Monitor Arm - M
- Slider Mount - S

Available Finishes:

- Silver - SLV
- Black - BLK
- White - WHT

Edge[®]2-Max



EDGE2-MAX

Edge2-Max

Dual Monitor Arm

\$939

MODEL #EDGE2-MAX- _ _ _

See key below for available finish options

Features

Finger touch dynamic height adjustment

Recommended for worksurfaces
36" deep or less

14.14" height adjustment range
- 9.52"-22.8" (low/high)

28.51" arm extension

7.5" arm retraction

±55° monitor tilt

±90° VESA rotation

12lb.-38.5lb. weight capacity
(combined weight of both monitors)

180° lock-out feature

Desk clamp and grommet mount included

25.18" max. monitor width

Bezel measured left to right.

Max. width is contingent on weight capacity.

Warranty: Lifetime



Edge[®]2Combo



EDGE2-COMBO

Edge2Combo

Edge2 + LTH-Edge

\$1,168

MODEL # EDGE2-COMBO-SLV

Features

Finger touch dynamic height adjustment

Recommended for worksurfaces
36" deep or less

12.09" height adjustment range
- 7.68"-19" (low/high)

21.55" arm extension

±90°/-25 monitor tilt

±90° VESA rotation

6.5lb.-17.6lb. weight capacity
(monitor supporting arm)

1.1 lb.-12.2lb. weight capacity
(laptop supporting arm)

VESA 75mm/100mm quick release

180° lock-out feature

Desk clamp and grommet mount included

41.08" max. monitor width

Bezel measured left to right.

Max. width is contingent on weight capacity.

Warranty: Lifetime



Edge[®]-Max



EDGE-MAX

Edge-Max

Heavy Duty Single Monitor Arm

\$737

MODEL # EDGE-MAX- _ _ _

See key below for available finish options

Features

Finger touch dynamic height adjustment

Recommended for worksurfaces
36" deep or less

Recommended for heavy monitors

14.04" height adjustment range
- 9.2"-23.3" (low/high)

25.19" arm extension

4.15" arm retraction

+85°/-35° monitor tilt

±90° VESA rotation

17.6lb.-42lb. weight capacity

VESA 75mm/100mm quick release

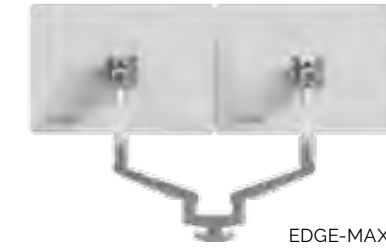
180° lock-out feature

Desk clamp and grommet mount included

Warranty: Lifetime



Edge[®]-Max-Dual



EDGE-MAX-DUAL

Edge-Max-Dual

Heavy Duty Dual Monitor Arm

\$1,473

MODEL # EDGE-MAX-DUAL-SLV

Features

Finger touch dynamic height adjustment

Recommended for worksurfaces
36" deep or less

Recommended for heavy monitors

14.16" height adjustment range
- 9.89"-24.05" (low/high)

25.18" arm extension

4.14" arm retraction

+85°/-35° monitor tilt

±90° VESA rotation

17.6lb.-42lb. weight capacity

(per arm)

VESA 75mm/100mm quick release

180° lock-out feature

Desk clamp and grommet mount included

51.18" max. monitor width

Bezel measured left to right.

Max. width is contingent on weight capacity.

Warranty: Lifetime



Edge-Max Dual Conversion Kit

\$738

MODEL # EDGE-MAX-DUAL-KIT

Converts an existing Edge-Max single monitor arm to an Edge-Max-Dual arm

Kit Includes:

- One Fixed Arm
- One Motion Arm
- One Dual Base
- One Clamp Mount
- One Grommet Mount

Available Finishes:

- Silver - SLV
- Black - BLK
- White - WHT

Available Finishes:

- Silver - SLV

Available Finishes:

- Silver - SLV
- Black - BLK

Available Finishes:

- Silver - SLV

Edge®-Wall



Edge-Wall

Heavy Duty, Wall-Mounted Single Monitor Arm

\$487

MODEL # EDGE-WALL-SLV

Features

- Finger touch dynamic height adjustment
- For wall mount applications
- 12" height adjustment range
- 22" arm extension
- 2.6" arm retraction
- +90°/-25° monitor tilt
- ±90° VESA rotation
- 6.5lb.-17.6lb. weight capacity
- VESA 75mm/100mm quick release
- Warranty: Lifetime



Edge®-Slat



Edge-Slat

Heavy Duty, Slat-Mounted Single Monitor Arm

\$493

MODEL # EDGE-SLAT-SLV

Features

- Finger touch dynamic height adjustment
- For slat wall applications 0.8"-2.8" wide (slat wall not included, shown for illustration purposes only)
- 12" height adjustment range
- 13" arm extension
- 2.6" arm retraction
- +90°/-25° monitor tilt
- ±90° VESA rotation
- 6.5lb.-17.6lb. weight capacity
- VESA 75mm/100mm quick release
- Warranty: Lifetime



Available Finishes:

- Silver - SLV

Monitor Arms

Evolve Series



Evolve Motion Arms

Evolve configurations that include a motion arm (M) offer finger touch dynamic height adjustment. That means the monitor can reposition up and down with ease.

Evolve Fixed Arms

Evolve configurations using fixed arms (F) have manual height adjustment. They rotate left and right along the pole, offering flexibility with lateral adjustments.

Flexible Growth

Because the Evolve is pole mounted, arms can be added as needed to support additional monitors.

Quality Testing

Meets or exceeds BIFMA x5.5 guidelines.

Slider Mount

Position virtually any monitor side-by-side with a slider. The slider (S) offers eight and a half inches of horizontal adjustability, so even monitors of varying sizes can be positioned flush.

Evolve1



EVOLVE-STUBBY

Evolve Stubby

Single Short Fixed Monitor Arm

\$346

MODEL # EVOLVE-STUBBY- _ _ _
See key below for available finish options

Features

- Manual height adjustment
- Recommended for worksurfaces 24" deep or less
- 8" arm extension
- 8" arm retraction
- +90°/-25° monitor tilt
- ±90° VESA rotation
- Up to 20lb. weight capacity
- 19.7" pole height (includes base)
- VESA 75mm/100mm quick release
- Desk clamp and grommet mount included
- Warranty: Lifetime



Evolve1-F

Evolve1-F

Single Fixed Monitor Arm

\$421

MODEL # EVOLVE1-F- _ _ _
See key below for available finish options

Features

- Manual height adjustment
- Recommended for worksurfaces 30" deep or less
- 12.82" arm extension
- 2.55" arm retraction
- +90°/-25° monitor tilt
- ±90° VESA rotation
- Up to 20lb. weight capacity
- 19.70" pole height (includes base)
- VESA 75mm/100mm quick release
- 180° lock-out feature
- Desk clamp and grommet mount included
- Warranty: Lifetime



EVOLVE1-FF

Evolve1-FF

Single Fixed + Fixed Monitor Arm

\$494

MODEL # EVOLVE1-FF- _ _ _
See key below for available finish options

Features

- Manual height adjustment
- Recommended for worksurfaces 36" deep or less
- 23.10" arm extension
- 2.55" arm retraction
- +90°/-25° monitor tilt
- ±90° VESA rotation
- Up to 20lb. weight capacity
- 19.70" pole height (includes base)
- VESA 75mm/100mm quick release
- 180° lock-out feature
- Desk clamp and grommet mount included
- Warranty: Lifetime



EVOLVE1-FM

Evolve1-FM

Single Fixed + Motion Monitor Arm

\$606

MODEL # EVOLVE1-FM- _ _ _
See key below for available finish options

Features

- Finger touch dynamic height adjustment
- Recommended for worksurfaces 36" deep or less
- 23.17" arm extension
- 2.55" arm retraction
- +90°/-25° monitor tilt
- ±90° VESA rotation
- 6.5lb.-176lb. weight capacity
- 19.7" pole height (includes base)
- VESA 75mm/100mm quick release
- 180° lock-out feature
- Desk clamp and grommet mount included
- Warranty: Lifetime



EVOLVE1-M

Evolve1-M

Single Motion Monitor Arm

\$530

MODEL # EVOLVE1-M- _ _ _
See key below for available finish options

Features

- Finger touch dynamic height adjustment
- Recommended for worksurfaces 30" deep or less
- 12.89" arm extension
- 2.55" arm retraction
- +90°/-25° monitor tilt
- ±90° VESA rotation
- 6.5 lb.-176 lb. weight capacity
- 19.7" pole height (includes base)
- VESA 75mm/100mm quick release
- 180° lock-out feature
- Desk clamp and grommet mount included
- Warranty: Lifetime



Monitor Arm Key:

- Fixed Monitor Arm – F
- Motion Monitor Arm – M
- Slider Mount – S

Available Finishes:

- Silver – SLV
- Black – BLK
- White – WHT

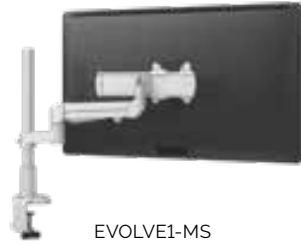
Monitor Arm Key:

- Fixed Monitor Arm – F
- Motion Monitor Arm – M
- Slider Mount – S

Available Finishes:

- Silver – SLV
- Black – BLK
- White – WHT

Evolve1



EVOLVE1-MS

Evolve1-MS

Single Motion + Slider Monitor Arm

\$605

MODEL # EVOLVE1-MS- _ _ _

See key below for available finish options

Features

Finger touch dynamic height adjustment

Recommended for worksurfaces

30" deep or less

15.41" arm extension

5.07" arm retraction

+80°/-60° monitor tilt

±90° VESA rotation

4.4lb.-15.4lb. weight capacity

19.7" pole height (includes base)

VESA 75mm/100mm quick release

180° lock-out feature

Desk clamp and grommet mount included

Warranty: Lifetime



Evolve2



EVOLVE2-F

Evolve2-F

Dual Fixed Monitor Arm

\$676

MODEL # EVOLVE2-F- _ _ _

See key below for available finish options

Features

Manual height adjustment

Recommended for worksurfaces

30" deep or less

18.2" arm extension

4.1" arm retraction

+90°/-25° monitor tilt

±90° VESA rotation

Up to 20lb. weight capacity (per arm)

19.70" pole height (includes base)

VESA 75mm/100mm quick release

180° lock-out feature

Desk clamp and grommet mount included

28" max. monitor width

Bezel measured left to right.

Max. width is contingent on weight capacity.

Warranty: Lifetime



EVOLVE2-FF

Evolve2-FF

Dual Fixed + Fixed Monitor Arm

\$825

MODEL # EVOLVE2-FF- _ _ _

See key below for available finish options

Features

Manual height adjustment

Recommended for worksurfaces

36" deep or less

23.1" arm extension

3.4" arm retraction

+90°/-25° monitor tilt

±90° VESA rotation

Up to 20lb. weight capacity (per arm)

19.7" pole height (includes base)

VESA 75mm/100mm quick release

180° lock-out feature

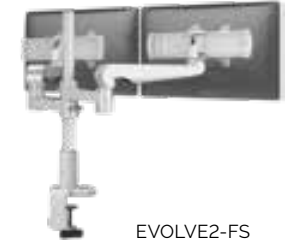
Desk clamp and grommet mount included

48.98" max. monitor width

Bezel measured left to right.

Max. width is contingent on weight capacity.

Warranty: Lifetime



EVOLVE2-FS

Evolve2-FS

Dual Fixed + Slider Monitor Arm

\$841

MODEL # EVOLVE2-FS- _ _ _

See key below for available finish options

Features

Manual height adjustment

Recommended for worksurfaces

30" deep or less

15.35" arm extension

5.74" arm retraction

+80°/-60° monitor tilt

±90° VESA rotation

Up to 18.5lb. weight capacity (per arm)

19.7" pole height (includes base)

VESA 75mm/100mm quick release

180° lock-out feature

Desk clamp and grommet mount included

37.01" max. monitor width

Bezel measured left to right.

Max. width is contingent on weight capacity.

Warranty: Lifetime



Customize the Evolve

As workstation needs change, so can the Evolve configurations. Additional components are sold separately:

- Motion Arms
- Fixed Arms
- Stem Arms
- 29.7" Pole (height includes base)
- Slider Mounts

Contact our Customer Service Department for compatibility and pricing for custom configurations.



Evolve Conversion Kit

\$458

MODEL # EVOLVEKIT-1MS2MS- _ _ _

Available in silver, black and white

Converts an existing Evolve-MS single monitor arm to a Evolve2-MS dual arm.

Kit Includes:

- One Slider
- One Motion Arm
- One Arm Stem

Monitor Arm Key:

Fixed Monitor Arm – F

Motion Monitor Arm – M

Slider Mount – S

Available Finishes:

○ Silver – SLV

● Black – BLK

○ White – WHT

Monitor Arm Key:

Fixed Monitor Arm – F

Motion Monitor Arm – M

Slider Mount – S

Available Finishes:

○ Silver – SLV

● Black – BLK

○ White – WHT

Evolve2



EVOLVE2

Evolve2-FM

Dual Fixed + Motion Monitor Arm

\$997

MODEL # EVOLVE2-FM- _ _ _

See key below for available finish options

Features

Finger touch dynamic height adjustment

Recommended for worksurfaces

36" deep or less

23.17" arm extension

3.22" arm retraction

+90°/-25° monitor tilt

±90° VESA rotation

6.5lb.-17.6lb. weight capacity (per arm)

19.7" pole height (includes base)

VESA 75mm/100mm quick release

180° lock-out feature

Desk clamp and grommet mount included

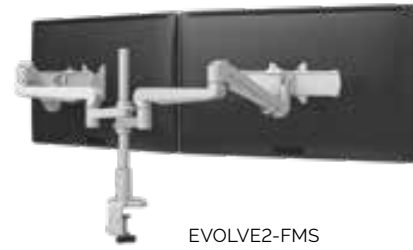
49.11" max. monitor width

Bezel measured left to right.

Max. width is contingent on

weight capacity.

Warranty: Lifetime



EVOLVE2-FMS

Evolve2-FMS

Dual Fixed + Motion + Slider Monitor Arm

\$1,212

MODEL # EVOLVE2-FMS- _ _ _

See key below for available finish options

Features

Finger touch dynamic height adjustment

Recommended for worksurfaces

36" deep or less

25.69" arm extension

5.74" arm retraction

+80°/-60° monitor tilt

±90° VESA rotation

4.4lb.-15.4lb. weight capacity (per arm)

19.7" pole height (includes base)

VESA 75mm/100mm quick release

180° lock-out feature

Desk clamp and grommet

mount included

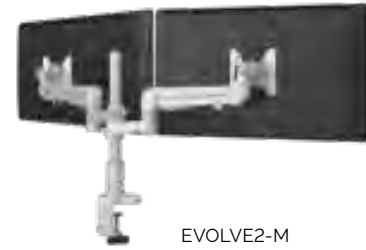
57.69" max. monitor width

Bezel measured left to right.

Max. width is contingent on

weight capacity.

Warranty: Lifetime



EVOLVE2-M

Evolve2-M

Dual Motion Monitor Arm

\$898

MODEL # EVOLVE2-M- _ _ _

See key below for available finish options

Features

Finger touch dynamic height adjustment

Recommended for worksurfaces

30" deep or less

18.4" arm extension

4.1" arm retraction

+90°/-25° monitor tilt

±90° VESA rotation

6.5lb.-17.6lb. weight capacity (per arm)

19.7" pole height (includes base)

VESA 75mm/100mm quick release

180° lock-out feature

Desk clamp and grommet

mount included

28.0" max. monitor width

Bezel measured left to right.

Max. width is contingent on

weight capacity.

Warranty: Lifetime



Evolve2



EVOLVE2-MS

Evolve2-MS

Dual Motion + Slider Monitor Arm

\$1,065

MODEL # EVOLVE2-MS- _ _ _

See key below for available finish options

Features

Finger touch dynamic height adjustment

Recommended for worksurfaces

30" deep or less

15.41" arm extension

5.74" arm retraction

+80°/-60° monitor tilt

±90° VESA rotation

4.4lb.-15.4lb. weight capacity (per arm)

19.7" pole height (includes base)

VESA 75mm/100mm quick release

180° lock-out feature

Desk clamp and grommet mount included

37.14" max. monitor width

Bezel measured left to right.

Max. width is contingent on

weight capacity.

Warranty: Lifetime



Customize the Evolve

As workstation needs change, so can the Evolve configurations. Additional components are sold separately:

- Motion Arms
- Fixed Arms
- Stem Arms
- 29.7" Pole (height includes base)
- Slider Mounts

Contact our Customer Service Department for compatibility and pricing for custom configurations.

Monitor Arm Key:

Fixed Monitor Arm – F

Motion Monitor Arm – M

Slider Mount – S

Available Finishes:

○ Silver – SLV

● Black – BLK

○ White – WHT

Monitor Arm Key:

Fixed Monitor Arm – F

Motion Monitor Arm – M

Slider Mount – S

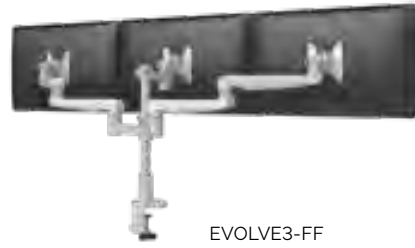
Available Finishes:

○ Silver – SLV

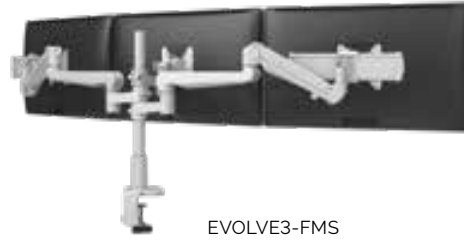
● Black – BLK

○ White – WHT

Evolve3



EVOLVE3-FF



EVOLVE3-FMS

Evolve3-FF

Triple Fixed + Fixed Monitor Arm

\$1,005

MODEL # EVOLVE3-FF- _ _ _

See key below for available finish options

Features

- Manual height adjustment
- Recommended for worksurfaces 30" deep or less
- 23.1" outside arm extension
- 6.48" center arm extension
- 3.4" arm retraction
- +90°/-25° monitor tilt
- ±90° VESA rotation
- Up to 20lb. weight capacity (per arm)
- 19.7" pole height (includes base)
- VESA 75mm/100mm quick release
- 180° lock-out feature
- Desk clamp and grommet mount included
- 24.11" max. monitor width
*Bezel measured left to right.
Max. width is contingent on weight capacity.*
- Warranty: Lifetime



Evolve3-FMS

Triple Fixed + Motion + Slider Monitor Arm

\$1,394

MODEL # EVOLVE3-FMS- _ _ _

See key below for available finish options

Features

- Finger touch dynamic height adjustment
- Recommended for worksurfaces 30" deep or less
- 25.69" outside arm extension
- 6.48" center arm extension
- 5.74" arm retraction
- +80°/-60° monitor tilt (slider mount)
- +90°/-25° monitor tilt (center mount)
- ±90° VESA rotation
- Up to 20lb. weight capacity (center arm)
- 4.4lb.-15.4lb. weight capacity (per outside arm)
- 19.7" pole height (includes base)
- VESA 75mm/100mm quick release
- 180° lock-out feature
- Desk clamp and grommet mount included
- 28.80" max. monitor width
*Bezel measured left to right.
Max. width is contingent on weight capacity.*
- Warranty: Lifetime



Customize the Evolve

As workstation needs change, so can the Evolve configurations. Additional components are sold separately:

- Motion Arms
- Fixed Arms
- Stem Arms
- 29.7" Pole (height includes base)
- Slider Mounts

Contact our Customer Service Department for compatibility and pricing for custom configurations.

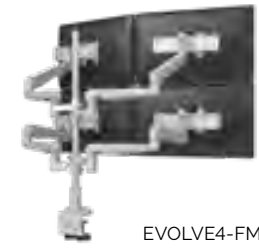
Evolve4



EVOLVE4-FF



EVOLVE4-FM



EVOLVE4-FMS

Evolve4-FF

Quad Fixed + Fixed Monitor Arm

\$1,500

MODEL # EVOLVE4-FF- _ _ _

See key below for available finish options

Features

- Manual height adjustment
- Recommended for worksurfaces 36" deep or less
- 23.1" arm extension
- 2.55" arm retraction
- +90°/-25° monitor tilt
- ±90° VESA rotation
- Up to 20lb. weight capacity (per arm)
- 29.70" pole height (includes base)
- VESA 75mm/100mm quick release
- 180° lock-out feature
- Desk clamp and grommet mount included
- 48.98" max. monitor width
*Bezel measured left to right.
Max. width is contingent on weight capacity.
Note: monitor height/weight might limit size.*
- Warranty: Lifetime



Evolve4-FM

Quad Fixed + Motion Monitor Arm

\$1,942

MODEL # EVOLVE4-FM- _ _ _

See key below for available finish options

Features

- Finger touch dynamic height adjustment
- Recommended for worksurfaces 36" deep or less
- 23.17" arm extension
- 2.55" arm retraction
- +90°/-25° monitor tilt
- ±90° VESA rotation
- 6.5lb.-17.6lb. weight capacity (per arm)
- 29.7" pole height (includes base)
- VESA 75mm/100mm quick release
- 180° lock-out feature
- Desk clamp and grommet mount included
- 49.11" max. monitor width
*Bezel measured left to right.
Max. width is contingent on weight capacity.
Note: monitor height/weight might limit size.*
- Warranty: Lifetime



Evolve4-FMS

Quad Fixed + Motion + Slider Monitor Arm

\$2,275

MODEL # EVOLVE4-FMS- _ _ _

See key below for available finish options

Features

- Finger touch dynamic height adjustment
- Recommended for worksurfaces 36" deep or less
- 25.69" arm extension
- 5.07" arm retraction
- +80°/-60° monitor tilt
- ±90° VESA rotation
- 4.4lb.-15.4lb. weight capacity (per arm)
- 29.7" pole height (includes base)
- VESA 75mm/100mm quick release
- 180° lock-out feature
- Desk clamp and grommet mount included
- 57.61" max. monitor width
*Bezel measured left to right.
Max. width is contingent on weight capacity.
Note: monitor height/weight might limit size.*
- Warranty: Lifetime



Monitor Arm Key:

- Fixed Monitor Arm – F
- Motion Monitor Arm – M
- Slider Mount – S

Available Finishes:

- Silver – SLV
- Black – BLK
- White – WHT

Monitor Arm Key:

- Fixed Monitor Arm – F
- Motion Monitor Arm – M
- Slider Mount – S

Available Finishes:

- Silver – SLV
- Black – BLK
- White – WHT

Evolve4



EVOLVE4-MS

Evolve4-MS

Quad Motion + Slider Monitor Arm

\$1,976

MODEL # EVOLVE4-MS- _ _ _

See key below for available finish options

Features

Finger touch dynamic height adjustment

Recommended for worksurfaces

30" deep or less

15.41" arm extension

5.07" arm retraction

+80°/-60° monitor tilt

±90° VESA rotation

4.4lb.-15.4lb. weight capacity (per arm)

29.7" pole height (includes base)

VESA 75mm/100mm quick release

180° lock-out feature

Desk clamp and grommet mount included

37.06" max. monitor width

Bezel measured left to right.

Max. width is contingent on weight capacity.

Note: monitor height/weight might limit size.

Warranty: Lifetime



Customize the Evolve

As workstation needs change, so can the Evolve configurations. Additional components are sold separately:

- Motion Arms
- Fixed Arms
- Stem Arms
- 19.70" Pole (height includes base)
- Slider Mounts

Contact our Customer Service Department for compatibility and pricing for custom configurations.

Monitor Arm Key:

Fixed Monitor Arm – F

Motion Monitor Arm – M

Slider Mount – S

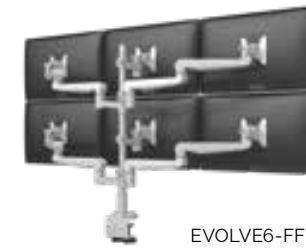
Available Finishes:

○ Silver – SLV

● Black – BLK

○ White – WHT

Evolve6



EVOLVE6-FF

Evolve6-FF

Six Fixed + Fixed Monitor Arm

\$1,861

MODEL # EVOLVE6-FF- _ _ _

See key below for available finish options

Features

Manual height adjustment

Recommended for worksurfaces

30" deep or less

23.1" outside arm extension

6.48" center arm extension

2.55" arm retraction

+90°/-25° monitor tilt

±90° VESA rotation

Up to 20lb. weight capacity (per arm)

29.7" pole height (includes base)

VESA 75mm/100mm quick release

180° lock-out feature

Desk clamp and grommet mount included

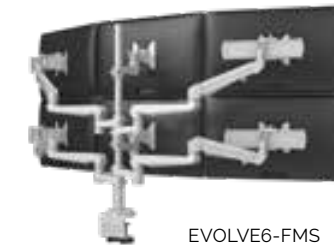
24.49" max. monitor width

Bezel measured left to right.

Max. width is contingent on weight capacity.

Note: monitor height/weight might limit size.

Warranty: Lifetime



EVOLVE6-FMS

Evolve6-FMS

Six Fixed + Motion + Slider Monitor Arm

\$2,638

MODEL # EVOLVE6-FMS- _ _ _

See key below for available finish options

Features

Finger touch dynamic height adjustment

Recommended for worksurfaces

30" deep or less

25.69" outside arm extension

6.48" center arm extension

5.07" arm retraction

+80°/-60° monitor tilt (slider mount)

+90°/-25° monitor tilt (center mount)

±90° VESA rotation

Up to 20lb. weight capacity

(per center arm)

4.4 b.-15.4lb. weight capacity

(per outside arm)

29.7" pole height (includes base)

VESA 75mm/100mm quick release

180° lock-out feature

Desk clamp and grommet mount included

28.81" max. monitor width

Bezel measured left to right.

Max. width is contingent on weight capacity.

Note: monitor height/weight might limit size.

Warranty: Lifetime



Customize the Evolve

As workstation needs change, so can the Evolve configurations. Additional components are sold separately:

- Motion Arms
- Fixed Arms
- Stem Arms
- 19.7" Pole (height includes base)
- Slider Mounts

Contact our Customer Service Department for compatibility and pricing for custom configurations.

Monitor Arm Key:

Fixed Monitor Arm – F

Motion Monitor Arm – M

Slider Mount – S

Available Finishes:

○ Silver – SLV

● Black – BLK

○ White – WHT

Evolve2Combo



EVOLVE2COMBO-SLV

Evolve2Combo

Evolve2-FMS + LTH-Edge

\$1,465

MODEL # EVOLVE2COMBO-SLV

Features

Finger touch dynamic height adjustment

Recommended for worksurfaces
36" deep or less

25.69" arm extension

+80°/-60° monitor tilt

+90° VESA rotation

4.4lb.-15.4lb. weight capacity
(monitor supporting arm)

Up to 10lb. weight capacity
(laptop supporting arm)

19.7" pole height (includes base)

VESA 75mm/100mm quick release

180° lock-out feature

Desk clamp and grommet mount included

57.69" max. monitor width

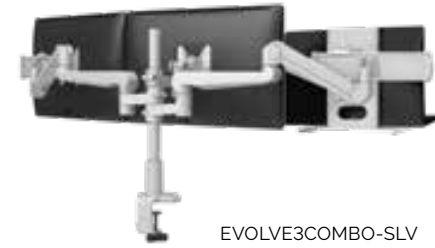
Bezel measured left to right.

Max. width is contingent on weight capacity.

Warranty: Lifetime



Evolve3Combo



EVOLVE3COMBO-SLV

Evolve3Combo

Evolve3-FMS + LTH-Edge

\$1,647

MODEL # EVOLVE3COMBO-SLV

Features

Finger touch dynamic height adjustment

Recommended for worksurfaces
30" deep or less

25.69" outside arm extension

6.48" center arm extension

+80°/-60° monitor tilt (slider mount)

+90°/-25° monitor tilt (center mount)

+90° VESA rotation

4.4lb.-15.4lb. weight capacity
(outside monitor supporting arm)

Up to 20lb. weight capacity
(middle monitor supporting arm)

Up to 10lb. weight capacity
(laptop supporting arm)

19.7" pole height (includes base)

VESA 75mm/100mm quick release

180° lock-out feature

Desk clamp and grommet mount included

28.8" max. monitor width

Bezel measured left to right.

Max. width is contingent on weight capacity.

Warranty: Lifetime



Monitor Arm Key:

Fixed Monitor Arm - F

Motion Monitor Arm - M

Slider Mount - S

Available Finishes:

○ Silver - SLV

● Black - BLK

○ White - WHT



Monitor Arms

Sena™ Series

Proprietary Design

Sena has been uniquely designed by the Fellowes Design Team.

SenaEX Motion Arms

SenaEX configurations that include a motion arm (M) offer finger touch dynamic height adjustment. That means the monitor can reposition up and down with ease.

SenaEX Fixed Arms

SenaEX configurations using fixed arms (F) have manual height adjustment. They rotate left and right along the pole, offering flexibility with lateral adjustments.

Flexible Growth

Because the SenaEX is pole mounted, arms can be added as needed to support additional monitors.

Quality Testing

Meets or exceeds BIFMA x5.5 guidelines.

Sena™



SENA

Sena

Single Monitor Arm

\$384

MODEL # SENA- _ _ _

See key below for available finish options

Features

Finger touch dynamic height adjustment

Recommended for worksurfaces

36" deep or less

12.68" height adjustment range

- 7.01"-19.69" (low-high)

24.37" arm extension

2.89" arm retraction

+75° / -35° monitor tilt

+/-90° VESA rotation

2.2lb.-19.8lb weight capacity (per arm)

VESA 75mm/100mm quick release

180° lock-out feature

360° / 180° arm rotation with 180° lock-out

Desk clamp and grommet mount included

Meets or exceeds BIFMA x5.5 guidelines

Warranty: Lifetime



Sena™2



SENA2

Sena2

Dual Monitor Arm

\$712

MODEL # SENA2- _ _ _

See key below for available finish options

Features

Finger touch dynamic height adjustment

Recommended for worksurfaces

36" deep or less

12.68" height adjustment range

- 7.01"-19.69" (low-high)

24.37" arm extension

2.89" arm retraction

+75°/-35° monitor tilt

±90° VESA rotation

2.2lb.-19.8lb. weight capacity (per arm)

VESA 75mm/100mm quick release

180° lock-out feature

270° / 135° arm rotation with 180° lock

Desk clamp and grommet mount included

45.72" max monitor width

Bezel measured left to right.

Max. width is contingent on weight capacity.

Meets or exceeds BIFMA x5.5 guidelines

Warranty: Lifetime



Sena™EX1



SENAEX1-F

SenaEX1-F

Single Fixed Monitor Arm

\$336

MODEL # SENAEX1-F- _ _ _

See key below for available finish options

Features

Manual height adjustment

Recommended for worksurfaces

30" deep or less

12.93" arm extension

2.89" arm retraction

+75° / -35° monitor tilt

±90° VESA rotation

2.2lb.-19.8lb weight capacity (per arm)

16" pole height (includes base)

VESA 75mm/100mm quick release

180° lock-out feature

360° rotation at three points

Desk clamp and grommet mount included

Meets or exceeds BIFMA x5.5 guidelines

Warranty: Lifetime



SENAEX1-FF

SenaEX1-FF

Single Fixed + Fixed Monitor Arm

\$426

MODEL # SENAEX1-FF- _ _ _

See key below for available finish options

Features

Manual height adjustment

Recommended for worksurfaces

36" deep or less

22.97" arm extension

2.89" arm retraction

+75° / -35° monitor tilt

±90° VESA rotation

2.2lb.-19.8lb weight capacity (per arm)

16" pole height (includes base)

VESA 75mm/100mm quick release

180° lock-out feature

360° rotation at three points

Desk clamp and grommet

mount included

Meets or exceeds BIFMA x5.5 guidelines

Warranty: Lifetime



SENAEX1-FM

SenaEX1-FM

Single Fixed + Motion Monitor Arm

\$507

MODEL # SENAEX1-FM- _ _ _

See key below for available finish options

Features

Finger touch dynamic height adjustment

Recommended for worksurfaces

36" deep or less

12.68" height adjustment range

12.93" arm extension

2.89" arm retraction

+75° / -35° monitor tilt

±90° VESA rotation

2.2lb.-19.8lb weight capacity (per arm)

16" pole height (includes base)

VESA 75mm/100mm quick release

180° lock-out feature

360° rotation at three points

Desk clamp and grommet mount included

Meets or exceeds BIFMA x5.5 guidelines

Warranty: Lifetime



Monitor Arm Key:

Fixed Monitor Arm – F

Motion Monitor Arm – M

Slider Mount – S

Available Finishes:

○ Silver – SLV

● Black – BLK

○ White – WHT

Monitor Arm Key:

Fixed Monitor Arm – F

Motion Monitor Arm – M

Slider Mount – S

Available Finishes:

○ Silver – SLV

● Black – BLK

○ White – WHT

Sena™EX1



SENAEX1-M

SenaEX1-M

Single Motion Monitor Arm

\$431

MODEL # SENAEX1-M- _ _ _
See key below for available finish options

Features

- Finger touch dynamic height adjustment
- Recommended for worksurfaces 30" deep or less
- 12.68" height adjustment range
- 15.26" arm extension
- 2.89" arm retraction
- +75° / -35° monitor tilt
- ±90° VESA rotation
- 2.2lb.-19.8lb weight capacity (per arm)
- 16" pole height (includes base)
- VESA 75mm/100mm quick release
- 180° lock-out feature
- 360° rotation at three points
- Desk clamp and grommet mount included
- Meets or exceeds BIFMA x5.5 guidelines
- Warranty: Lifetime



Sena™EX2



SENAEX2-F

SenaEX2-F

Dual Fixed Monitor Arm

\$542

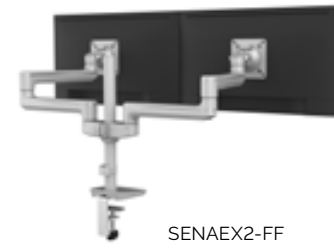
MODEL # SENAEX2-F- _ _ _
See key below for available finish options

Features

- Manual height adjustment
- Recommended for worksurfaces 30" deep or less
- 12.93" arm extension
- +75° / -35° monitor tilt
- ±90° VESA rotation
- 2.2lb.-19.8lb weight capacity (per arm)
- 16" pole height (includes base)
- VESA 75mm/100mm quick release
- 180° lock-out feature
- 270° / 135° arm rotation with 180° lock-out
- Desk clamp and grommet mount included
- 25.98" max. monitor width
Bezel measured left to right.
- Meets or exceeds BIFMA x5.5 guidelines
- Warranty: Lifetime



Sena™EX2



SENAEX2-FF

SenaEX2-FF

Dual Fixed + Fixed Monitor Arm

\$701

MODEL # SENAEX2-FF- _ _ _
See key below for available finish options

Features

- Manual height adjustment
- Recommended for worksurfaces 36" deep or less
- 22.97" arm extension
- +75° / -35° monitor tilt
- ±90° VESA rotation
- 2.2lb.-19.8lb weight capacity (per arm)
- 16" pole height (includes base)
- VESA 75mm/100mm quick release
- 180° lock-out feature
- 270° / 135° arm rotation with 180° lock-out
- Desk clamp and grommet mount included
- 46.06" max. monitor width
Bezel measured left to right.
- Meets or exceeds BIFMA x5.5 guidelines
- Warranty: Lifetime



SENAEX2-FM

SenaEX2-FM

Dual Fixed + Motion Monitor Arm

\$884

MODEL # SENAEX2-FM- _ _ _
See key below for available finish options

Features

- Finger touch dynamic height adjustment
- Recommended for worksurfaces 36" deep or less
- 12.68" height adjustment range
- 25.30" arm extension
- 2.89" arm retraction
- +75° / -35° monitor tilt
- +/-90° VESA rotation
- 2.2lb.-19.8lb weight capacity (per arm)
- 16" pole height (includes base)
- VESA 75mm/100mm quick release
- 180° lock-out feature
- 270° / 135° arm rotation with 180° lock-out
- 50.7" max. monitor width
Bezel measured left to right.
Max. width is contingent on weight capacity.
- Desk clamp and grommet mount included
- Meets or exceeds BIFMA x5.5 guidelines
- Warranty: Lifetime



SENAEX2-FMSM

SenaEX2-FMS

Dual Fixed + Motion + Slider Monitor Arm

\$1,010

MODEL # SENAEX2-FMS- _ _ _
See key below for available finish options

Features

- Finger touch dynamic height adjustment
- Recommended for worksurfaces 36" deep or less
- 12.68" height adjustment range
- 27.15" arm extension
- 4.7" arm retraction
- +/-60° monitor tilt
- ±90° VESA rotation
- 2.2lb.-19.8lb weight capacity (per arm)
- 16" pole height (includes base)
- VESA 75mm/100mm quick release
- 180° lock-out feature
- 270° / 135° arm rotation with 180° lock-out
- 56.22" max. monitor width
Bezel measured left to right.
Max. width is contingent on weight capacity.
- Desk clamp and grommet mount included
- Meets or exceeds BIFMA x5.5 guidelines
- Warranty: Lifetime



Monitor Arm Key:

- Fixed Monitor Arm – F
- Motion Monitor Arm – M
- Slider Mount – S

Available Finishes:

- Silver – SLV
- Black – BLK
- White – WHT

Monitor Arm Key:

- Fixed Monitor Arm – F
- Motion Monitor Arm – M
- Slider Mount – S

Available Finishes:

- Silver – SLV
- Black – BLK
- White – WHT

Sena™EX2



SENAEX2-FS



SENAEX2-M



SENAEX2-MS

SenaEX2-FS

Dual Fixed + Slider Monitor Arm

\$668

MODEL # SENAEX2-FS- _ _ _

See key below for available finish options

Features

- Manual height adjustment
- Recommended for worksurfaces 30" deep or less
- 14.78" arm extension
- 4.7" arm retraction
- +/-60° monitor tilt
- ±90° VESA rotation
- 2.2lb.-19.8lb weight capacity (per arm)
- 16" pole height (includes base)
- VESA 75mm/100mm quick release
- 270° / 135° arm rotation with 180° lock-out
- Desk clamp and grommet mount included
- 31.50" max. monitor width
Bezel measured left to right.
- Meets or exceeds BIFMA x5.5 guidelines
- Warranty: Lifetime



SenaEX2-M

Dual Motion Monitor Arm

\$728

MODEL # SENAEX2-M- _ _ _

See key below for available finish options

Features

- Finger touch dynamic height adjustment
- Recommended for worksurfaces 30" deep or less
- 12.68" height adjustment range
- 15.26" arm extension
- 2.89" arm retraction
- +75° / -35° monitor tilt
- +/-90° VESA rotation
- 180° lock-out feature
- 2.2lb.-19.8lb weight capacity (per arm)
- 16" pole height (includes base)
- VESA 75mm/100mm quick release
- 270° / 135° arm rotation with 180° lock-out
- 180° lock-out
- 30.63" max. monitor width
Bezel measured left to right.
Max. width is contingent on weight capacity.
- Desk clamp and grommet mount included
- Meets or exceeds BIFMA x5.5 guidelines
- Warranty: Lifetime



SenaEX2-MS

Dual Motion + Slider Monitor Arm

\$853

MODEL # SENAEX2-MS- _ _ _

See key below for available finish options

Features

- Finger touch dynamic height adjustment
- Recommended for worksurfaces 30" deep or less
- 12.68" height adjustment range
- 17.11" arm extension
- 4.74" arm retraction
- +/-60° monitor tilt
- +/-90° VESA rotation
- 180° lock-out feature
- 2.2lb.-19.8lb weight capacity (per arm)
- 7.87" pole height (includes base)
- VESA 75mm/100mm quick release
- 270° / 135° arm rotation with 180° lock-out
- 36.14" max. monitor width
Bezel measured left to right.
Max. width is contingent on weight capacity.
- Desk clamp and grommet mount included
- Meets or exceeds BIFMA x5.5 guidelines
- Warranty: Lifetime



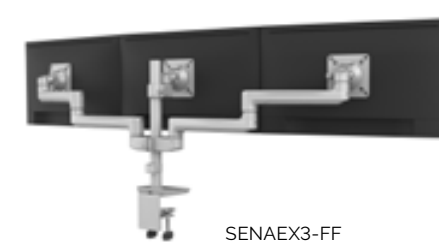
Monitor Arm Key:

- Fixed Monitor Arm – F
- Motion Monitor Arm – M
- Slider Mount – S

Available Finishes:

- Silver – SLV
- Black – BLK
- White – WHT

Sena™EX3



SENAEX3-FF



SENAEX3-FMS

SenaEX3-FF

Triple Fixed + Fixed Monitor Arm

\$825

MODEL # SENAEX3-FF- _ _ _

See key below for available finish options

Features

- Manual height adjustment
- Recommended for worksurfaces 30" deep or less
- 22.97" arm extension
- 4.65" center arm extension
- 2.89" arm retraction
- +75° / -35° monitor tilt
- ±90° VESA rotation
- 2.2lb.-19.8lb weight capacity (per arm)
- 16" pole height (includes base)
- VESA 75mm/100mm quick release
- 180° lock-out feature
- Desk clamp and grommet mount included
- Integrated cord management
- 270° / 135° arm rotation with 180° lock-out
- 23.03" max. monitor width
Bezel measured left to right.
Max. width is contingent on weight capacity.
- Meets or exceeds ANSI/BIFMA x5.5 guidelines
- Warranty: Lifetime



SenaEX3-FMS

Triple Fixed + Motion + Slider Monitor Arm

\$1,128

MODEL # SENAEX3-FMS- _ _ _

See key below for available finish options

Features

- Finger touch dynamic height adjustment
- Recommended for worksurfaces 30" deep or less
- 12.68" height adjustment range
- 27.15" arm extension
- 4.65" center arm extension
- 4.74" arm retraction
- +75° / -35° monitor tilt
- +/-90° VESA rotation
- 2.2lb.-19.8lb weight capacity (per arm)
- 16" pole height (includes base)
- VESA 75mm/100mm quick release
- 180° lock-out feature
- Desk clamp and grommet mount included
- Integrated cord management
- 270° / 135° arm rotation with 180° lock-out
- 28.11" max. monitor width
Bezel measured left to right.
Max. width is contingent on weight capacity.
- Meets or exceeds ANSI/BIFMA x5.5 guidelines
- Warranty: Lifetime



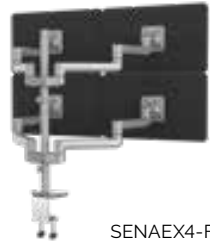
Monitor Arm Key:

- Fixed Monitor Arm – F
- Motion Monitor Arm – M
- Slider Mount – S

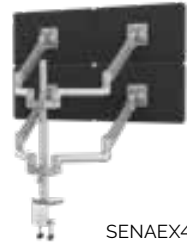
Available Finishes:

- Silver – SLV
- Black – BLK
- White – WHT

Sena™EX4



SENAEX4-FF



SENAEX4-FM

SenaEX4-FF

Quad Fixed + Fixed Monitor Arm

\$1,167

MODEL # SENAEX4-FF- _ _ _

See key below for available finish options

Features

Manual Height Adjustment

Recommended for worksurfaces
36" deep or less

27.97" arm extension

2.89" arm retraction

+75°/-35° monitor tilt

±90° VESA rotation

Up to 15.4 lb. weight capacity (per arm)

28.4" pole height (includes base)

VESA 75mm/100mm quick release

180° lock-out feature

Desk clamp mount included

46.06" max monitor width
Bezel measured left to right.

Max width is contingent on weight capacity.
Note: monitor height/weight might limit size

Meets or exceeds BIFMA X5.5 guidelines

Warranty: Lifetime



Lifetime Warranty

SenaEX4-FM

Quad Fixed + Motion Monitor Arm

\$1,337

MODEL # SENAEX4-FM- _ _ _

See key below for available finish options

Features

Finger touch dynamic height adjustment

Recommended for worksurfaces
36" deep or less

12.68" arm extension

2.89" arm retraction

+75°/-35° monitor tilt

±90° VESA rotation

2.2lb.-15.4lb. weight capacity (per arm)

28.4" pole height (includes base)

VESA 75mm/100mm quick release

180° lock-out feature

Desk clamp mount included

50.71" max monitor width
Bezel measured left to right.

Max width is contingent on weight capacity.
Note: monitor height/weight might limit size

Meets or exceeds BIFMA X5.5 guidelines

Warranty: Lifetime



Lifetime Warranty

Sena™EX4



SENAEX4-MS



SENAEX4-FMS

SenaEX4-MS

Quad Motion + Slider Monitor Arm

\$1,184

MODEL # SENAEX4-MS- _ _ _

See key below for available finish options

Features

Finger touch dynamic height adjustment

Recommended for worksurfaces
30" deep or less

17.94" arm extension

5.58" arm retraction

+75°/-35° monitor tilt

±90° VESA rotation

2.2lb.-15.4lb. weight capacity (per arm)

28.4" pole height (includes base)

VESA 75mm/100mm quick release

180° lock-out feature

Desk clamp mount included

36.43" max monitor width
Bezel measured left to right.

Max width is contingent on weight capacity.
Note: monitor height/weight might limit size

Slider provides 5.8" of additional
horizontal adjustability

Patented slider design for exclusive
Fellowes use

Meets or exceeds BIFMA x5.5 guidelines

Warranty: Lifetime



Lifetime Warranty

SenaEX4-FMS

Quad Fixed + Motion + Slider Monitor Arm

\$1,502

MODEL # SENAEX4-FMS- _ _ _

See key below for available finish options

Features

Finger touch dynamic height adjustment

Recommended for worksurfaces
36" deep or less

27.98" arm extension

5.58" arm retraction

+75°/-35° monitor tilt

±90° VESA rotation

2.2lb.-15.4lb. weight capacity (per arm)

28.4" pole height (includes base)

VESA 75mm/100mm quick release

180° lock-out feature

Desk clamp mount included

56.5" max monitor width
Bezel measured left to right.

Max width is contingent on weight capacity.
Note: monitor height/weight might limit size

Slider provides 5.8" of additional
horizontal adjustability

Patented slider design for exclusive
Fellowes use

Meets or exceeds BIFMA X5.5 guidelines

Warranty: Lifetime



Lifetime Warranty

Monitor Arm Key:

Fixed Monitor Arm – F

Motion Monitor Arm – M

Slider Mount – S

Available Finishes:

○ Silver – SLV

● Black – BLK

○ White – WHT

Monitor Arm Key:

Fixed Monitor Arm – F

Motion Monitor Arm – M

Slider Mount – S

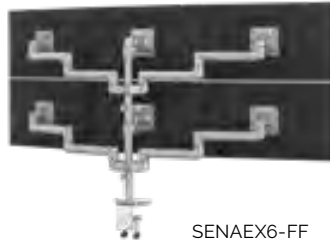
Available Finishes:

○ Silver – SLV

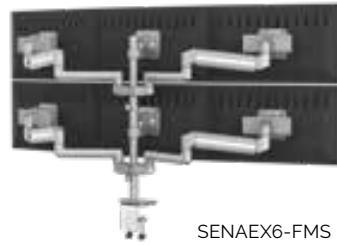
● Black – BLK

○ White – WHT

Sena™EX6



SENAEX6-FF



SENAEX6-FMS

SenaEX6-FF

Six Fixed + Fixed Monitor Arm

\$1,376

MODEL # SENAEX6-FF- _ _ _

See key below for available finish options

Features

- Manual Height Adjustment
- Recommended for worksurfaces 30" deep or less
- 23.82" outside arm extension
- 4.65" center arm extension
- 4" arm retraction
- +75°/-35° monitor tilt
- ±90° VESA rotation
- Up to 11lb. weight capacity (*per arm*)
- 28.4" pole height (*includes base*)
- VESA 75mm/100mm quick release
- 180° lock-out feature
- Desk clamp mount included
- 23.03" max monitor width
Bezel measured left to right.
Max width is contingent on weight capacity.
Note: monitor height/weight might limit size
- Meets or exceeds BIFMA X5.5 guidelines
- Warranty: Lifetime



Lifetime Warranty

SenaEX6-FMS

Six Fixed + Motion + Slider Monitor Arm

\$1716

MODEL # SENAEX6-FMS- _ _ _

See key below for available finish options

Features

- Finger touch dynamic height adjustment
- Recommended for worksurfaces 30" deep or less
- 27.99" outside arm extension
- 4.65" center arm extension
- 5.59" arm retraction
- +75°/-35° monitor tilt
- ±90° VESA rotation
- 2.2lb.-11lb. weight capacity (*per arm*)
- 28.4" pole height (*includes base*)
- VESA 75mm/100mm quick release
- 180° lock-out feature
- Desk clamp mount included
- 28.11" max monitor width
Bezel measured left to right.
Max width is contingent on weight capacity.
Note: monitor height/weight might limit size
- Slider provides 5.51" of additional horizontal adjustability
- Patented slider design for exclusive Fellowes use
- Meets or exceeds BIFMA X5.5 guidelines
- Warranty: Lifetime



Lifetime Warranty

Monitor Arm Key:

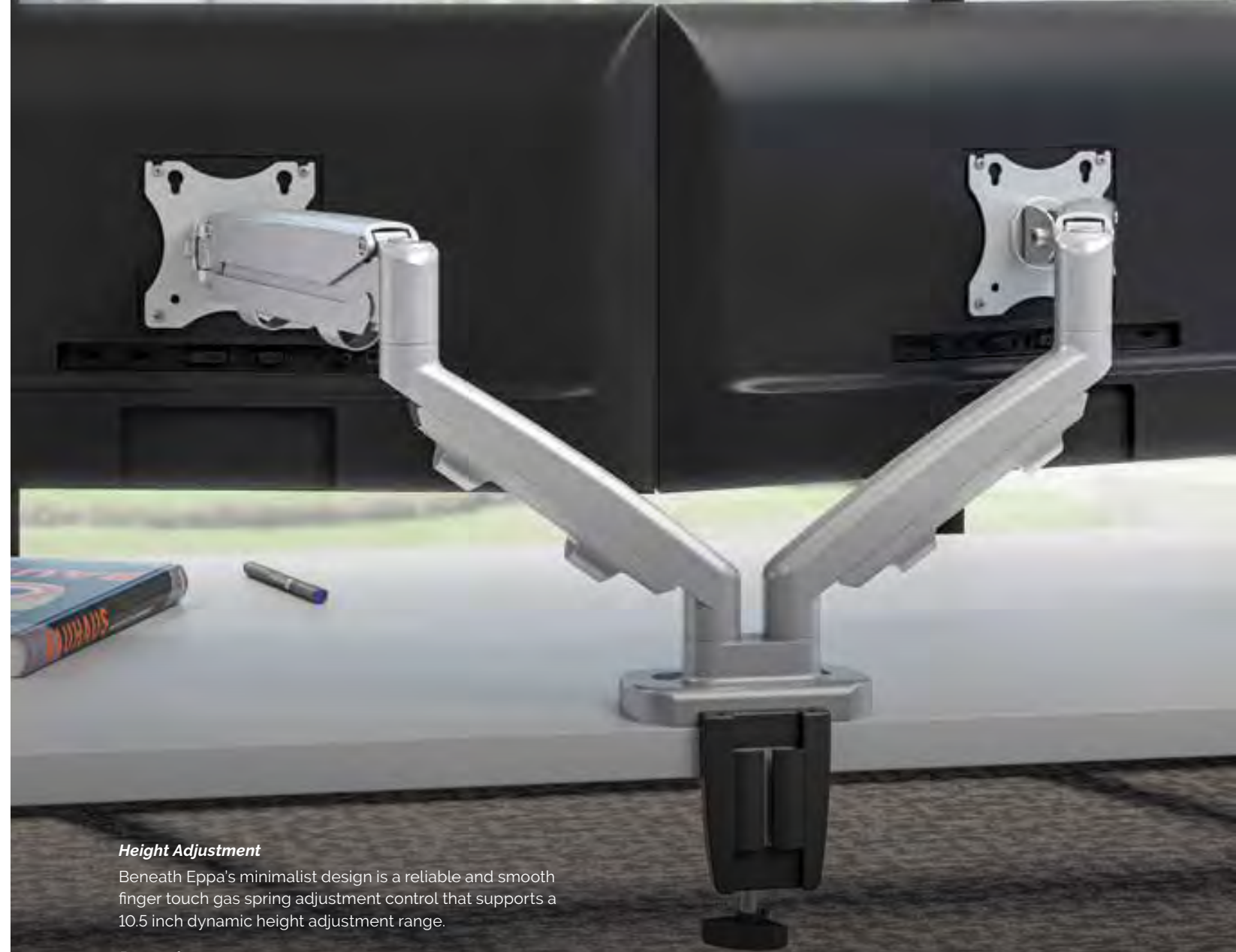
- Fixed Monitor Arm – F
- Motion Monitor Arm – M
- Slider Mount – S

Available Finishes:

- Silver – SLV
- Black – BLK
- White – WHT

Monitor Arms

Eppa™ Series



Height Adjustment

Beneath Eppa's minimalist design is a reliable and smooth finger touch gas spring adjustment control that supports a 10.5 inch dynamic height adjustment range.

Retraction

Retracting to a four inch depth and extending 20 inches, Eppa offers a comfortable viewing distance no matter the size of the workstation.

Conversion

Reuse most of the parts in your single Eppa arm when you convert up to the dual Eppa2 with our simple kit. Conversion kit sold separately.

Quality Testing

Meets or exceeds BIFMA x5.5 guidelines.

Eppa™



EPPA

Eppa

Single Monitor Arm

\$337

MODEL # EPPA-SLV

See key below for available finish options

Features

Finger touch dynamic height adjustment

Recommended for worksurfaces

36" deep or less

11.1" height adjustment range

- 5.23"-16.33" (low/high)

21.14" arm extension

3.32" arm retraction

±90° monitor tilt

±360° VESA rotation

2.2lb.-17.6lb. weight capacity

VESA 75mm/100mm quick mount

Desk clamp and grommet mount included

Warranty: Lifetime



Lifetime Warranty

Eppa™2



EPPA2

Eppa2

Dual Monitor Arm

\$635

MODEL # EPPA2-SLV

See key below for available finish options

Features

Finger touch dynamic height adjustment

Recommended for worksurfaces

36" deep or less

11.1" height adjustment range

- 5.23"-16.33" (low/high)

21.14" arm extension

3.34" arm retraction

±90° monitor tilt

±360° VESA rotation

2.2lb.-17.6lb. weight capacity (per arm)

VESA 75mm/100mm quick mount

Desk clamp and grommet mount included

38.97" max. monitor width

Bezel measured left to right.

Max. width is contingent on weight capacity.

Warranty: Lifetime



Lifetime Warranty

Eppa™2-Max



EPPA2-MAX

Eppa2-MAX

Dual Monitor Arm with Crossbar

\$725

EPPA2-MAX-SLV

See key below for available finish options

Features

Gas Spring mechanism for smooth and effortless adjustments

Recommended for worksurfaces

24"-36" deep or less

Crossbar handle provides an easy grip for moving monitors

180° lock-out feature

32.72" total width of crossbar

13.75" height adjustment range

- 9.9"-23.65" (low/high)

24.78" arm extension

4.99" arm retraction

±10° monitor tilt

±90° VESA rotation

Total weight capacity: 35.2 lbs.

Desk clamp and grommet mount included

30" max. monitor width

Bezel measured left to right. Max. width is contingent on weight capacity.

Capable to swivel between portrait and landscape orientation

Meets or exceeds BIFMA x5.5 guidelines

Aluminum and steel design

Partially assembled for quick installation

Integrated cord management

Grommet hole integrated in base to easily route cables

Clip-on tool holder attaches to base bracket keeping hex keys accessible

Warranty: Lifetime



Lifetime Warranty



Eppa Conversion Kit

\$419

MODEL # EPPA2KIT-SLV

Available in silver

Converts an existing Eppa single monitor arm to an Eppa2 dual arm.

Kit Includes:

- One Single Arm
- One Dual Base
- One Clamp Mount
- One Grommet Mount

Available Finishes:

○ Silver - SLV

Available Finishes:

○ Silver - SLV



Monitor Arms
Accessories

Monitor Arm Accessories



LTH-Edge

Adjustable Laptop Tray

\$253

MODEL # LTH-EDGE-SLV

Features

10.3" laptop tray width

12"-18.3" adjustable depth

Monitor arm sold separately

Compatible with the following monitor arms: KataEX, Kata, Evolve, Sena, SenaEX, Edge, Eppa, Rising, RisingEX

Weight capacity *(based on supporting arm)*:

- Rising: up to 22.6 lb.
- KataEX: up to 14.6 lb.
- Kata: up to 14.6 lb.
- Evolve: 1.2-12.2 lb.
- Edge: 1.2-12.2 lb.
- Eppa: up to 12.2 lb.

Warranty: Lifetime



Sena Laptop Holder

Laptop Holder

\$147

MODEL # SENA-LTH-SLV
MODEL # SENA-LTH-BLK
MODEL # SENA-LTH-WHT

Features

12.20" tray width, 9.45" tray depth

Monitor arm sold separately

Only compatible with Sena and SenaEX series monitor arms

Quick release plate for effortless installation

Supports one laptop up to a maximum screen size of 18" and maximum weight capacity of 13.23 lbs.

Made from 72% recycled content and is 97% recyclable

Warranty: Lifetime



Rising Laptop Holder

Laptop Holder

\$147

MODEL # RSNG-LTH-PLT
MODEL # RSNG-LTH-BLK
MODEL # RSNG-LTH-DWT

Features

12.2" tray width, 9.45" tray depth

Monitor arm sold separately

Only compatible with Rising and RisingEX series monitor arms

Quick release plate for effortless installation

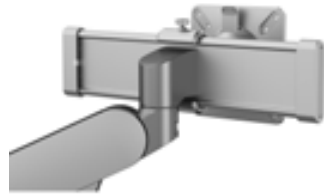
Supports one laptop up to a maximum screen size of 18" and maximum weight capacity of 18 lbs.

Made from 72% recycled content and is 97% recyclable

Warranty: Lifetime



Monitor Arm Accessories



Rising Slider Mount

VESA Slider

Standard Finishes: **\$149**

Premium Finishes: **\$157**

In-Trend Finishes: **\$171**

MODEL # STANDARD FINISH
MODEL # PREMIUM FINISH
MODEL # IN-TREND FINISH

Features

9" adjustment from left to right

Retrofits with the Rising and RisingEX series

Not compatible with any other monitor arm series

Adds an additional 1.2lbs.

Warranty: Lifetime



Kata Slider Mount

VESA Slider

\$209

MODEL # KATA-SLD-SLV
MODEL # KATA-SLD-BLK
MODEL # KATA-SLD-WHT

Features

9.5" adjustment from left to right

Retrofits with the Kata and KataEX series

Not compatible with any other monitor arm series

Adds an additional 1.2 lbs.

Warranty: Lifetime



Edge/Evolve Slider Mount

VESA Slider

\$197

MODEL # EDV-SLD-SLV
MODEL # EDV-SLD-BLK
MODEL # EDV-SLD-WHT

Features

8.5" adjustment from left to right

Retrofits with the Edge and Evolve series

Not compatible with any other monitor arm series

Adds an additional 2.2 lbs.

Warranty: Lifetime



Sena Slider Mount

VESA Slider

\$109

MODEL # SENA-SLD-SLV
MODEL # SENA-SLD-BLK
MODEL # SENA-SLD-WHT

Features

11" adjustment from left to right

Works with all Sena and SenaEX

Not compatible with any other monitor arm series

Adds an additional 1.2 lbs.

Patent Pending Design – Dual Track Slider

Warranty: Lifetime



Rising Crossbar

Crossbar Accessory

List: **\$570**

MODEL # RSNB-CRSBAR-SET#-BLK

Features

Designed for the Rising™ Series

Not compatible with the Eppa™, Evolve, Edge, Edge-Max, Kata™EX, or Sena series

Adds additional 2.5 lb.

Crossbar accessory can be used to convert single monitor arms to hold 2 monitors

Ships with two high-capacity cable covers (*Black Finish*)

Available in Black Finish only

Recommended for use with Black (BLK) and Black/Bronze (BRZ) finish Rising monitor arms

Max Monitor Width: 27" (*bezel measured left to right*)

Lifetime Warranty



Top Mount

for Single Rising Monitor Arm

List: **\$142**

MODEL # RSNB-BASE-TM-PLT
MODEL # RSNB-BASE-TM-BLK
MODEL # RSNB-BASE-TM-DWT

Features

Low-profile, c-clamp top mount for Single Rising monitor arms

Compatible with worksurface thicknesses ranging from 0.63"–1.22"

Clamp is adjusted by tightening the bolt located on the top of the mount using the provided allen wrench

The 2-piece mount supports above-desk installation in applications with minimal clearance beneath the worksurface or where rear access is restricted

Designed for the Rising™ series; Not compatible with the Eppa™, Evolve, Edge, Edge-Max, Kata™, Kata™EX Series, or Sena

Warranty: Lifetime



Available Finishes:

* Minimum Order Quantity: 200
Lead Time 10 weeks

Standard Finishes

- Platinum – PLT
- Black – BLK
- Designer White – DWT

Premium Finishes

- Bronze/Black – BRZ
- Polished Aluminum/Designer White – POL

In-Trend Finishes (LT)

- Azure – AZR
- Sage – SGE
- Stardust – STR
- Slate – SLT

Available Finishes:

- Platinum – PLT
- Black – BLK
- Designer White – DWT

Monitor Arm Accessories



Top Mount

for Dual Rising Monitor Arm

List: \$175

MODEL # RSVG2-BASE-TM-PLT
MODEL # RSVG2-BASE-TM-BLK
MODEL # RSVG2-BASE-TM-DWT

Features

Low-profile, c-clamp top mount for Dual Rising monitor arm

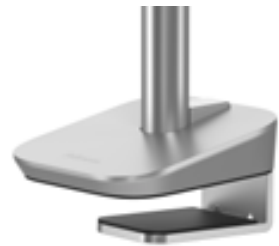
Compatible with worksurface thicknesses ranging from 0.63"-1.22"

Clamp is adjusted by tightening the bolt located on the top of the mount using the provided allen wrench

The 2-piece mount supports above-desk installation in applications with minimal clearance beneath the worksurface or where rear access is restricted

Designed for the Rising™ series; Not compatible with the Eppa™, Evolve, Edge, Edge-Max, Kata™, Kata™EX Series, or Sena

Warranty: Lifetime



Top Mount

for 16" Pole Mounted Rising Monitor Arm

List: \$234

MODEL # RSVGEX-16BASE-TM-PLT
MODEL # RSVGEX-16BASE-TM-BLK
MODEL # RSVGEX-16BASE-TM-DWT

Features

Low-profile, c-clamp top mount for 16" pole mounted Rising monitor arm

Compatible with worksurface thicknesses ranging from 0.63"-1.22"

Clamp is adjusted by tightening the bolt located on the top of the mount using the provided allen wrench

The 2-piece mount supports above-desk installation in applications with minimal clearance beneath the worksurface or where rear access is restricted

Designed for the Rising™ series; Not compatible with the Eppa™, Evolve, Edge, Edge-Max, Kata™, Kata™EX Series, or Sena

Warranty: Lifetime



Thin Client CPU

Monitor Arm CPU Holder

\$336

MODEL # CPU-TC

Features

Mounts between the monitor arm and monitor

Adjustable width: 1.4"-2.3"

Mounts to VESA 75mm/100mm

Adjustment knobs are vibration resistant

Adds an additional 3lbs.

Warranty: Lifetime



Monitor Arm Sold Separately

Monitor Arm Accessories



Weighted VESA Mount

Universal VESA Bracket

\$66

MODEL # VESA-HVY-SLV

Features

For use when monitor weight does not meet minimum weight requirement for monitor arm

Adds an additional 2.4lbs.

Warranty: Lifetime



VESA 100x200 Conversion Mount

VESA Slider

\$42

MODEL # VESA 100X200-SLV

Features

Converts a 75mm or 100mm VESA mount to attach to a 100mm x 200mm VESA display

Warranty: Lifetime



Available Finishes:

- Platinum - PLT
- Black - BLK
- Designer White - DWT

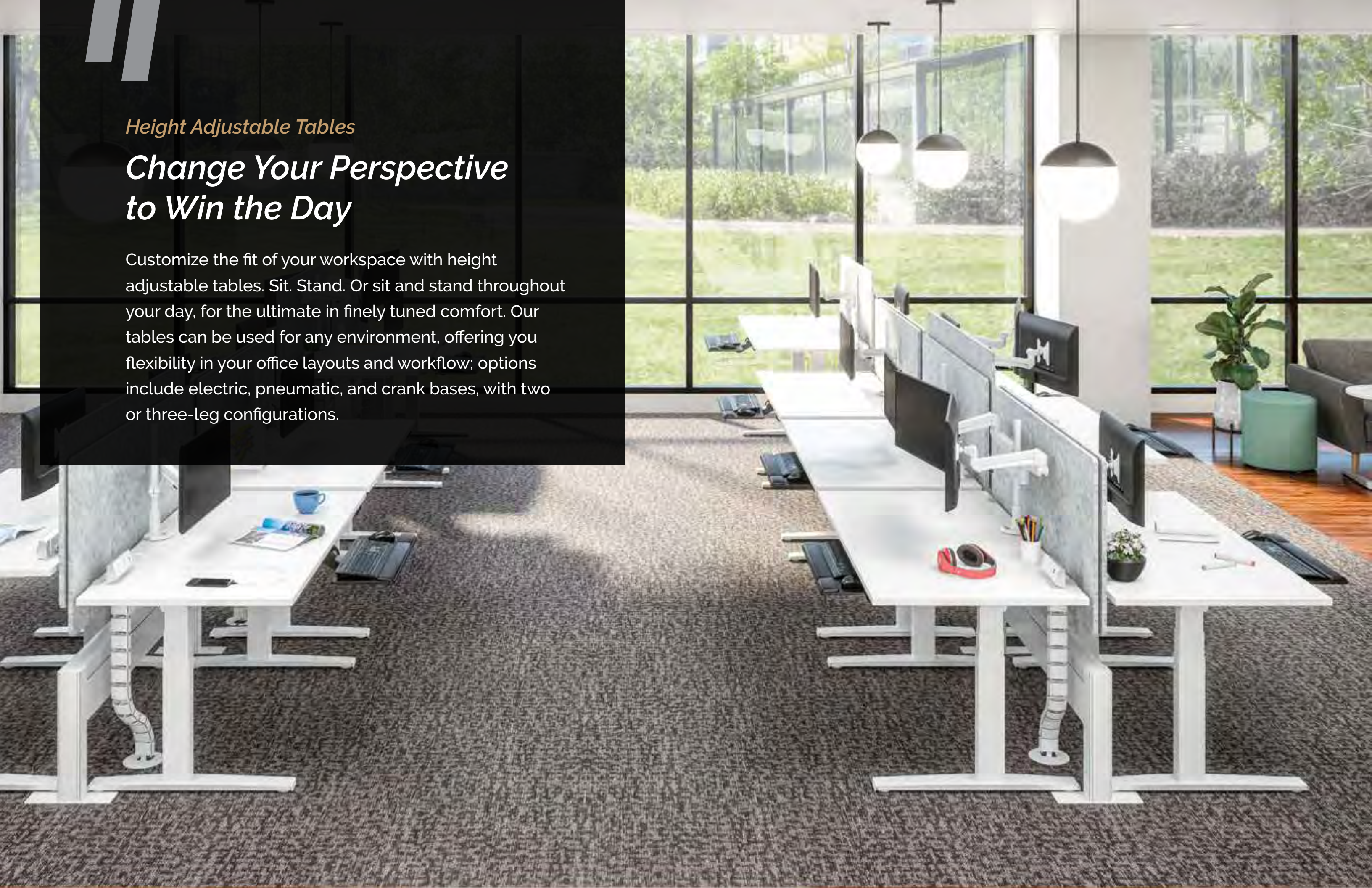
Available Finishes:

- Platinum - PLT
- Black - BLK
- Designer White - DWT

Height Adjustable Tables

Change Your Perspective to Win the Day

Customize the fit of your workspace with height adjustable tables. Sit. Stand. Or sit and stand throughout your day, for the ultimate in finely tuned comfort. Our tables can be used for any environment, offering you flexibility in your office layouts and workflow; options include electric, pneumatic, and crank bases, with two or three-leg configurations.



Height Adjustable Tables

All-Flex®

All-Flex® 2-leg Complete Table

Complete Quick Ship Table Model # Breakdown:

2F_-R4824-QS-T_
 | | | | | | | | | |
 a b c d e f g h i

a: number of legs
 b: type of table base
 c: finish of base
 d: worksurface shape
 e: worksurface width
 f: worksurface depth
 g: quick ship indicator
 h: laminate material
 i: laminate color

48" x 24" Quick Ship Complete Table

All-Flex 2-leg table base with a 48" w x 24" d rectangle TFL worksurface

MODEL # 2F ■ -R4824-QS-T ■ \$2,464

48" x 30" Quick Ship Complete Table

All-Flex 2-leg table base with a 48" w x 30" d rectangle TFL worksurface

MODEL # 2F ■ -R4830-QS-T ■ \$2,494

60" x 24" Quick Ship Complete Table

All-Flex 2-leg table base with a 60" w x 24" d rectangle TFL worksurface

MODEL # 2F ■ -R6024-QS-T ■ \$2,527

60" x 30" Quick Ship Complete Table

All-Flex 2-leg table base with a 60" w x 30" d rectangle TFL worksurface

MODEL # 2F ■ -R6030-QS-T ■ \$2,594

■ base finish notation ■ laminate color notation

Available Base Finishes

- Silver – S
- Black – B
- White – W

Available TFL Quick Ship Laminates

- Beigewood – BG
- Black – BK
- Designer White – DW
- Light Gray – GR
- NeoWalnut – NW

All-Flex 2-leg Table

Quick ship complete table options include: silver, black, or white table bases; 48" w x 24" d, 48" w x 30" d, 60" w x 24" d and 60" w x 30" d rectangle worksurfaces; all five TFL laminates. For all other combinations, please call our Customer Service Department for the estimated lead time and cost.

Multiple worksurface shapes and laminates are available. See pages 138–145 or worksurface details including laminate colors.

For all other complete table options reference the Complete Table and Worksurface Guide at fellowes.com.

All-Flex® 2-leg



All-Flex 2-leg

Electric Height Adjustable Table Base

\$2,138

MODEL # FLEX2-_-_-

Features

Electric height adjustment

265lb. base lifting capacity

1.5" / sec. adjustment speed

26" height adjustment range

23.3"-49.3" (low/high)
(excluding worksurface)

Three stage adjustable legs

C-Leg

Foot is adjustable to 22" or 28"
(patented design)

Leg columns fold out for easy assembly

Adjustable width frame accommodates
worksurfaces 36"-72"

Digital keypad with four memory settings

Soft start and stop

Anti-collision

Table base is UL962 listed

Locking casters available

Warranty: Lifetime



Caster Kit

\$91

MODEL # CASTERKIT-FLEX2

Set of four casters for table base

Increases height by 2"

Locking casters for security

All-Flex® 2-leg

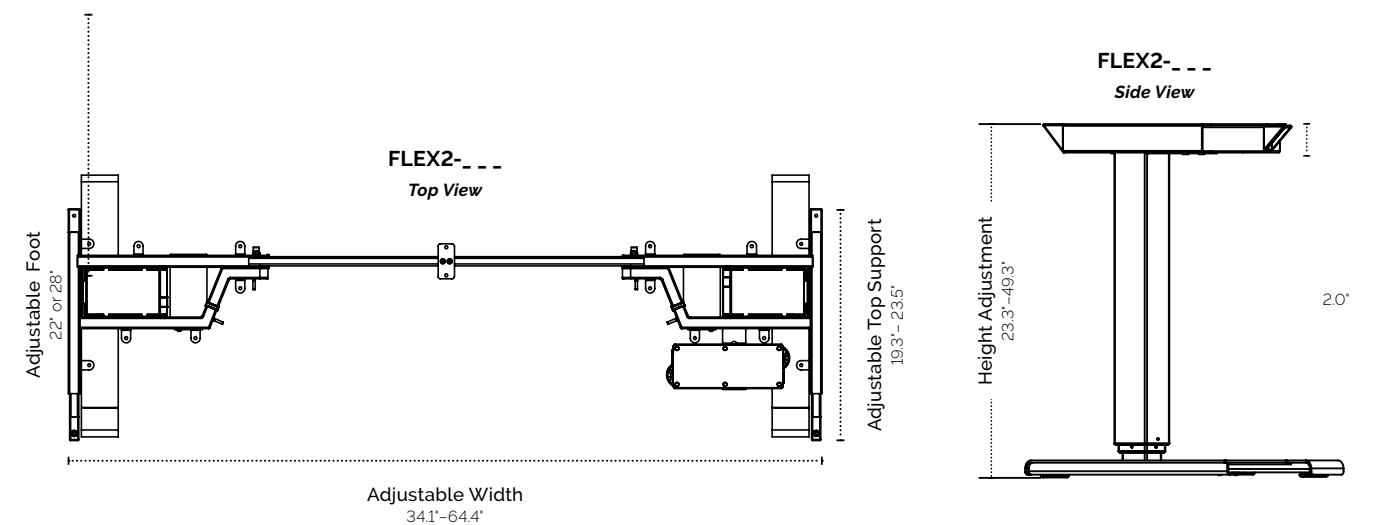
Table Base Model	List Price	Worksurface Shape	Worksurface Dimension	Available Worksurfaces			
				TFL Standard		HPL Standard	HPL Premium
				Quick ship	Standard ship	Standard ship	Standard ship
FLEX2-_-_-	\$2,138	 W Rectangle	36" w x 24" d	-	•	•	•
			42" w x 24" d	-	•	•	•
			48" w x 24" d	•	•	•	•
			60" w x 24" d	•	•	•	•
			72" w x 24" d	-	•	•	•
			36" w x 30" d	-	•	•	•
			42" w x 30" d	-	•	•	•
			48" w x 30" d	•	•	•	•
			60" w x 30" d	•	•	•	•
			72" w x 30" d	-	•	•	•

Worksurface Program

Multiple worksurface shapes and laminates are available. See pages 138-145 or worksurface details including pricing and laminate colors. TFL quick ship worksurfaces are shipped out in 48 hours, contact Customer Service for current lead times for TFL standard and HPL standard/premium worksurfaces.

Table bases and worksurfaces can be purchased independently or as a combination.

Felloses worksurfaces are made to exact dimensions. If nominal sizing is needed, please specify when ordering.

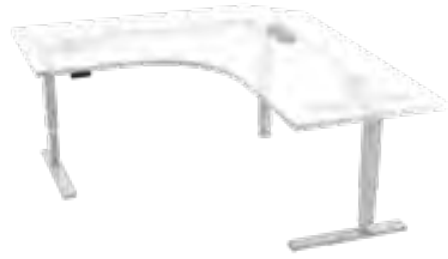


The base dimensions as shown are actual.

Available Finishes:

- Silver - SLV
- Black - BLK
- White - WHT

All-Flex® 3-leg



All-Flex 3-leg

Electric Height Adjustable Table Base

\$3,232

MODEL # FLEX3- _ _ _

Features

- Electric height adjustment
- 330 lb. base lifting capacity
- 1.5" / sec. adjustment speed
- 26" height adjustment range
- 23.3"–49.3" (low/high) (excluding worksurface)
- Three stage adjustable legs
- C-Leg
- Foot is adjustable to 22" or 28" (patented design)
- Leg columns fold out for easy assembly
- Adjustable width frame accommodates worksurfaces 48"–84"
- Digital keypad with four memory settings
- Soft start and stop
- Anti-collision
- Table base is UL962 listed
- Locking casters available
- Warranty: Lifetime



Caster Kit

\$116

MODEL # CASTERKIT-FLEX3

Set of five casters for table base
Increases height by 2"
Locking casters for security

Available Finishes:

- Silver – SLV
- Black – BLK
- White – WHT

All-Flex® 3-leg

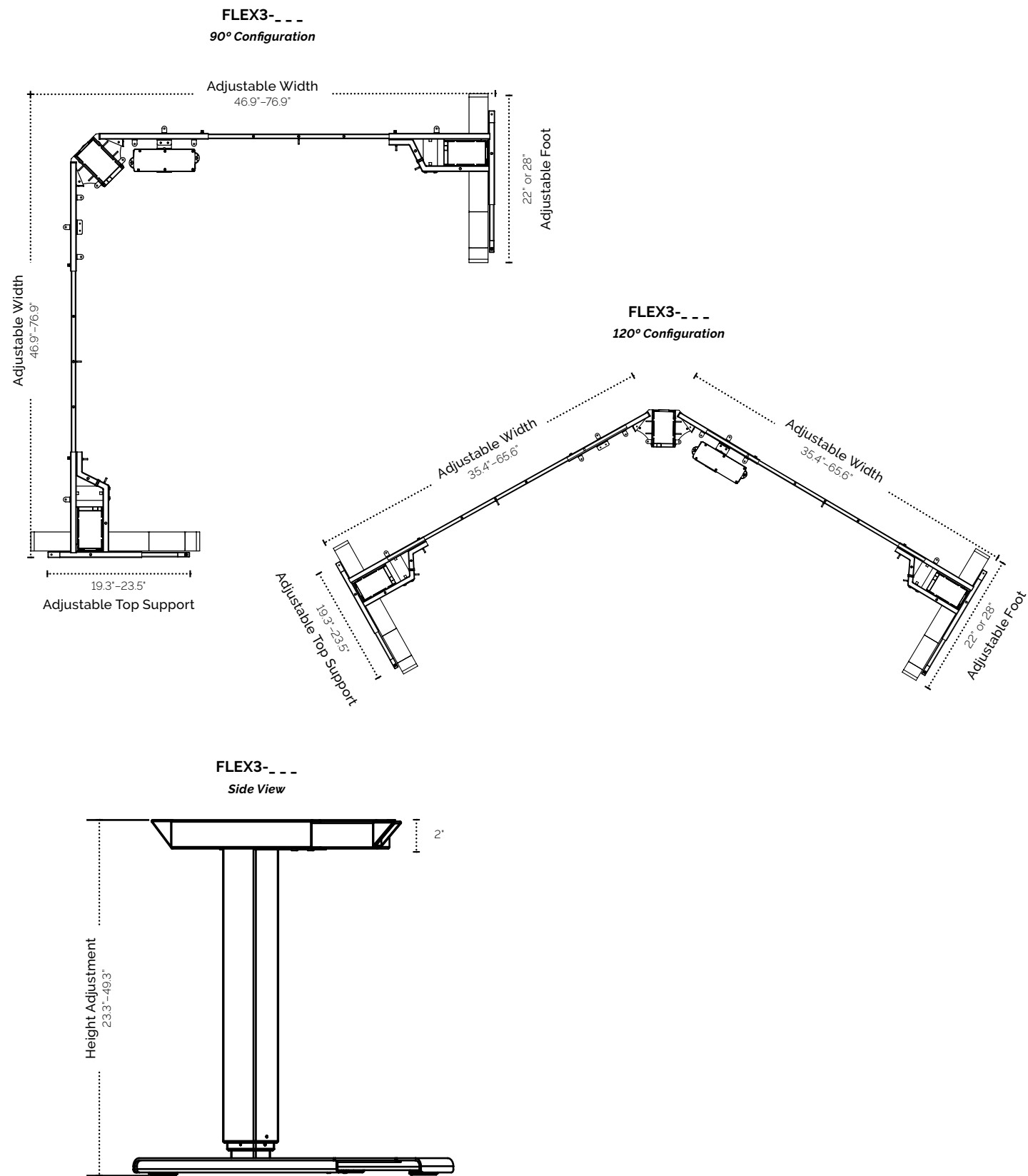
Table Base Model	List Price	Worksurface Shape	Worksurface Dimension	Available Worksurfaces			
				TFL Standard		HPL Standard	HPL Premium
				Quick Ship	Standard Ship	Standard Ship	Standard Ship
FLEX3- _ _ _	\$3,232	 Equal corner	60"wl x 60"wr x 24"d	-	•	•	•
			72"wl x 72"wr x 24"d	-	•	•	•
			60"wl x 60"wr x 30"d	-	•	•	•
			72"wl x 72"wr x 30"d	-	•	•	•
FLEX3- _ _ _	\$3,232	 120°	48"w x 24"d	-	•	•	•
			60"w x 24"d	-	-	•	•
			72"w x 24"d	-	-	•	•
			48"w x 30"d	-	-	•	•
			60"w x 30"d	-	-	•	•
			72"w x 30"d	-	-	•	•
FLEX3- _ _ _	\$3,232	 Offset corner left	60"wl x 48"wr x 24"d	-	•	•	•
			72"wl x 48"wr x 24"d	-	•	•	•
			72"wl x 60"wr x 24"d	-	•	•	•
			84"wl x 48"wr x 24"d	-	•	•	•
			84"wl x 60"wr x 24"d	-	-	•	•
			60"wl x 48"wr x 30"d	-	•	•	•
			72"wl x 48"wr x 30"d	-	•	•	•
			72"wl x 60"wr x 30"d	-	•	•	•
			84"wl x 48"wr x 30"d	-	-	•	•
			84"wl x 60"wr x 30"d	-	-	•	•
FLEX3- _ _ _	\$3,232	 Offset corner right	48"wl x 60"wr x 24"d	-	•	•	•
			48"wl x 72"wr x 24"d	-	•	•	•
			60"wl x 72"wr x 24"d	-	•	•	•
			48"wl x 84"wr x 24"d	-	•	•	•
			60"wl x 84"wr x 24"d	-	-	•	•
			48"wl x 60"wr x 30"d	-	•	•	•
			48"wl x 72"wr x 30"d	-	•	•	•
			60"wl x 72"wr x 30"d	-	•	•	•
			48"wl x 84"wr x 30"d	-	-	•	•
			60"wl x 84"wr x 30"d	-	-	•	•

Worksurface Program

Multiple worksurface shapes and laminates are available. See pages 138–145 or worksurface details including pricing and laminate colors. TFL quick ship worksurfaces are shipped out in 48 hours, contact Customer service for current lead times for TFL standard and HPL standard/premium worksurfaces.

Table bases and worksurfaces can be purchased independently or as a combination. Fellowes worksurfaces are made to exact dimensions. If nominalizing is needed, please specify when ordering.
Equal Corner worksurfaces measuring 72x72x24 and 72x72x30 will ship in 2 pieces. 120-degree worksurfaces measuring 72x24 and 72x24 will ship in 3 pieces and include joining brackets.

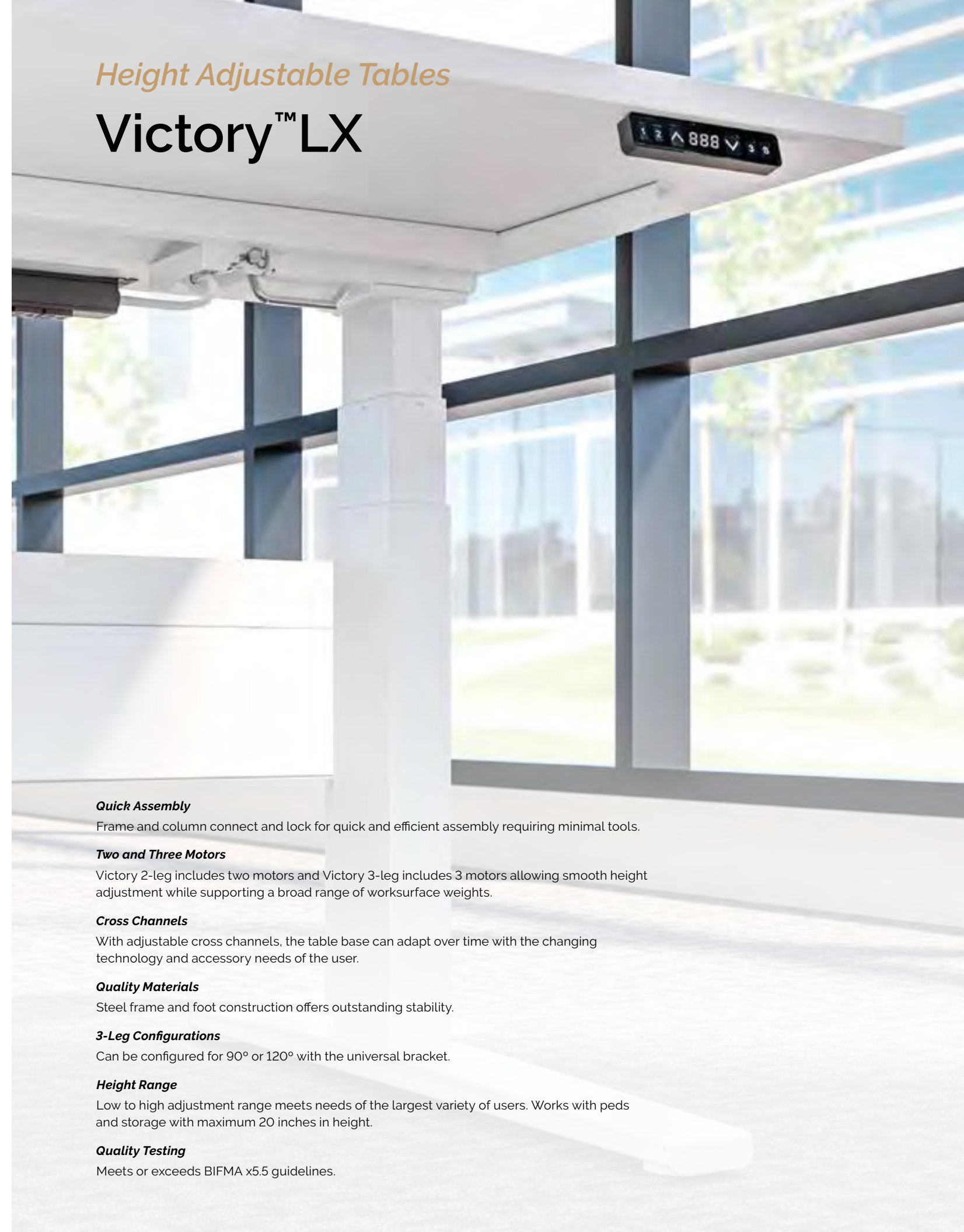
All-Flex® 3-leg



The base dimensions as shown are actual.

Height Adjustable Tables

Victory™ LX



Quick Assembly

Frame and column connect and lock for quick and efficient assembly requiring minimal tools.

Two and Three Motors

Victory 2-leg includes two motors and Victory 3-leg includes 3 motors allowing smooth height adjustment while supporting a broad range of worksurface weights.

Cross Channels

With adjustable cross channels, the table base can adapt over time with the changing technology and accessory needs of the user.

Quality Materials

Steel frame and foot construction offers outstanding stability.

3-Leg Configurations

Can be configured for 90° or 120° with the universal bracket.

Height Range

Low to high adjustment range meets needs of the largest variety of users. Works with peds and storage with maximum 20 inches in height.

Quality Testing

Meets or exceeds BIFMA x5.5 guidelines.

Victory™LX 2-leg Complete Table

Complete Quick Ship Table Model # Breakdown:

2VT_-R4824-QS-T__
 | | | | | | | | | |
 a b c d e f g h i

48" x 24" Quick Ship Complete Table

VictoryLX 2-leg table base with a 48"w x 24"d rectangle TFL worksurface

MODEL # 2VT_-R4824-QS-T **\$1,819**

48" x 30" Quick Ship Complete Table

VictoryLX 2-leg table base with a 48"w x 30"d rectangle TFL worksurface

MODEL # 2VT_-R4830-QS-T **\$1,849**

60" x 24" Quick Ship Complete Table

VictoryLX 2-leg table base with a 60"w x 24"d rectangle TFL worksurface

MODEL # 2VT_-R4824-QS-T **\$1,882**

60" x 30" Quick Ship Complete Table

VictoryLX 2-leg table base with a 60"w x 30"d rectangle TFL worksurface

MODEL # 2VT_-R6030-QS-T **\$1,949**

■ base finish notation ■ laminate color notation

VictoryLX 2-leg Table

Quick ship complete table options include: silver, black, or white table bases; 48"w x 24"d, 48"w x 30"d, 60"w x 24"d and 60"w x 30"d rectangle worksurfaces; all five TFL laminates. Quick ship worksurfaces will be pre-drilled to accommodate the VictoryLX 2-leg table base. For all other combinations, please call our Customer Service Department for the estimated lead time and cost.

Multiple worksurface shapes and laminates are available. See pages 138–145 or worksurface details including laminate colors.

For all other complete table options reference the Complete Table and Worksurface Guide at fellowes.com.

a: number of legs
 b: type of table base
 c: finish of base
 d: worksurface shape
 e: worksurface width
 f: worksurface depth
 g: quick ship indicator
 h: laminate material
 i: laminate color

Available Base Finishes

- Silver – S
- Black – B
- White – W

Available TFL Quick Ship Laminates

- Beigewood – BG
- Black – BK
- Designer White – DW
- Light Gray – GR
- NeoWalnut – NW

Complete Table UL Certification available. Please contact your Representative or Fellowes Customer Service for ordering information.

Victory™LX 2-leg



VictoryLX 2-leg

Electric Height Adjustable Table Base

\$1,493

MODEL # 2VT-LX-C36-24-_-_-
 MODEL # 2VT-LX-C36-30-_-_-
 MODEL # 2VT-LX-C48-24-_-_-
 MODEL # 2VT-LX-C48-30-_-_-

See key below for available finish options

Features

- Electric height adjustment
- 250lb. base lifting capacity
- 14" / sec. adjustment speed
- 26" height adjustment range
21.5"–47.5" (low/high)
(excluding worksurface)
- Three stage adjustable legs
- C-Leg
- Frame and column connect and lock for quick and easy assembly
- Adjustable width frame accommodates worksurfaces 36"–72"
- Digital keypad with three memory settings
- Soft start and stop
- Gyro sensor anti-collision
- Table base is UL962 listed
- Locking casters available
- Warranty: Lifetime



Caster Kit

\$70

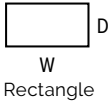
MODEL # CASTERKIT-LX-2LEG

Set of four casters for table base
 Increases height by 2"
 Locking casters for security

Available Finishes:

- Silver – SLV
- Black – BLK
- White – WHT

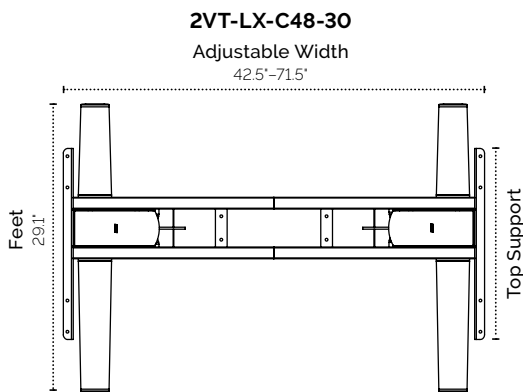
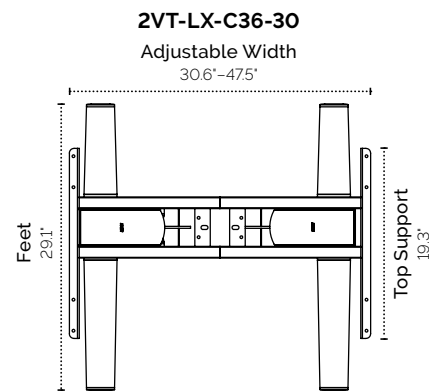
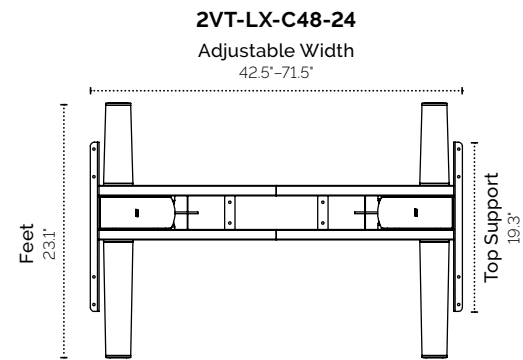
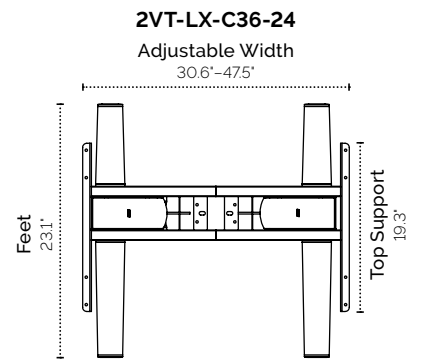
Victory™LX 2-leg

Table Bases		Available Worksurfaces					
Table base Model	List Price	Worksurface Shape	Worksurface Dimension	TFL Standard		HPL Standard	HPL Premium
				Quick Ship	Standard Ship	Standard Ship	Standard Ship
2VT-LX-C36-24-_-_-	\$1,493	 W Rectangle	36"w x 24"d	-	•	•	•
			42"w x 24"d	-	•	•	•
			48"w x 24"d	•	•	•	•
2VT-LX-C48-24-_-_-	\$1,493		60"w x 24"d	•	•	•	•
			72"w x 24"d	-	•	•	•
			2VT-LX-C36-30-_-_-	\$1,493	36"w x 30"d	-	•
42"w x 30"d	-	•			•	•	
48"w x 30"d	•	•			•	•	
2VT-LX-C48-30-_-_-	\$1,493	60"w x 30"d	•	•	•	•	
		72"w x 30"d	-	•	•	•	

Worksurface Program

Multiple worksurface shapes and laminates are available. See pages 138–145 or worksurface details including pricing and laminate colors. TFL quick ship worksurfaces are shipped out in 48 hours, contact Customer Service for current lead times for TFL standard and HPL standard/premium worksurfaces.

*Table bases and worksurfaces can be purchased independently or as a combination.
Fellowes worksurfaces are made to exact dimensions. If nominal sizing is needed, please specify when ordering.*



The base dimensions as shown are actual.

Victory™LX 3-leg



VictoryLX 3-leg

Electric Height Adjustable Table Base

\$2,154

- MODEL # 3VT-LX-C3636-24-_-_-
 - MODEL # 3VT-LX-C3636-30-_-_-
 - MODEL # 3VT-LX-C4836-24-_-_-
 - MODEL # 3VT-LX-C4836-30-_-_-
 - MODEL # 3VT-LX-C4848-24-_-_-
 - MODEL # 3VT-LX-C4848-30-_-_-
- See key below for available finish options*

Features

- Electric height adjustment
- 360 lb. base lifting capacity
- 1.4" / sec. adjustment speed
- 26" height adjustment range
21.5"–47.5" (low/high)
(excluding worksurface)
- Three stage adjustable legs
- C-Leg
- Adjustable width frame accommodates worksurfaces 48"–84"
- Digital keypad with three memory settings
- Soft start and stop
- Anti-collision
- Table base is UL962 listed
- Locking casters available
- Warranty: Lifetime



Caster Kit

\$138

- MODEL # CASTERKIT-LX-3LEG-SLV
- MODEL # CASTERKIT-LX-3LEG-BLK
- MODEL # CASTERKIT-LX-3LEG-WHT

Set of six casters for table base
Includes third foot for caster installation
Increases height by 2"
Locking casters for security

Available Finishes:

- Silver - SLV
- Black - BLK
- White - WHT

Table Bases

Available Worksurfaces

Table Base Model	List Price	Worksurface Shape	Worksurface Dimension	TFL Standard		HPL Standard		HPL Premium	
				Quick Ship	Standard Ship	Standard Ship	Standard Ship		
3VT-LX-C4848-24-_-_-	\$2,154		60"wl x 60"wr x 24"d	-	•	•	•	•	•
			72"wl x 72"wr x 24"d	-	•	•	•	•	•
3VT-LX-C4848-30-_-_-	\$2,154		60"wl x 60"wr x 30"d	-	•	•	•	•	•
			72"wl x 72"wr x 30"d	-	•	•	•	•	•
3VT-LX-C3636-24-_-_-	\$2,154		48" w x 24" d	-	•	•	•	•	•
3VT-LX-C4848-24-_-_-	\$2,154		60" w x 24" d	-	•	•	•	•	•
3VT-LX-C3636-30-_-_-	\$2,154		48" w x 30" d	-	•	•	•	•	•
3VT-LX-C4848-30-_-_-	\$2,154		60" w x 30" d	-	•	•	•	•	•
			72" w x 30" d	-	•	•	•	•	•
			60"wl x 48"wr x 24"d	-	•	•	•	•	•
3VT-LX-C4836-24-_-_-	\$2,154		72"wl x 48"wr x 24"d	-	•	•	•	•	•
			72"wl x 60"wr x 24"d	-	•	•	•	•	•
3VT-LX-C4848-24-_-_-	\$2,154		84"wl x 48"wr x 24"d	-	•	•	•	•	•
			84"wl x 60"wr x 24"d	-	•	•	•	•	•
3VT-LX-C4836-30-_-_-	\$2,154		Offset corner left	60"wl x 48"wr x 30"d	-	•	•	•	•
				72"wl x 60"wr x 30"d	-	•	•	•	•
3VT-LX-C4848-30-_-_-	\$2,154			84"wl x 48"wr x 30"d	-	•	•	•	•
				84"wl x 60"wr x 30"d	-	•	•	•	•
3VT-LX-C4836-24-_-_-	\$2,154			48"wl x 60"wr x 24"d	-	•	•	•	•
				48"wl x 72"wr x 24"d	-	•	•	•	•
			48"wl x 84"wr x 24"d	-	•	•	•	•	
3VT-LX-C4848-24-_-_-	\$2,154		60"wl x 72"wr x 24"d	-	•	•	•	•	•
			60"wl x 84"wr x 24"d	-	•	•	•	•	•
3VT-LX-C4836-30-_-_-	\$2,154		Offset corner right	48"wl x 60"wr x 30"d	-	•	•	•	•
				48"wl x 72"wr x 30"d	-	•	•	•	•
				48"wl x 84"wr x 30"d	-	•	•	•	•
3VT-LX-C4848-30-_-_-	\$2,154			60"wl x 72"wr x 30"d	-	•	•	•	•
			60"wl x 84"wr x 30"d	-	•	•	•	•	
3VT-LX-C3636-2430-_-_-	\$2,154			Please contact our Customer Service Department to specify the dimensions and laminates for this style of worksurface					
3VT-LX-C4848-2430-_-_-	\$2,154								
3VT-LX-C4836-2430-_-_-	\$2,154		Reversible configurations						

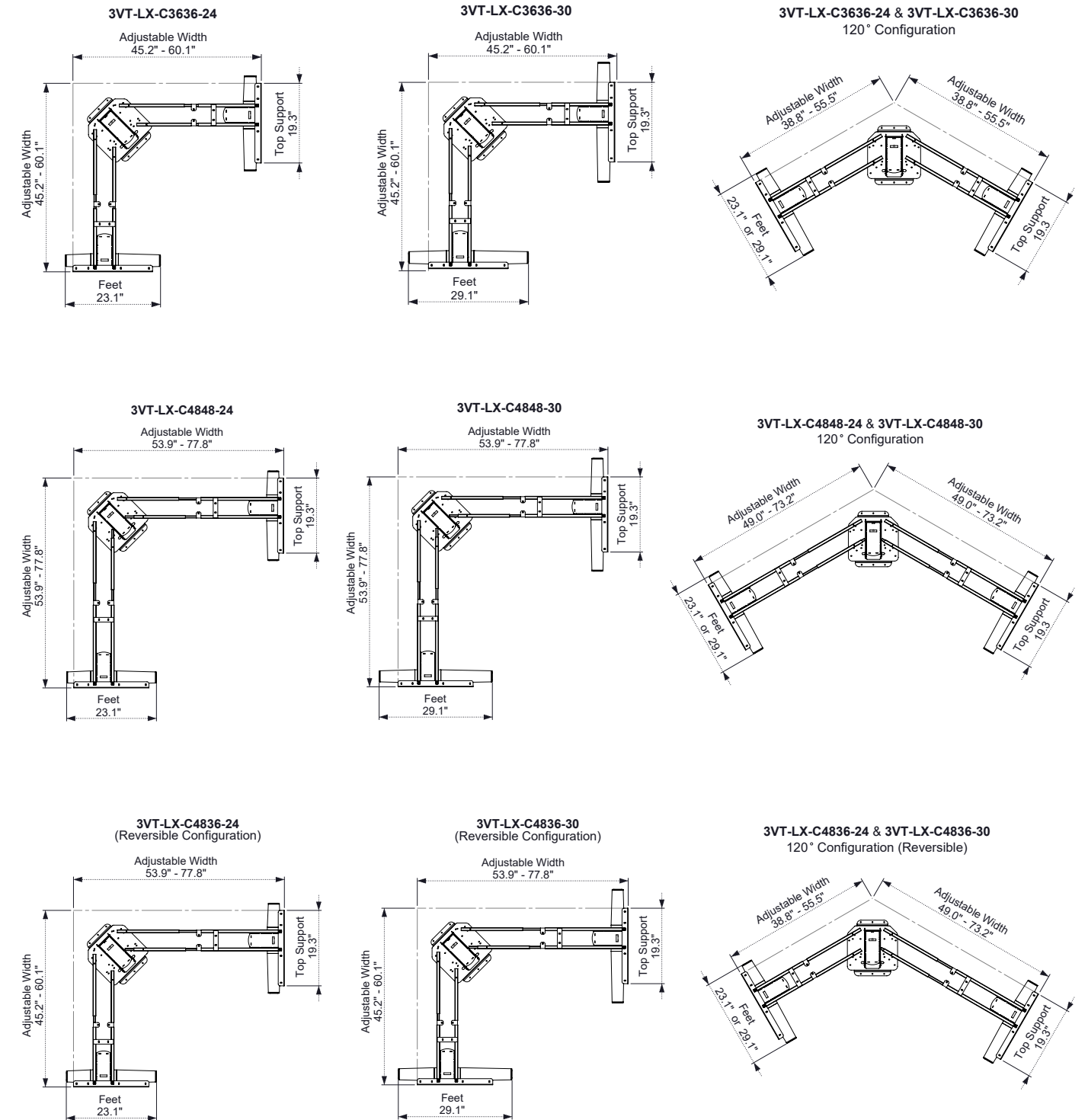
Worksurface Program

Multiple worksurface shapes and laminates are available. See pages 138-145 or worksurface details including pricing and laminate colors. TFL quick ship worksurfaces are shipped out in 48 hours, Contact Customer Service for current lead times for TFL standard and HPL standard/premium worksurfaces.

Table bases and worksurfaces can be purchased independently or as a combination. Fellowes worksurfaces are made to exact dimensions. If nominal sizing is needed, please specify when ordering.

Equal Corner worksurfaces measuring 72x72x24 and 72x72x30 will ship in 2 pieces. 120-degree worksurfaces measuring 72x24 and 72x24 will ship in 3 pieces and include joining brackets.

Victory™ LX 3-leg



Victory™ LX 2-leg Disc Base



VictoryLX 2-leg Disc Base

Electric Height Adjustable Disc Foot Table Base

\$1,565

MODEL # 2VT-LX-C48Z-T30D- _ _ _

See key below for available finish options

Features

Designed to accommodate P-Top and D-Top worksurfaces

Electric height adjustment

250 lb. base lifting capacity

14"/sec adjustment speed

26.0" height adjustment range
21.5"–47.5" (low/high)
(excluding worksurface)

Three stage adjustable legs

One 30" T-Foot. One 26" Diameter Disc Foot

Frame and column connect and lock for quick and easy assembly

Contact Fellowes Customer Service for allowable worksurface dimensions

Soft start and stop

Gyro sensor anti-collision

Two motors

ADA compliant

8'9" power cord

Table base is UL962 listed

Meets or exceeds BIFMA x5.5 guidelines

Works with peds or storage with
18.5" max.height

Low standby power consumption

Steel frame and foot construction

Digital keypad with three
memory settings

Keypad can slide under worksurface to
store out of the way

Warranty: Lifetime



Available Finishes:

Silver – SLV

Black – BLK

White – WHT

Height Adjustable Tables

Triumph™ LX



Quick Assembly

Frame and column connect and lock for quick and efficient assembly requiring minimal tools.

Gyro Sensor Anti-Collision

The sensor provides superior safety and customizable sensitivity settings.

Two Motors

Includes two motors allowing smooth height adjustment while supporting a broad range of worksurface weights.

Cross Channels

With adjustable cross channels, the table base can adapt over time with the changing technology and work gear needs of the user.

Quality Materials

Steel frame and foot construction offers outstanding stability.

Quality Testing

Meets or exceeds BIFMA x5.5 guidelines.

Triumph™LX Complete Table

Complete Quick Ship Table Model # Breakdown:

2T_-R4824-QS-T__
 | | | | | | | | | |
 a b c d e f g h i

a: number of legs
 b: type of table base
 c: finish of base
 d: worksurface shape
 e: worksurface width
 f: worksurface depth
 g: quick ship indicator
 h: laminate material
 i: laminate color

48" x 24" Quick Ship Complete Table

TriumphLX 2-leg table base with a 48"w x 24"d rectangle TFL worksurface

MODEL # 2T_-R4824-QS-T **\$1,589**

48" x 30" Quick Ship Complete Table

TriumphLX 2-leg table base with a 48"w x 30"d rectangle TFL worksurface

MODEL # 2T_-R4830-QS-T **\$1,619**

60" x 24" Quick Ship Complete Table

TriumphLX 2-leg table base with a 60"w x 24"d rectangle TFL worksurface

MODEL # 2T_-R6024-QS-T **\$1,652**

60" x 30" Quick Ship Complete Table

TriumphLX 2-leg table base with a 60"w x 30"d rectangle TFL worksurface

MODEL # 2T_-R6030-QS-T **\$1,719**

■ base finish notation ■ laminate color notation

Available Base Finishes

- Silver – S
- Black – B
- White – W

Available TFL Quick Ship Laminates

- Beigewood – BG
- Black – BK
- Designer White – DW
- Light Gray – GR
- NeoWalnut – NW

Complete Table UL Certification available. Please contact your Representative or Fellowes Customer Service for ordering information.

Triumph™LX



TriumphLX

Electric Height Adjustable Table Base

\$1,263

MODEL # 2T-LX-C36-24-___
 MODEL # 2T-LX-C36-30-___
 MODEL # 2T-LX-C48-24-___
 MODEL # 2T-LX-C48-30-___

See key below for available finish options

Features

- Electric height adjustment
- 250lb. base lifting capacity
- 14" / sec. adjustment speed
- 17" height adjustment range
 26.5"–43.5" (low/high)
 (excluding worksurface)
- Two stage adjustable legs
- C-Leg
- Frame and column connect and lock for quick and easy assembly
- Adjustable width frame accommodates worksurfaces 36"–72"
- Digital keypad with three memory settings
- Soft start and stop
- Gyro sensor anti-collision
- Table base is UL962 listed
- Locking casters available
- Warranty: Lifetime



Caster Kit

\$70

MODEL # CASTERKIT-LX-2LEG
 Set of four casters for table base
 Increases height by 2"
 Locking casters for security

Available Finishes:

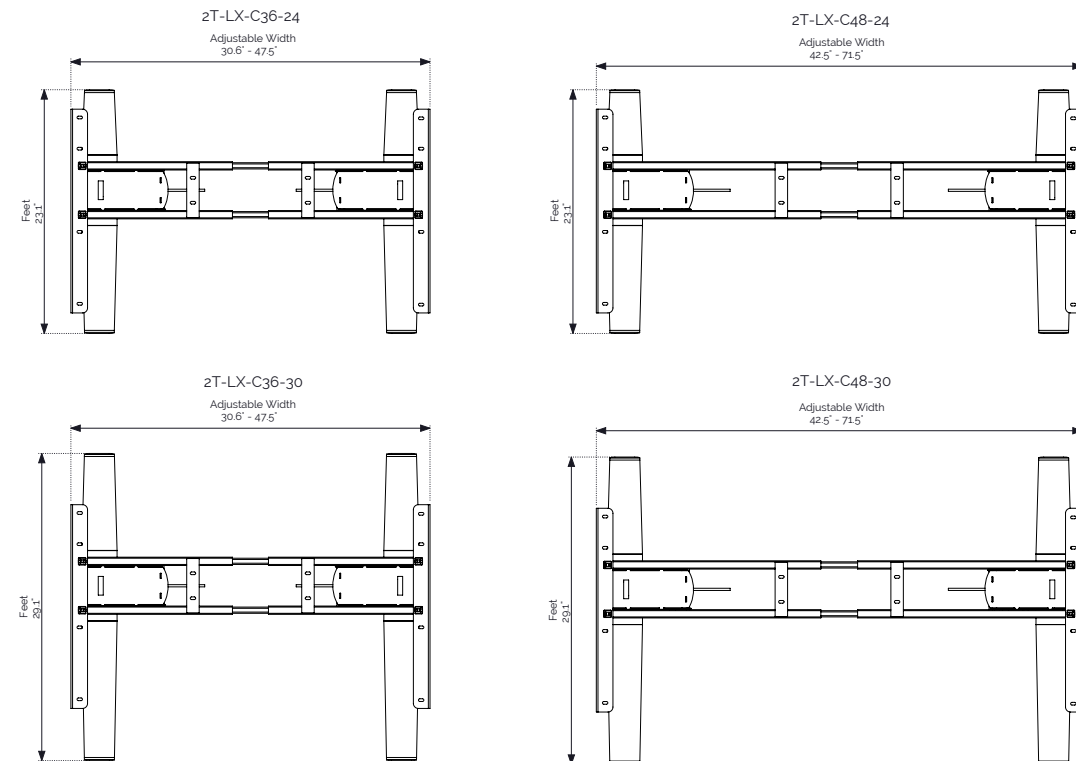
- Silver – SLV
- Black – BLK
- White – WHT

Table Bases		Available Worksurfaces							
Table base Model	List Price	Worksurface Shape	Worksurface Dimension	TFL Standard		HPL Standard		HPL Premium	
				Quick Ship	Standard Ship	Standard Ship	Standard Ship		
2T-LX-C36-24- _ _ _	\$1,263	W D Rectangle	36" w x 24" d	-
			42" w x 24" d	-
			48" w x 24" d
2T-LX-C48-24- _ _ _	\$1,263		60" w x 24" d
			72" w x 24" d	-
			36" w x 30" d	-
2T-LX-C36-30- _ _ _	\$1,263	42" w x 30" d	-	
		48" w x 30" d	
		60" w x 30" d	
2T-LX-C48-30- _ _ _	\$1,263	72" w x 30" d	-	

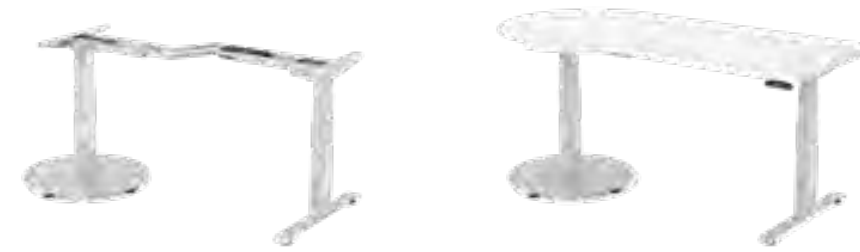
Worksurface Program

Multiple worksurface shapes and laminates are available. See pages 138-145 or worksurface details including pricing and laminate colors. TFL quick ship worksurfaces are shipped out in 48 hours, contact Customer Service for current lead times for TFL standard and HPL standard/premium worksurfaces.

Table bases and worksurfaces can be purchased independently or as a combination. Fellowes worksurfaces are made to exact dimensions. If nominal sizing is needed, please specify when ordering.



The base dimensions as shown are actual.



Triumph LX Disc Base

Electric Height Adjustable Disc Foot Table Base

\$1,335

MODEL # 2T-LX-C48Z-T30D- _ _ _
See key below for available finish options

Features

Designed to accommodate P-Top worksurfaces

Electric height adjustment

250 lb. base lifting capacity

1.4"/sec. adjustment speed

17" height adjustment range
26.5"-43.5"(low/high)
(excluding worksurface)

Two stage adjustable legs

One 30" T-Foot, One 26" Diameter Disc Foot

Frame and column connect and lock for quick and easy assembly

Contact Fellowes Customer Service for allowable worksurface dimensions

Two motors

Digital keypad with three memory settings

Soft start and stop

Gyro sensor anti-collision

ADA compliant

8'9" power cord

Steel frame and foot construction

Works with peds or storage with 23.5" max. height

Low standby power consumption

Meets or exceeds BIFMA x5.5 guidelines

Keypad can slide under worksurface to store out of the way

Warranty: Lifetime



Available Finishes:

- Silver - SLV
- Black - BLK
- White - WHT

Height Adjustable Tables

Rejuve™



Rejuve™ Complete Table

Complete Quick Ship Table Model # Breakdown:

2R__-R4824-QS-T__
| | | | | | | | | |
a b c d e f g h i

a: number of legs
b: type of table base
c: finish of base
d: worksurface shape
e: worksurface width
f: worksurface depth
g: quick ship indicator
h: laminate material
i: laminate color

48" x 24" Quick Ship Complete Table

Rejuve 2 or 3-Stage Table Base with a 48"w x 24"d rectangle TFL worksurface

MODEL # 2R__-R4824-QS-T__ 2-Stage: \$1,346 | 3-Stage: \$1,532

48" x 30" Quick Ship Complete Table

Rejuve 2 or 3-Stage Table Base with a 48"w x 30"d rectangle TFL worksurface

MODEL # 2R__-R4830-QS-T__ 2-Stage: \$1,376 | 3-Stage: \$1,562

60" x 24" Quick Ship Complete Table

Rejuve 2 or 3-Stage Table Base with a 60"w x 24"d rectangle TFL worksurface

MODEL # 2R__-R6024-QS-T__ 2-Stage: \$1,409 | 3-Stage: \$1,595

60" x 30" Quick Ship Complete Table

Rejuve 2 or 3-Stage Table Base with a 60"w x 30"d rectangle TFL worksurface

MODEL # 2R__-R6030-QS-T__ 2-Stage: \$1,476 | 3-Stage: \$1,662

■ base finish notation ■ laminate color notation

Available Base Types

R2 – 2-stage Base

R3 – 3-stage Base

Available Base Finishes

Platinum – P

Black – B

Designer White – W

Available TFL Quick Ship Laminates

Beigewood – BG

Black – BK

Designer White – DW

Light Gray – GR

NeoWalnut – NW

Rejuve Table

Quick ship complete table options include: silver, black, or white table bases; 48"w x 24"d, 48"w x 30"d, 60"w x 24"d and 60"w x 30"d rectangle worksurfaces; all five TFL laminates.

For all other combinations, please call our Customer Service Department for the estimated lead time and cost.

Multiple worksurface shapes and laminates are available. See Complete Table and Worksurface Guide for worksurface details including laminate colors.

Rejuve™



Rejuve

Electric Height Adjustable Table Bases

2-stage: **\$1,020**

3-stage: **\$1,206**

MODEL # REJ-2S-C3624-___
 MODEL # REJ-2S-C3630-___
 MODEL # REJ-2S-C4824-___
 MODEL # REJ-2S-C4830-___

MODEL # REJ-3S-C3624-___
 MODEL # REJ-3S-C3630-___
 MODEL # REJ-3S-C4824-___
 MODEL # REJ-3S-C4830-___

See key below for available finish options

Features

Electric height adjustment
 220 lb. base lifting capacity
 1.4"/sec. adjustment speed

Height adjustment range
 - Two-Stage:
 17": 26.5"–43.5" (low/high)
 - Three-Stage:
 26": 21.5"–47.5" (low/high)
 (excluding worksurface)

C-leg

Adjustable width frame accommodates
 worksurfaces 36"–72"

Two motors

Digital keypad with two memory settings
 Soft start and stop

Gyro sensor anti-collision

ADA compliant

8'9" power cord

Steel frame and foot construction

Works with peds or storage with
 23.5" max. height

Low standby power consumption

Meets or exceeds BIFMA x5.5 guidelines

Complete tables available
 (base and top)

Warranty: Lifetime



Rejuve™

Table Base Model	List Price	Worksurface Shape	Worksurface Dimension	Available Worksurfaces			
				TFL Standard	HPL Standard	HPL Premium	
				Quick Ship	Standard Ship	Standard Ship	Standard Ship
			36"w x 24"d	-	.	.	.
REJ-2S-C3624-___ or REJ-3S-C3624-___	\$1,020 \$1,206		42"w x 24"d	-	.	.	.
			48"w x 24"d
REJ-2S-C48-24-___ or REJ-3S-C48-24-___	\$1,020 \$1,206		60"w x 24"d
		 Rectangle	72"w x 24"d	-	.	.	.
			36"w x 30"d	-	.	.	.
REJ-2S-C36-30-___ or REJ-3S-C36-30-___	\$1,020 \$1,206		42"w x 30"d	-	.	.	.
			48"w x 30"d
REJ-2S-48-30-___ or REJ-3S-48-30-___	\$1,020 \$1,206		60"w x 30"d
			72"w x 30"d	-	.	.	.

Worksurface Program

Multiple worksurface shapes and laminates are available. See pages 138–145 or worksurface details including pricing and laminate colors. TFL quick ship worksurfaces are shipped out in 48 hours, contact Customer Service for current lead times for TFL standard and HPL standard/premium worksurfaces.

Table bases and worksurfaces can be purchased independently or as a combination.

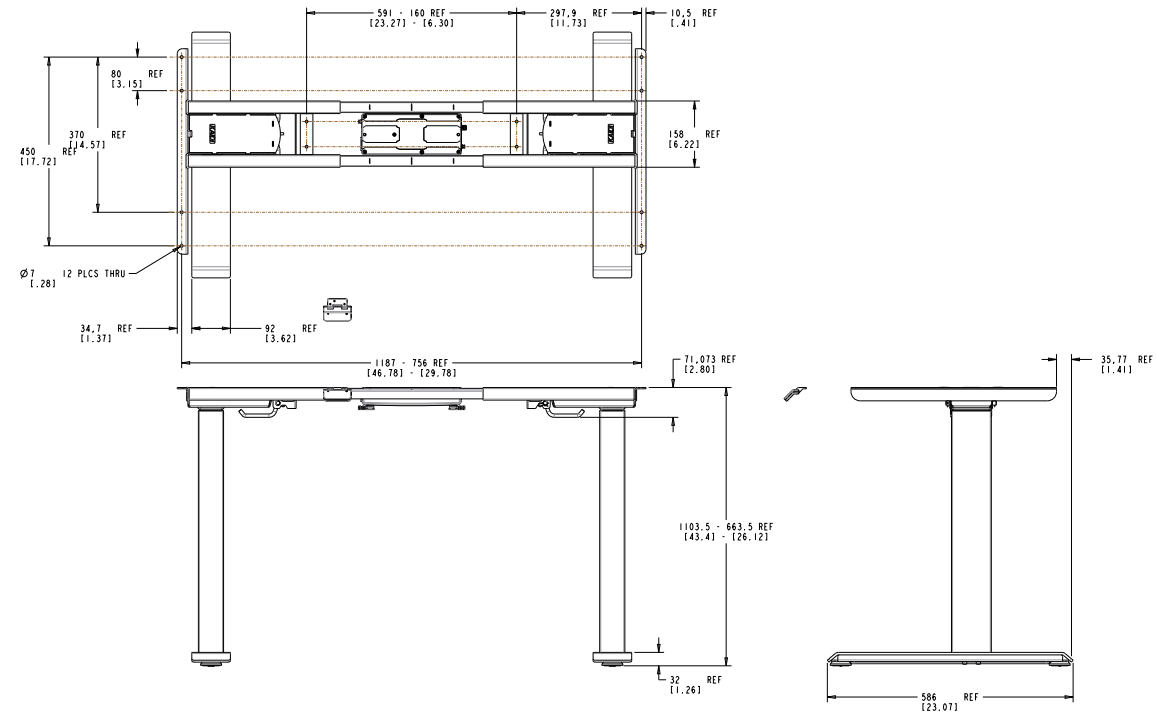
Fellowes worksurfaces are made to exact dimensions. If nominal sizing is needed, please specify when ordering.

Available Finishes:

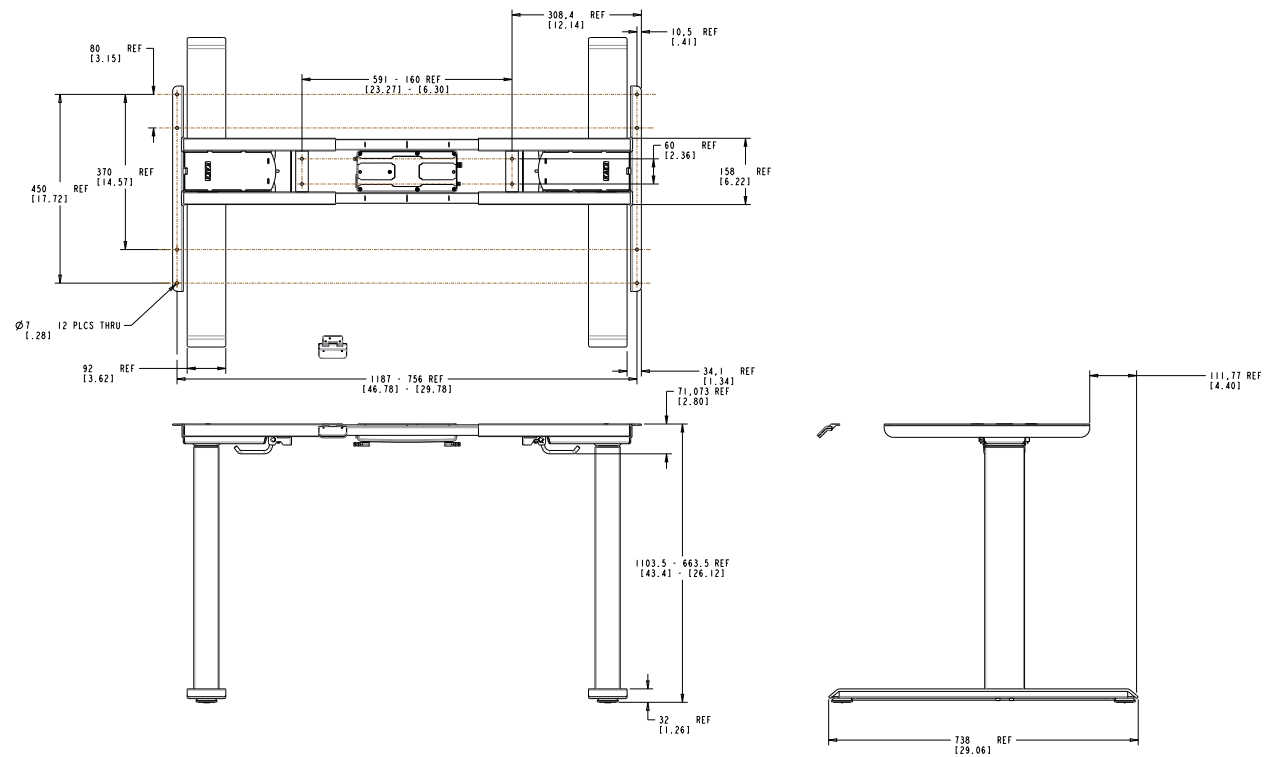
- Platinum - PLT
- Black - BLK
- White - WHT

Rejuve™

REJ-2S-C3624

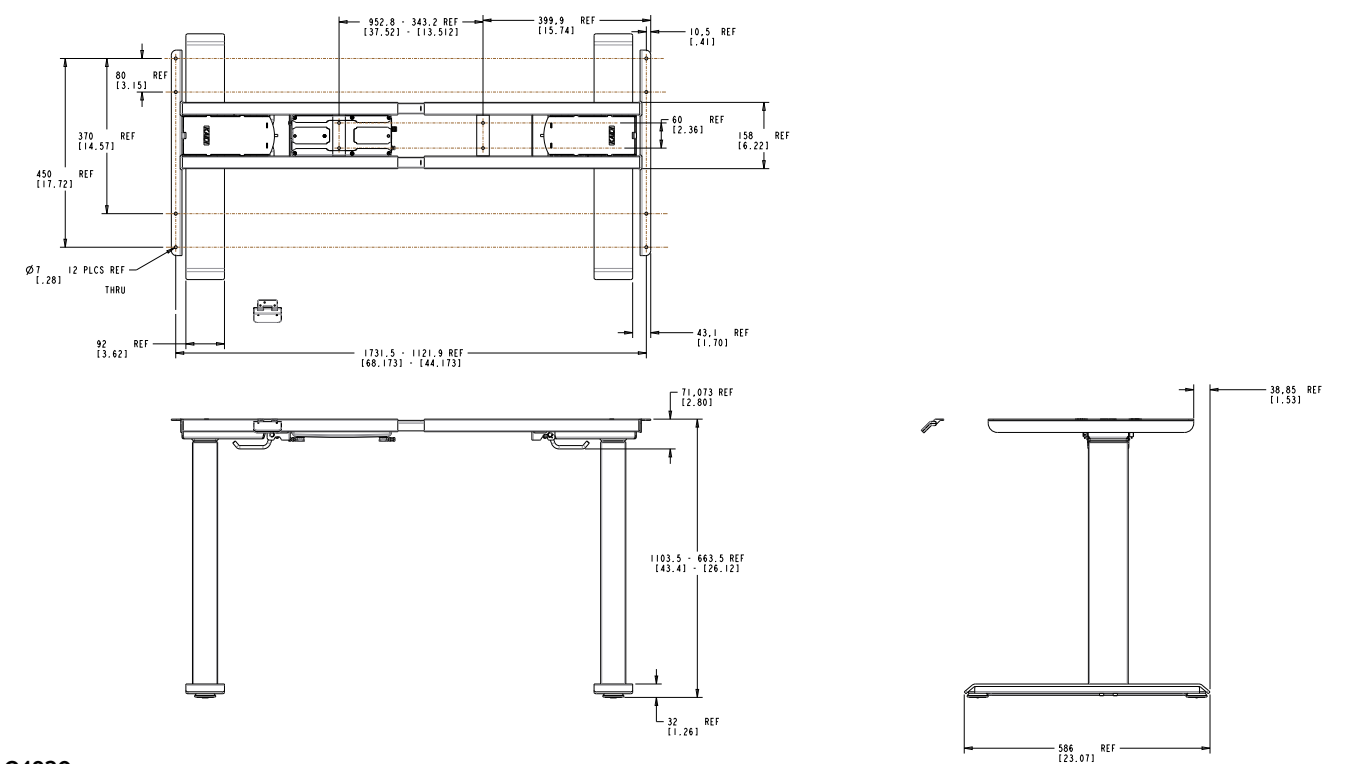


REJ-2S-C3630

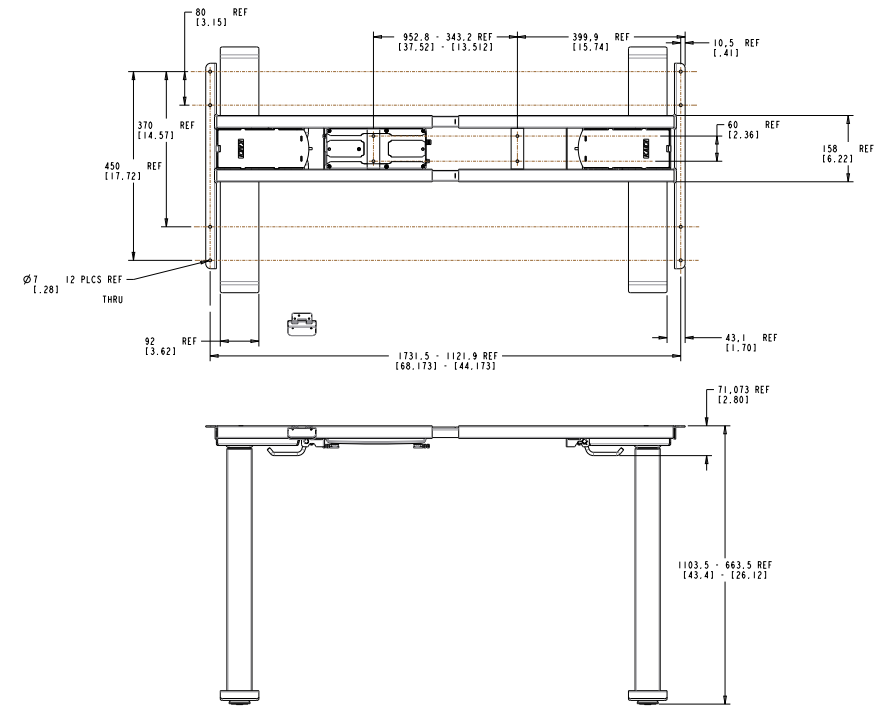


Rejuve™

REJ-2S-C4824

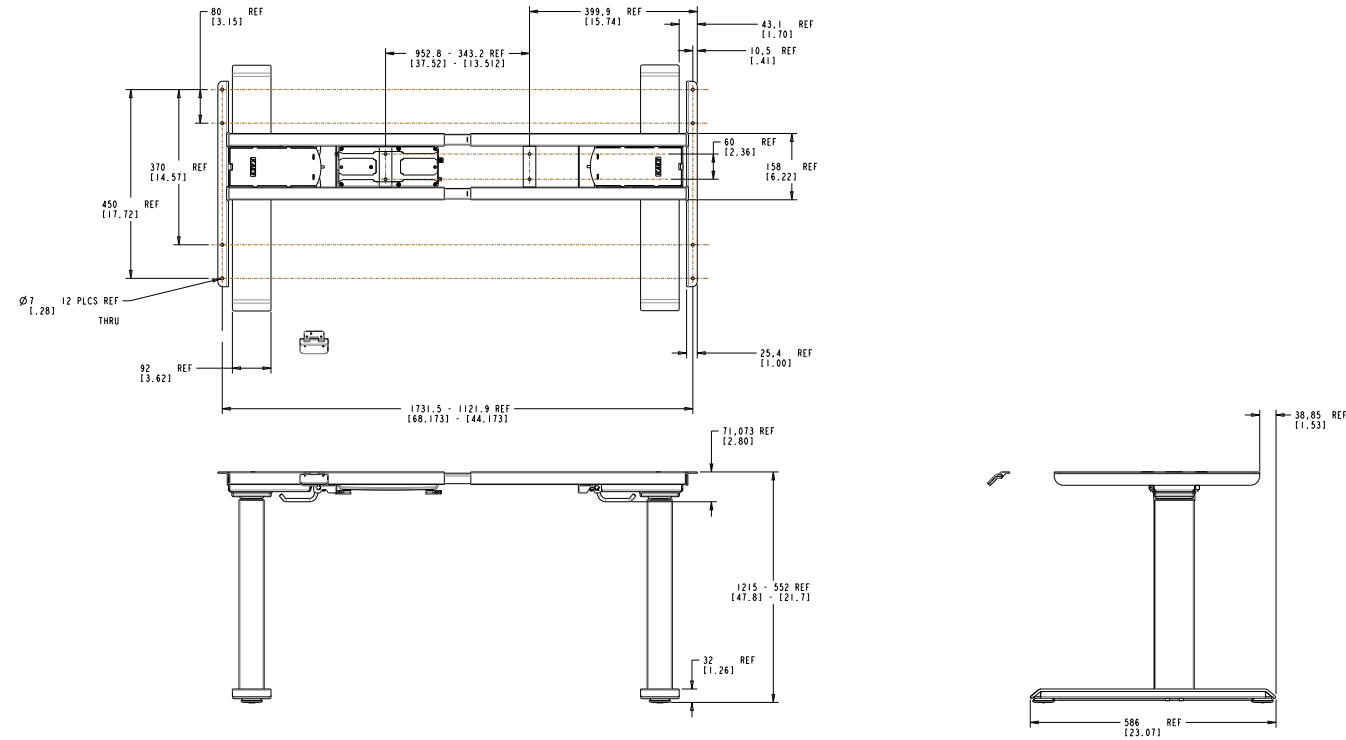


REJ-2S-C4830

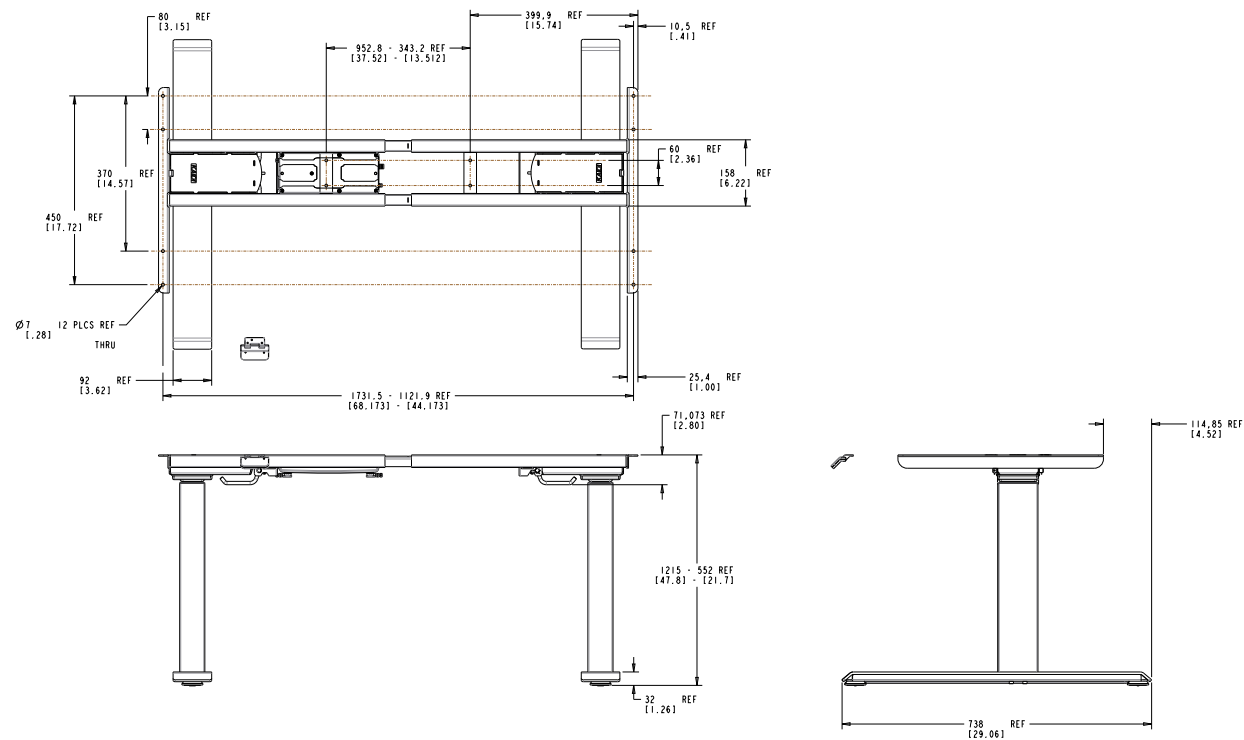


Rejuve™

REJ-3S-C4824



REJ-3S-C4830



Height Adjustable Tables

Trada™



Two Motors

Includes two motors allowing smooth height adjustment while supporting a broad range of worksurface weights.

Cross Channels

With adjustable cross channels, the table base can adapt over time with the changing technology and work gear needs of the user.

Quality Materials

Steel frame and foot construction offers outstanding stability.

Quality Testing

Meets or exceeds BIFMA x5.5 guidelines.

Trada™ Complete Table



Complete Quick Ship Table Model # Breakdown:

2TD_-R4824-QS-T__
 | | | | | | | | | |
 a b d e f g h i j

2TDM_-R4824-QS-T__
 | | | | | | | | | |
 a b c d e f g h i j

b: type of table base
 c: 4-memory digital keypad
 a: number of legs
 d: finish of base
 e: worksurface shape
 f: worksurface width
 g: worksurface depth
 h: quick ship indicator
 i: laminate material (TFL)
 j: laminate

48" x 24" Quick Ship Complete Table

Trada table base with a 48" w x 24" d rectangle TFL worksurface with standard keypad

MODEL # 2TD_-R4824-QS-T **\$1,618**

Trada table base with a 48" w x 24" d rectangle TFL worksurface with digital keypad

MODEL # 2TDM_-R4824-QS-T **\$1,696**

48" x 30" Quick Ship Complete Table

Trada table base with a 48" w x 30" d rectangle TFL worksurface with standard keypad

MODEL # 2TD_-R4830-QS-T **\$1,648**

Trada table base with a 48" w x 30" d rectangle TFL worksurface with digital keypad

MODEL # 2TDM_-R4830-QS-T **\$1,726**

60" x 24" Quick Ship Complete

Trada table base with a 60" w x 24" d rectangle TFL worksurface with standard keypad

MODEL # 2TD_-R6024-QS-T **\$1,681**

Trada table base with a 60" w x 24" d rectangle TFL worksurface with digital keypad

MODEL # 2TDM_-R6024-QS-T **\$1,759**

60" x 30" Quick Ship Complete Table

Trada table base with a 60" w x 30" d rectangle TFL worksurface with standard keypad

MODEL # 2TD_-R6030-QS-T **\$1,747**

Trada table base with a 60" w x 30" d rectangle TFL worksurface with digital keypad

MODEL # 2TDM_-R6030-QS-T **\$1,825**

■ base finish notation ■ laminate color notation

Trada Table

Quick ship complete table options include: silver, black, or white table bases; 48" w x 24" d, 48" w x 30" d, 60" w x 24" d and 60" w x 30" d rectangle worksurfaces; all five TFL laminates. For all other combinations, please call our Customer Service Department for the estimated lead time and cost.

Multiple worksurface shapes and laminates are available. See Complete Table and Worksurface Guide for worksurface details including laminate colors.

Available Base Finishes

- Silver – S
- Black – B
- White – W

Available TFL Quick Ship Laminates

- Beigewood – BG
- Black – BK
- Designer White – DW
- Light Gray – GR
- NeoWalnut – NW

Trada™ 2-leg



Trada 2-leg

Electric Height Adjustable Table Base

Standard Keypad: **\$1,291**

MODEL # 2TD-C48-24-_-_-
 MODEL # 2TD-C48-30-_-_-

Digital 4-Memory Keypad: **\$1,370**

MODEL # 2TDM-C48-24-_-_-
 MODEL # 2TDM-C48-30-_-_-

See key below for available finish options

Features

- Electric height adjustment
- 265 lb. base lifting capacity
- 1.5" / sec. adjustment speed
- 25.5" height adjustment range
- 24.5"-50" (low/high) (excluding worksurface)
- Anti-collision
- Three stage adjustable legs
- C-Leg
- Adjustable width frame accommodates worksurfaces 48"-72"
- Standard keypad with up and down buttons or digital 4-memory keypad available
- Soft start and stop
- Table base is UL962 listed
- Low standby power consumption
- Complete tables available (base and top)
- Warranty: Lifetime



Digital 4 Memory Keypad

\$78

MODEL # 2TDM-DGTLKPD

Digital Programmable Keypad with 4 memory settings

Includes up and down buttons, a digital read out, 4 memory presets and a programmable upper and lower limit

Sleep Mode to decrease power consumption

Caster Kit

\$35

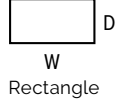
MODEL # CASTERKIT-2TD

Set of four casters for table base
 Increases height by 2"
 Locking casters for security

Available Finishes:

- Silver – SLV
- Black – BLK
- White – WHT

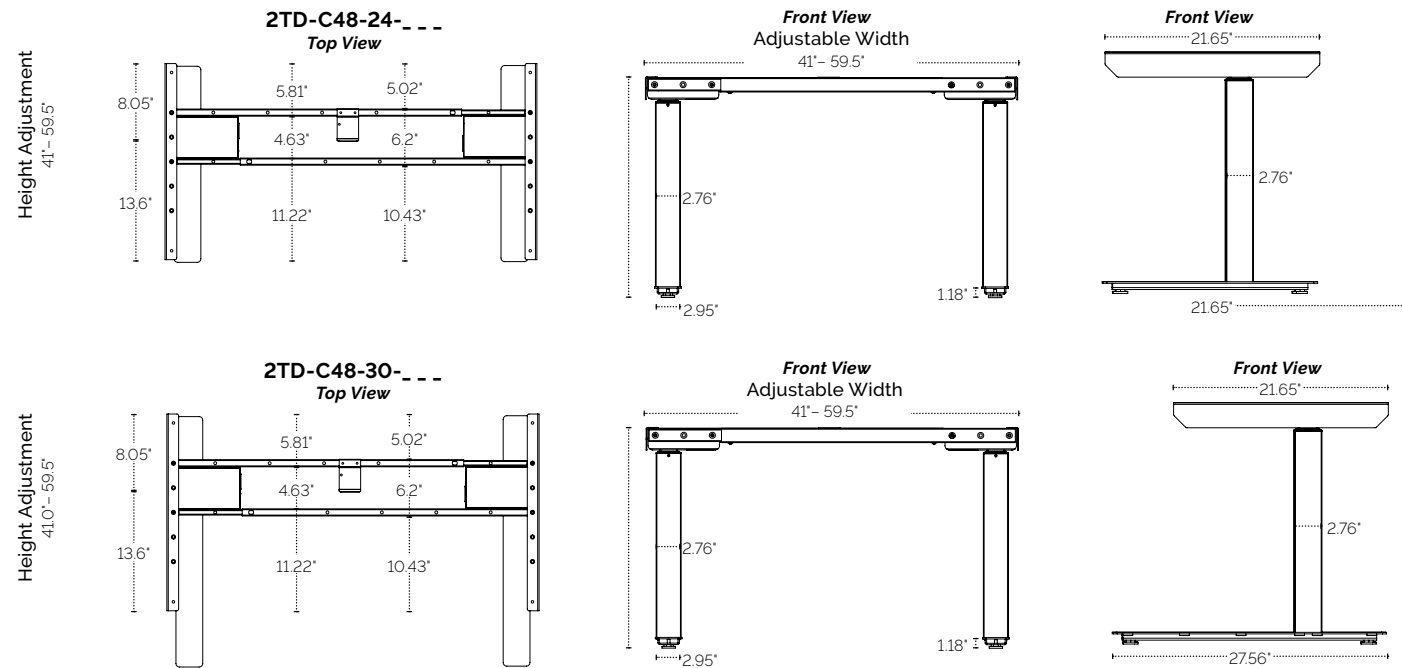
Trada™ 2-leg

Table Bases		Available Worksurfaces					
Table Base Model	List Price	Worksurface Shape	Worksurface Dimension	TFL Standard		HPL Standard	
				Quick Ship	Standard Ship	Standard Ship	Standard Ship
			48"w x 24"d
			60"w x 24"d	-	.	.	.
2TD-C48-24-_-_-	\$1,291	 Rectangle	72"w x 24"d	-	.	.	.
2TDM-C48-24-_-_-	\$1,370		48"w x 30"d	-	.	.	.
			60"w x 30"d
			72"w x 30"d	-	.	.	.

Worksurface Program

Multiple worksurface shapes and laminates are available. See pages 138-145 or worksurface details including pricing and laminate colors. TFL quick ship worksurfaces are shipped out in 48 hours, contact Customer Service for current lead times for TFL standard and HPL standard/premium worksurfaces.

Table bases and worksurfaces can be purchased independently or as a combination. Fellowes worksurfaces are made to exact dimensions. If nominal sizing is needed, please specify when ordering.



The base dimensions as shown are actual.

Trada™ 3-leg



Trada 3-leg

Electric Height Adjustable Table Base

Standard Keypad: \$2,000

3TD-C4848-24-_-_-
3TD-C4848-30-_-_-

Digital 4-Memory Keypad: \$2,078

3TDM-C4848-24-_-_-
3TDM-C4848-30-_-_-

See key below for available finish options

Features

- Electric height adjustment
- 397lb. base lifting capacity
- 1.5"/sec adjustment speed
- 25.5" height adjustment range
- 24.5"-50" (low/high) (excluding worksurface)
- Anti-collision safety feature
- Three stage adjustable legs
- C-leg
- Adjustable width frame accommodates worksurfaces 48"-72"
- Soft start and stop
- Locking casters available
- Three motors

ADA compliant

9' power cord

Table base is UL962 listed

Meets or exceeds BIFMA x5.5 guidelines

Works with peds or storage with 22" max. height

Low standby power consumption

Steel frame and foot construction

Standard keypad with up and down buttons or digital 4-memory keypad available

Complete tables available (base and top)

Warranty: Lifetime



Digital 4 Memory Keypad

\$78

MODEL # 2TDM-DGTLKPD

Digital Programmable Keypad with 4 memory settings

Includes up and down buttons, a digital read out, 4 memory presets and a programmable upper and lower limit

Sleep Mode to decrease power consumption

Caster Kit

\$44

MODEL # CASTERKIT-2TD

Set of four casters for table base
Increases height by 2"
Locking casters for security

Available Finishes:

- Silver - SLV
- Black - BLK
- White - WHT

Trada™ 3-leg

Table Bases		Available Worksurfaces					
Table base Model	List Price	Worksurface Shape	Worksurface Dimension	TFL Standard		HPL Standard	HPL Premium
				Quick Ship	Standard Ship	Standard Ship	Standard Ship
3TD-C4848-24-___ 3TDM-C4848-24-___	\$2,000 \$2,078		60"wl x 60"wr x 24"d	-	•	•	•
			72"wl x 72"wr x 24"d	-	•	•	•
3TD-C4848-30-___ 3TDM-C4848-30-___	\$2,000 \$2,078	Equal Corner	60"wl x 60"wr x 30"d	-	•	•	•
			72"wl x 72"wr x 30"d	-	•	•	•

Worksurface Program

Multiple worksurface shapes and laminates are available. See pages 138–145 or worksurface details including pricing and laminate colors. TFL quick ship worksurfaces are shipped out in 48 hours, contact Customer Service for current lead times for TFL standard and HPL standard/premium worksurfaces.

Table bases and worksurfaces can be purchased independently or as a combination.

Fellowes worksurfaces are made to exact dimensions. If nominal sizing is needed, please specify when ordering.

Trada™ 3-leg

Table Bases		Available Worksurfaces					
Table base Model	List Price	Worksurface Shape	Worksurface Dimension	TFL Standard		HPL Standard	HPL Premium
				Quick Ship	Standard Ship	Standard Ship	Standard Ship
3TD-C4848-24-___ 3TDM-C4848-24-___	\$2,000 \$2,078		60"wr x 48"wl x 24"d	-	•	•	•
			72"wl x 48"wr x 24"d	-	•	•	•
3TD-C4848-24-___ 3TDM-C4848-24-___	\$2,000 \$2,078		72"wl x 60"wr x 24"d	-	•	•	•
			84"wl x 48"wr x 24"d	-	•	•	•
3TD-C4848-24-___ 3TDM-C4848-24-___	\$2,000 \$2,078	Offset Corner Left	84"wl x 60"wr x 24"d	-	-	•	•
			60"wl x 48"wr x 30"d	-	•	•	•
3TD-C4848-30-___ 3TDM-C4848-30-___	\$2,000 \$2,078	Offset Corner Left	72"wl x 48"wr x 30"d	-	•	•	•
			72"wl x 60"wr x 30"d	-	•	•	•
3TD-C4848-30-___ 3TDM-C4848-30-___	\$2,000 \$2,078	Offset Corner Left	84"wl x 48"wr x 30"d	-	-	•	•
			84"wl x 60"wr x 30"d	-	-	•	•
3TD-C4848-24-___ 3TDM-C4848-24-___	\$2,000 \$2,078		48"wl x 60"wr x 24"d	-	•	•	•
			48"wl x 72"wr x 24"d	-	•	•	•
3TD-C4848-24-___ 3TDM-C4848-24-___	\$2,000 \$2,078		60"wl x 72"wr x 24"d	-	•	•	•
			48"wl x 84"wr x 24"d	-	•	•	•
3TD-C4848-24-___ 3TDM-C4848-24-___	\$2,000 \$2,078	Offset Corner Right	60"wl x 84"wr x 24"d	-	-	•	•
			48"wl x 60"wr x 30"d	-	•	•	•
3TD-C4848-30-___ 3TDM-C4848-30-___	\$2,000 \$2,078	Offset Corner Right	48"wl x 72"wr x 30"d	-	•	•	•
			48"wl x 84"wr x 30"d	-	•	•	•
3TD-C4848-30-___ 3TDM-C4848-30-___	\$2,000 \$2,078	Offset Corner Right	60"wl x 72"wr x 30"d	-	-	•	•
			60"wl x 84"wr x 30"d	-	-	•	•

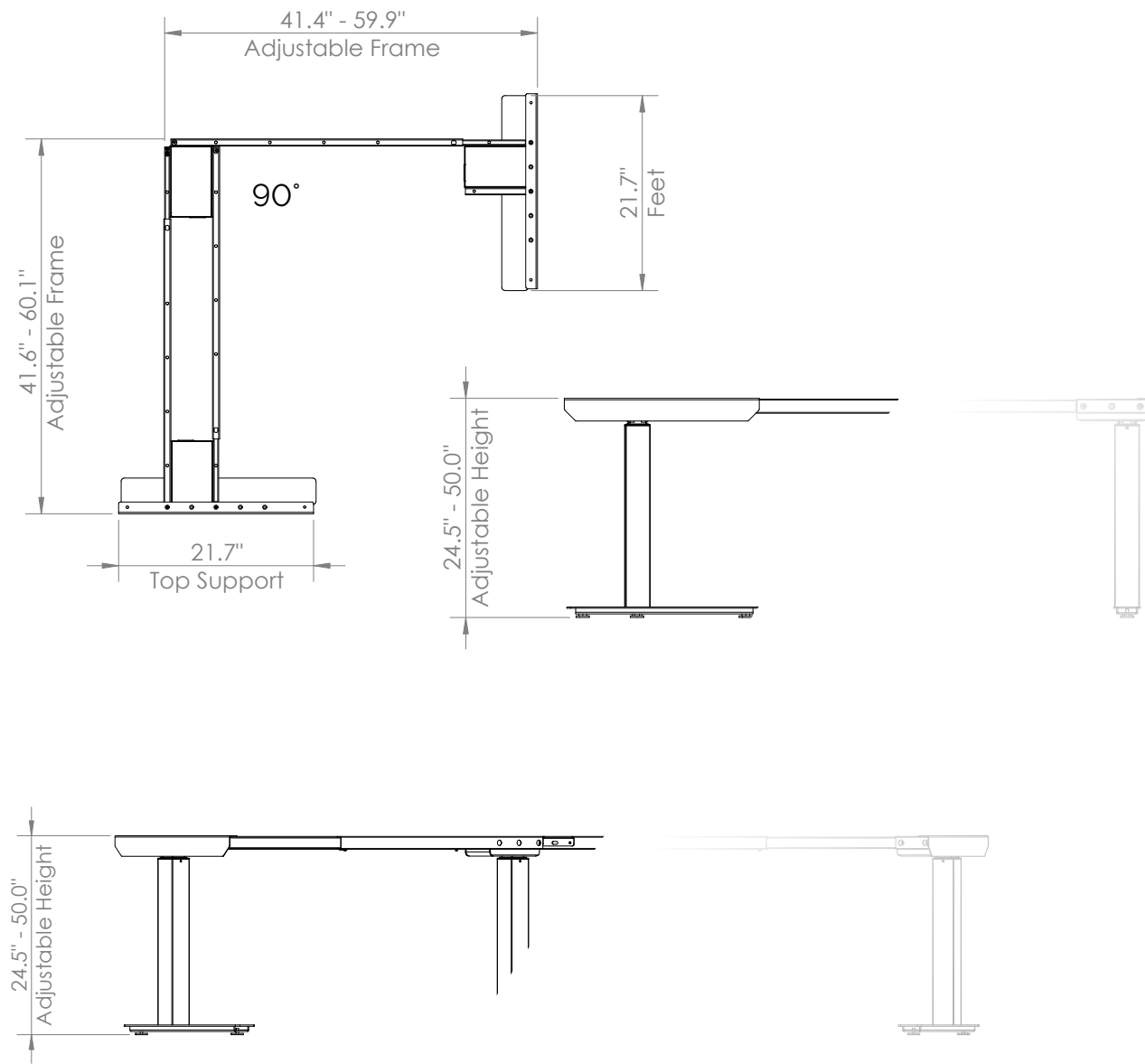
Worksurface Program

Multiple worksurface shapes and laminates are available. See pages 138–145 or worksurface details including pricing and laminate colors. TFL quick ship worksurfaces are shipped out in 48 hours, contact Customer Service for current lead times for TFL standard and HPL standard/premium worksurfaces.

Table bases and worksurfaces can be purchased independently or as a combination.

Fellowes worksurfaces are made to exact dimensions. If nominal sizing is needed, please specify when ordering.

Trada™ 3-leg



The base dimensions as shown are actual.

Height Adjustable Tables

Levado™



Levado™ Complete Table

Complete Quick Ship Table Model # Breakdown:

2LP-R4824-QS-T--
 | | | | | | | | | |
 a b c d e f g h i

a: number of legs
 b: type of table base
 c: finish of base
 d: worksurface shape
 e: worksurface width
 f: worksurface depth
 g: quick ship indicator
 h: laminate material
 i: laminate color

48" x 24" Quick Ship Complete Table

Levado 2-leg table base with a 48"w x 24"d rectangle TFL worksurface

MODEL # 2L-R4824-QS-T- \$2,189

48" x 30" Quick Ship Complete Table

Levado 2-leg table base with a 48"w x 30"d rectangle TFL worksurface

MODEL # 2L-R4830-QS-T- \$2,219

60" x 24" Quick Ship Complete Table

Levado 2-leg table base with a 60"w x 24"d rectangle TFL worksurface

MODEL # 2L-R6024-QS-T- \$2,252

60" x 30" Quick Ship Complete Table

Levado 2-leg table base with a 60"w x 30"d rectangle TFL worksurface

MODEL # 2L-R6030-QS-T- \$2,319

■ base finish notation ■ laminate color notation

Available Base Finishes

Platinum – P

Available TFL Quick Ship Laminates

Beigewood – BG

Black – BK

Designer White – DW

Light Gray – GR

NeoWalnut – NW

Levado™



Wire Management Tray

Levado

Electric Height Adjustable Table Base

\$1,863

MODEL # 2LV-PLT

Features

Electric height adjustment

220lb. base lifting capacity

1.4"/sec adjustment speed

24" height adjustment range

24.5"–48.5" (low/high)
 (excluding worksurface)

Three stage adjustable legs

Ships complete in the box with no frame assembly

C-leg

Foot depth is 27.5"
 (patented design)

Patent Pending SwiftLock™ – foldable legs that lock in place

Adjustable width frame supports worksurfaces 24–30" deep and 48"–72" wide

9' power cord

4 program digital read out intuitive Feather Lift™ control paddle

Anti-collision safety feature

Soft start and stop

Wire management tray included

Steel construction

Low standby power consumption

Table base is UL962 listed

Two motors

ADA compliant

Complete tables available
 (base and top)

Warranty: Lifetime



Lifetime Warranty

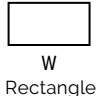
Levado 2-Leg Table

Quick ship complete table options include: platinum table bases; 48"w x 24"d, 48"w x 30"d, 60"w x 24"d and 60"w x 30"d rectangle worksurfaces; all five TFL laminates. For all other combinations, please call our Customer Service Department for the estimated lead time and cost.

Multiple worksurface shapes and laminates are available. See Complete Table and Worksurface Guide for worksurface details including laminate colors.

Available Finishes:

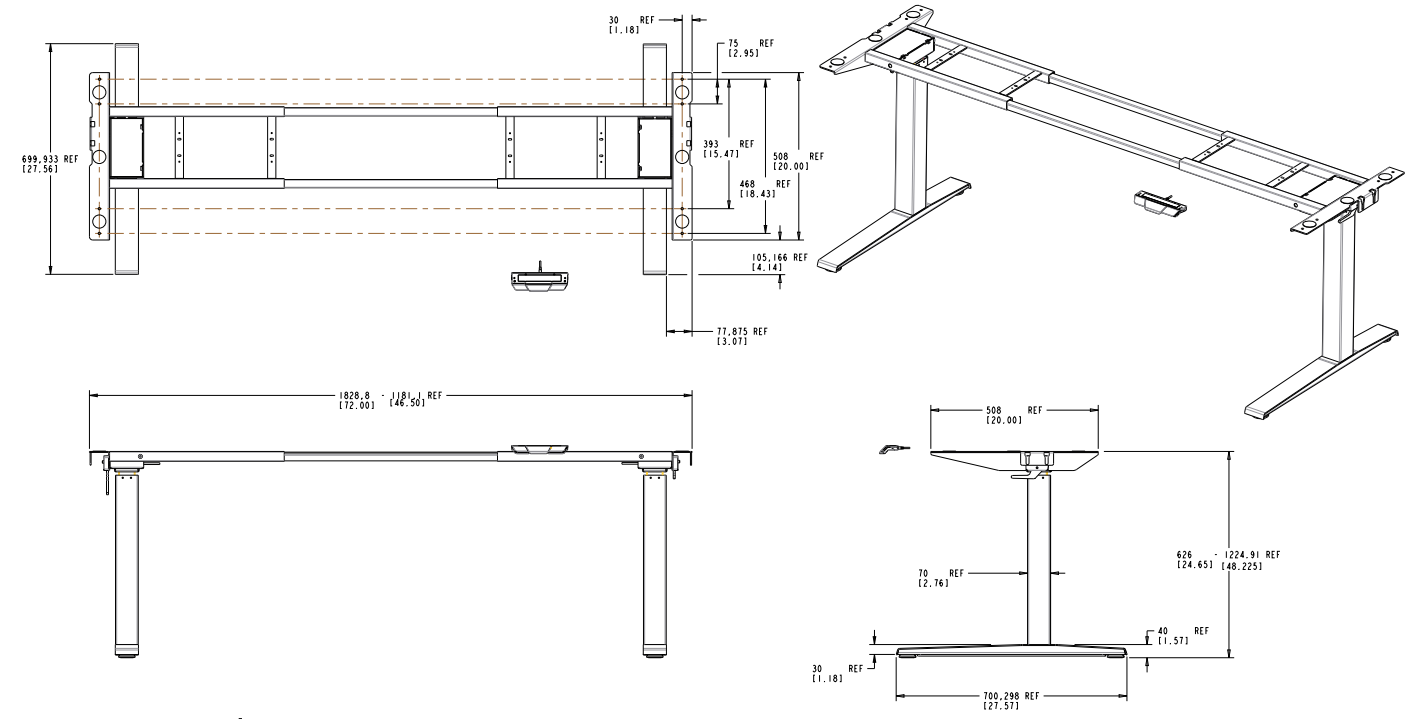
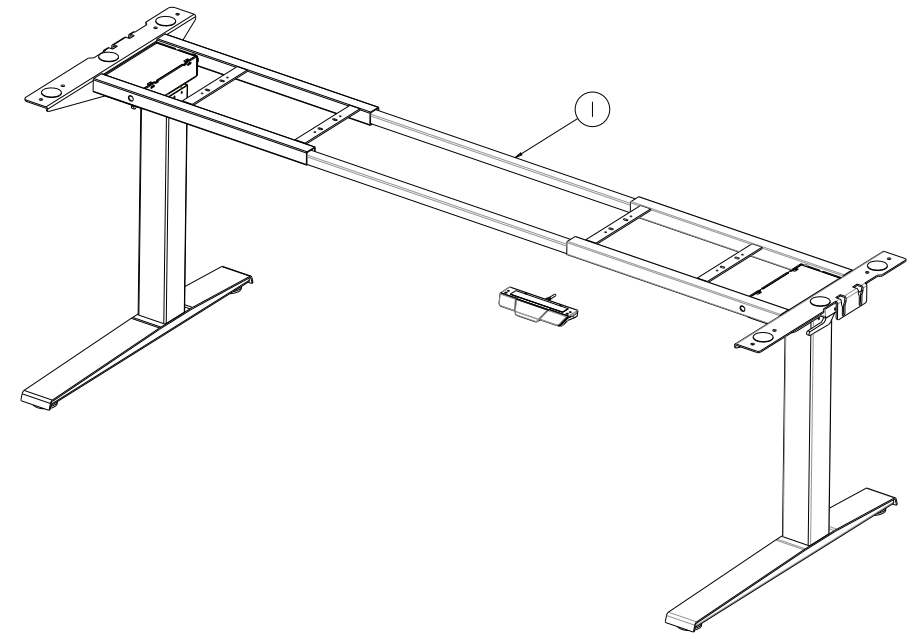
Platinum – PLT

Table Bases		Available Worksurfaces					
Table base Model	List Price	Worksurface Shape	Worksurface Dimension	TFL Standard		HPL Standard	HPL Premium
				Quick Ship	Standard Ship	Standard Ship	Standard Ship
2LV-PLT	\$1,863	 W D Rectangle	48"w x 24"d	•	•	•	•
			60"w x 24"d	•	•	•	•
			72"w x 24"d	-	•	•	•
			36"w x 30"d	-	•	•	•
			42"w x 30"d	-	•	•	•
			48"w x 30"d	•	•	•	•
			60"w x 30"d	•	•	•	•
72"w x 30"d	-	•	•	•			

Worksurface Program

Multiple worksurface shapes and laminates are available. See pages 138-145 or worksurface details including pricing and laminate colors. TFL quick ship worksurfaces are shipped out in 48 hours, contact Customer Service for current lead times for TFL standard and HPL standard/premium worksurfaces.

*Table bases and worksurfaces can be purchased independently or as a combination.
 Fellowes worksurfaces are made to exact dimensions. If nominal sizing is needed, please specify when ordering.*



Height Adjustable Tables

Weight Adjustable Espree™

The Weight Adjustable Espree includes a gauge that supports a broad range of worksurface weights for easy height adjustment. This allows the table to adapt over time with the changing technology and work tool needs of the user.



Weight Adjustable Espree™ Complete Table



Complete Quick Ship Table Model # Breakdown:

2ESPWA_-R4824-QS-T__
| | | | | | | | | |
a b c d e f g h i

a: number of legs
b: type of table base
c: finish of base
d: worksurface shape
e: worksurface width
f: worksurface depth
g: quick ship indicator
h: laminate material (TFL)
i: laminate color

48" x 24" Quick Ship Complete Table

Weight Adjustable Espree 2-leg table base with a 48"w x 24"d rectangle TFL worksurface

MODEL # 2ESPWA_-R4824-QS-T_ \$3,063

48" x 30" Quick Ship Complete Table

Weight Adjustable Espree 2-leg table base with a 48"w x 30"d rectangle TFL worksurface

MODEL # 2ESPWA_-R4830-QS-T_ \$3,093

60" x 24" Quick Ship Complete Table

Weight Adjustable Espree 2-leg table base with a 60"w x 24"d rectangle TFL worksurface

MODEL # 2ESPWA_-R6024-QS-T__ \$3,235

60" x 30" Quick Ship Complete Table

Weight Adjustable Espree 2-leg table base with a 60"w x 30"d rectangle TFL worksurface

MODEL # 2ESPWA_-R6030-QS-T__ \$3,301

■ base finish notation ■ laminate color notation

Available Base Finishes

- Silver - S
- Black - B
- White - W

Available TFL Quick Ship Laminates

- Beigewood - BG
- Black - BK
- Designer White - DW
- Light Gray - GR
- NeoWalnut - NW

Weight Adjustable Espree Table

Quick ship complete table options include: silver, black or white table base; 48"w x 24"d, 48"w x 30"d, 60"w x 24"d and 60"w x 30"d rectangle worksurfaces; all five TFL laminates. For all other combinations, please call our Customer Service Department for the estimated lead time and cost.

Multiple worksurface shapes and laminates are available. See pages 138-145 or worksurface details including laminate colors.

For all other complete table options reference the Complete Table and Worksurface Guide at fellowes.com.

Weight Adjustable Espree™



Weight Adjustable Espree

Pneumatic Height Adjustable Table Base

48": \$2,737

60": \$2,845

MODEL # 2ESP-WA-C48- _ _ _

MODEL # 2ESP-WA-C60- _ _ _

See key below for available finish options

Features

Pneumatic height adjustment

44lb.-143lb. base lifting capacity
(2ESP-WA-C48)

52lb.-163lb. base lifting capacity
(2ESP-WA-C60)

19.5" height adjustment range
26.3"-45.8" (low/high)
(excluding worksurface)

Three stage adjustable legs

C-Leg

Foot is adjustable to 22" or 28"
(patented design)

Fixed width frame

Weight adjustable with adjustment gauge

Includes adjustment tools

Locking casters available

Warranty: Lifetime



Caster Kit

\$91

MODEL # CASTERKIT-ESP-WA

Set of four casters for table base
Increases height by 2"
Locking casters for security

Available Finishes:

- Silver - SLV
- Black - BLK
- White - WHT

Weight Adjustable Espree™

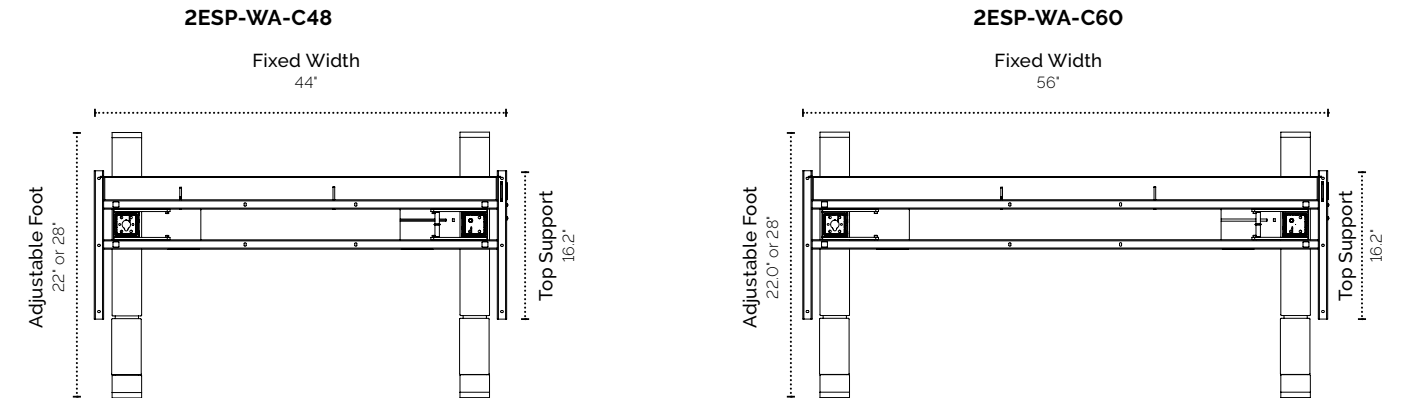
Table Bases		Available Worksurfaces					
Table Base Model	List Price	Worksurface Shape	Worksurface Dimension	TFL Standard		HPL Standard	
				Quick Ship	Standard Ship	Standard Ship	Standard Ship
2ESP-WA-C48- _ _ _	\$2,737		48"w x 24"d
			48"w x 30"d
2ESP-WA-C60- _ _ _	\$2,845	Rectangle	60"w x 24"d
			60"w x 30"d

Worksurface Program

Multiple worksurface shapes and laminates are available. See pages 138-145 or worksurface details including pricing and laminate colors. TFL quick ship worksurfaces are shipped out in 48 hours, contact Customer Service for current lead times for TFL standard and HPL standard/premium worksurfaces.

Table bases and worksurfaces can be purchased independently or as a combination.

Felloses worksurfaces are made to exact dimensions. If nominal sizing is needed, please specify when ordering.



The base dimensions as shown are actual.



Weight resistance gauge is easily adjustable according to the weight of the worksurface.

Height Adjustable Tables

Q Crank

Environmentally friendly

With no power needed, it is both environmentally friendly and easy to retrofit any space with power limitations.

Hand crank

Fold the hand crank under the worksurface when not in use.

Quality Testing

Meets or exceeds BIFMA x5.5 guidelines.

Q Crank Complete Table


Complete Quick Ship Table Model # Breakdown:

2QCS-R4824-QS-T__
| | | | | | | | | |
a b c d e f g h i

a: number of legs
b: type of table base
c: finish of base
d: worksurface shape
e: worksurface width
f: worksurface depth
g: quick ship indicator
h: laminate material
i: laminate color


48" x 24" Quick Ship Complete Table

Q Crank 2-leg table base with a 48"w x 24"d rectangle TFL worksurface

MODEL # 2QCS-C4824-QS-T  **\$1,845**

48" x 30" Quick Ship Complete Table

Q Crank 2-leg table base with a 48"w x 30"d rectangle TFL worksurface

MODEL # 2QCS-R4830-QS-T  **\$1,875**


60" x 24" Quick Ship Complete Table


Q Crank 2-leg table base with a 60"w x 24"d rectangle TFL worksurface

MODEL # 2QCS-R6024-QS-T  **\$1,908**

60" x 30" Quick Ship Complete Table

Q Crank 2-leg table base with a 60"w x 30"d rectangle TFL worksurface

MODEL # 2QCS-R6030-QS-T  **\$1,975**

 laminate color notation

Available Base Finishes

Silver – S

Available TFL Quick Ship Laminates

Beigewood – BG

Black – BK

Designer White – DW

Light Gray – GR

NeoWalnut – NW

Q Crank Table

Quick ship complete table options include: silver table bases; 48"w x 24"d, 48"w x 30"d, 60"w x 24"d and 60"w x 30"d rectangle worksurfaces; all five TFL laminates. For all other combinations, please call our Customer Service Department for the estimated lead time and cost.

Multiple worksurface shapes and laminates are available. See pages 138–145 or worksurface details including laminate colors.

For all other complete table options reference the Complete Table and Worksurface Guide at fellowes.com.

Q Crank



Q Crank

Crank Height Adjustable Table Base

\$1,519

- MODEL # QCRANK-24S-SLV
- MODEL # QCRANK-24L-SLV
- MODEL # QCRANK-30S-SLV
- MODEL # QCRANK-30L-SLV

Features

- Crank height adjustment
- 220lb. base lifting capacity
- 1" per two cranks adjustment speed
- 17.5" height adjustment range
- 24.8"-42.3" (low/high) (excluding worksurface)
- Two stage adjustable legs
- C-Leg
- Adjustable width frame accommodates worksurfaces 36"-72"
- Locking casters available
- Warranty: Lifetime



Lifetime Warranty

Caster Kit

\$91

MODEL # CASTERKIT-QCRANK

- Set of four casters for table base
- Increases height by 2"
- Locking casters for security

Available Finishes:

- Silver - SLV

Q Crank

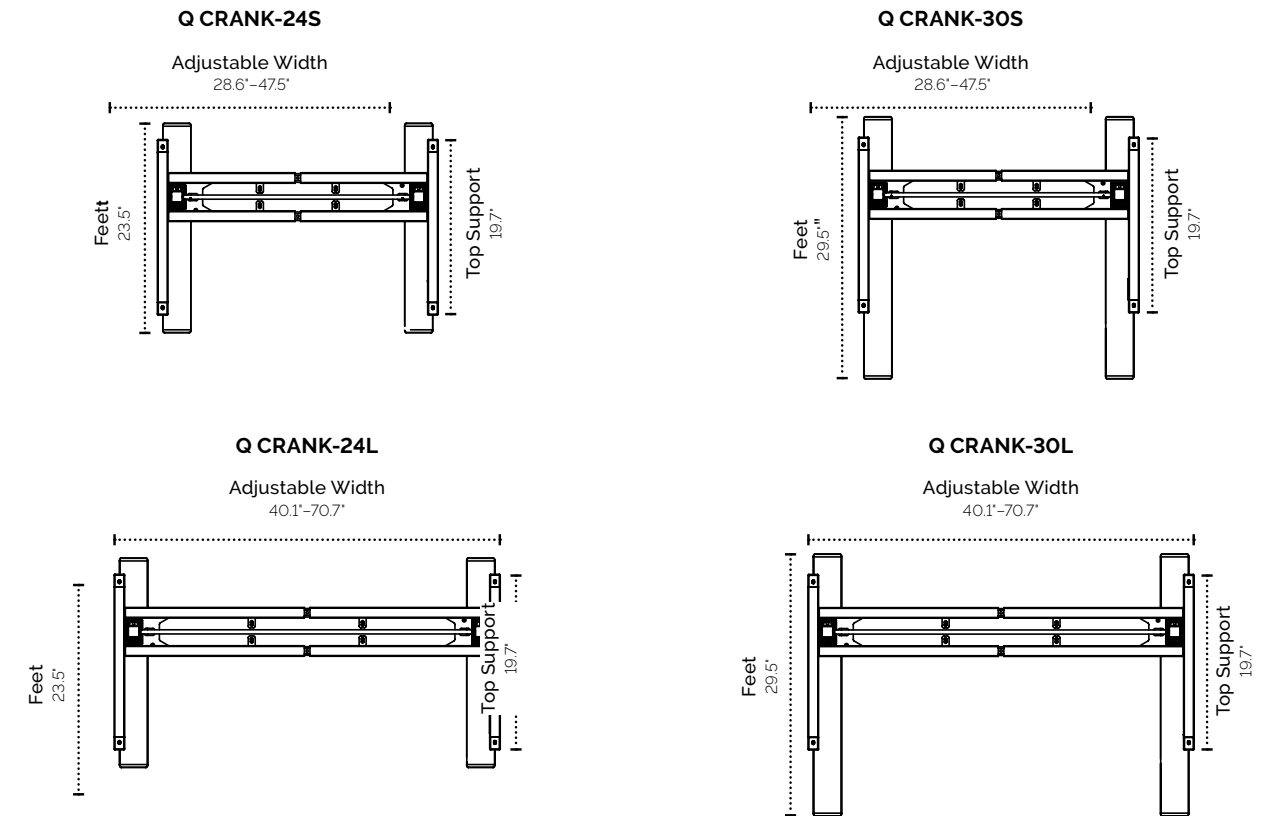
Table Base Model	List Price	Worksurface Shape	Worksurface Dimension	Available Worksurfaces			
				TFL Standard		HPL Standard	HPL Premium
				Quick Ship	Standard Ship	Standard Ship	Standard Ship
QCRANK-24S-SLV	\$1,519	 Rectangle	36" w x 24" d	-	•	•	•
			42" w x 24" d	-	•	•	•
			48" w x 24" d	•	•	•	•
QCRANK-24L-SLV	\$1,519	 Rectangle	60" w x 24" d	•	•	•	•
			72" w x 24" d	-	•	•	•
QCRANK-30S-SLV	\$1,519		 Rectangle	36" w x 30" d	-	•	•
		42" w x 30" d		-	•	•	•
		48" w x 30" d		•	•	•	•
QCRANK-30L-SLV	\$1,519	 Rectangle	60" w x 30" d	•	•	•	•
			72" w x 30" d	-	•	•	•

Worksurface Program

Multiple worksurface shapes and laminates are available. See pages 138-145 or worksurface details including pricing and laminate colors. TFL quick ship worksurfaces are shipped out in 48 hours, contact Customer Service for current lead times for TFL standard and HPL standard/premium worksurfaces.

Table bases and worksurfaces can be purchased independently or as a combination.

Felloses worksurfaces are made to exact dimensions. If nominal sizing is needed, please specify when ordering.



The base dimensions as shown are actual.

Casters



Casters

For Height Adjustable Bases

Features

Sets of castor wheels for table bases

Increases height by 2"

Locking casters for security

VictoryLX 3-leg kits include a third foot for caster installation

Warranty: Lifetime

Fits Table Base	Model #	List Price	GSA
All-Flex 2-leg	CASTERKIT-FLEX2	\$91	Schedule
All-Flex 3-leg	CASTERKIT-FLEX3	\$116	Schedule
TriumphLX/ VictoryLX 2-leg	CASTERKIT-LX-2LEG	\$70	-
VictoryLX 3-leg	CASTERKIT-LX-3LEG-BLK	\$138	-
	CASTERKIT-LX-3LEG-SLV	\$138	-
	CASTERKIT-LX-3LEG-WHT	\$138	-
Weight Adjustable Espree	CASTERKIT-2ESP-WA	\$91	Schedule
Q Crank	CASTERKIT-QCRANK	\$91	-
Trada 2-Leg	CASTERKIT-2TD	\$35	Schedule
Trada 3-Leg	CASTERKIT-3TD	\$44	Schedule

Height Adjustable Tables

Motific™ Height Adjustable



Effortless Height Adjustability

The easy-access lever attached to the table top allows quick and effortless height adjustment for sitting or standing applications.

Motific™ Height Adjustable



Motific Height Adjustable

Portable Tech Table

\$995

MOADJSS-AMPAW
MOADJSS-AMPDW
MOADJSS-RNDAW
MOADJSS-RNDDW

Quick ship complete tables listed

Features

Laptop or occasional table

Multiple color combinations for unique and elegant design options

Thermofoil formed top

Two available top sizes, 0.75" thick:
- Round 22" diameter
- Amorphic 25" width and 22" depth

5.5" height adjustment range
22.5"–27.8"(low/high)
(excluding top)

Includes a accessory hook

Non-marring, easy-to-slide glides

25 lb. max weight capacity

Base dimensions:

19.7" depth

23.5" width (widest point)

Warranty: Lifetime



Available Base Finishes

- Silver – S
- White – W LT
- Black – B LT
- Polished Aluminum – A LT

Available Column Finishes

- Silver – S
- White – W LT
- Black – B LT

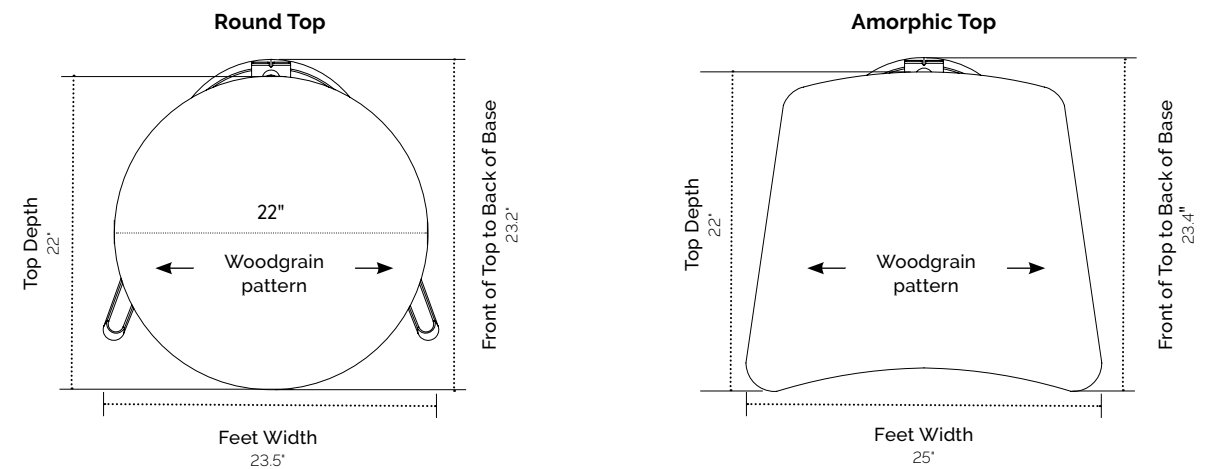
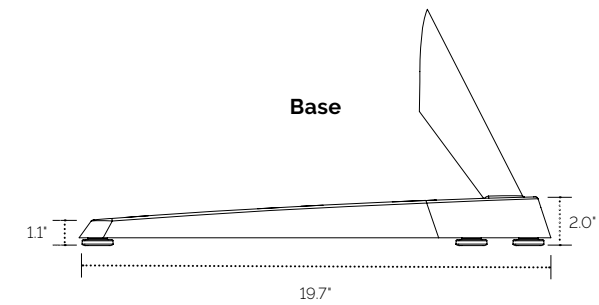
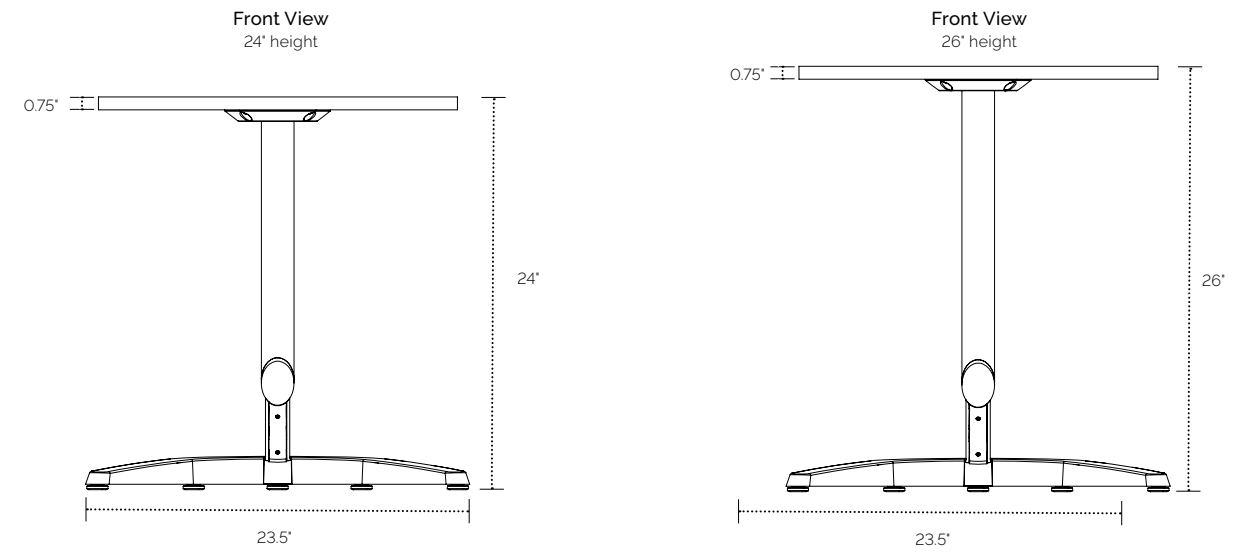
Available Tops and Colors

- Round – RND
- Amorphic – AMP
- Amati Walnut – AW
- Designer White – DS

Woodgrain pattern runs left to right

The combination of a silver column and silver base with either shape top in Amati Walnut or Designer White is available to ship in 48 hours.

Motific™ Height Adjustable



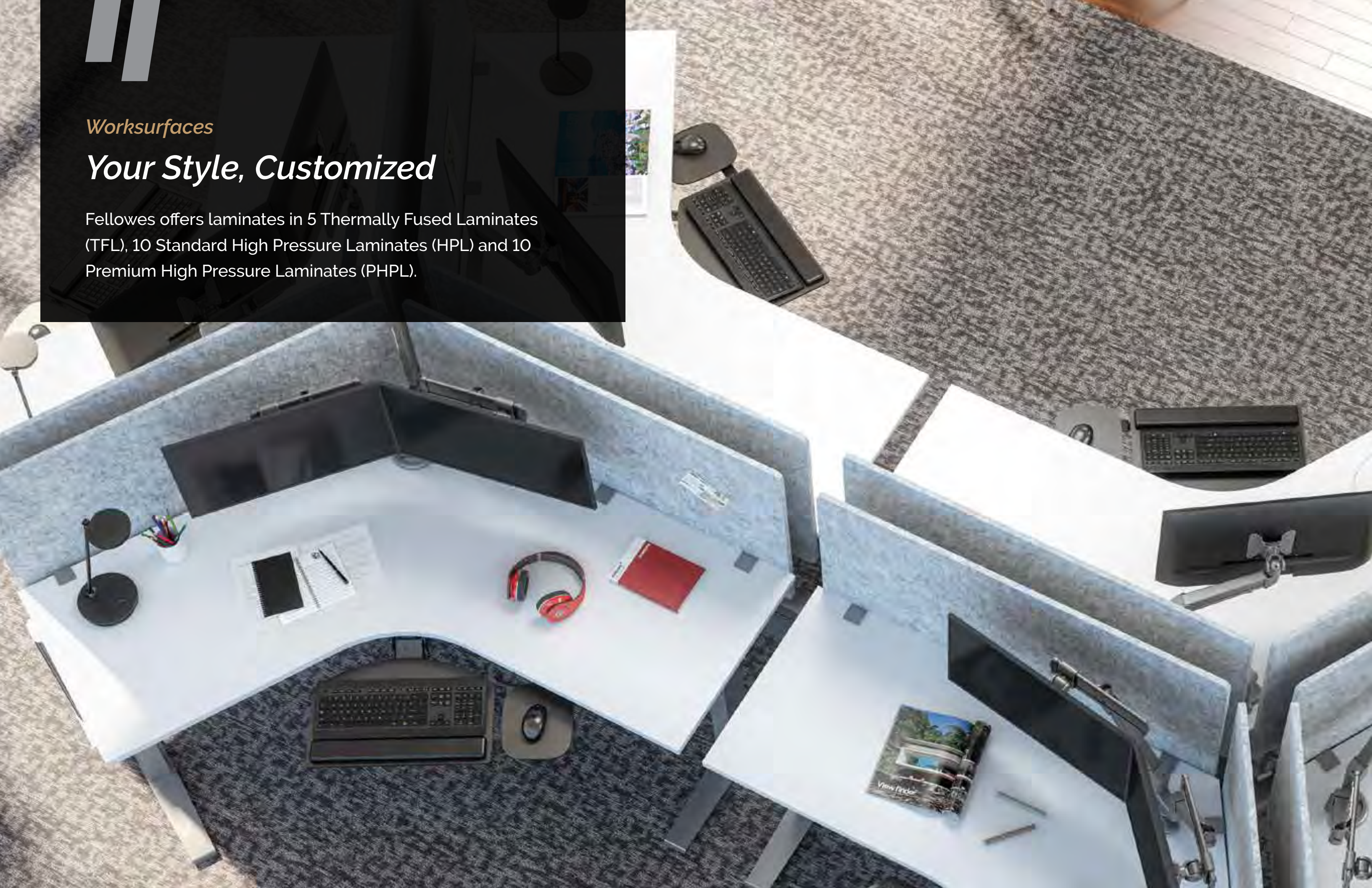
The base dimensions as shown are actual.



Worksurfaces

Your Style, Customized

Fellowes offers laminates in 5 Thermally Fused Laminates (TFL), 10 Standard High Pressure Laminates (HPL) and 10 Premium High Pressure Laminates (PHPL).



Worksurfaces Overview

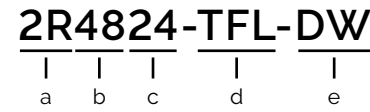
How to order:

Worksurfaces have multiple model numbers based on worksurface dimensions.

Fellowes offers Thermally Fused Laminate (TFL) in 5 colors for both quick ship and standard worksurfaces. Additionally we offer High Pressure Laminate (HPL) in 10 standard colors and 10 premium colors.

Use the worksurface two letter color code to complete your model number.

Worksurface part number breakdown:



- a: worksurface shape
- b: worksurface width
- c: worksurface depth
- d: laminate material
- e: laminate color

*This product number represents:
Rectangle shape 48.0" wide and 24.0" deep
TFL standard Designer White laminate*

General information:

Worksurfaces

Worksurfaces can be sold separately or in combination with a table base.

Warranty: Lifetime 

Sizing

Fellowes worksurfaces are made to exact dimensions. If nominal sizing is needed, please specify when ordering. TFL worksurfaces are 1.0" thick. HPL worksurfaces are 1.125" thick.

*Lead times

For standard colors and sizes the leads times are as follows. Lead time may vary depending on quantities ordered and their availability. For custom sizes and laminates please see below:

TFL quick ship: 48 hours

TFL standard: Contact Customer Service for current lead times

HPL standard: Contact Customer Service for current lead times

HPL premium: Contact Customer Service for current lead times

Custom options

For more information on alternative worksurface shapes, thicknesses, edge detail, laminate options, and pre-drilling, contact our Customer Service Department. Extended lead times and upcharges will apply on all custom requests. Orders with custom laminates or custom edge detailing will both require a standard solid edge banding.

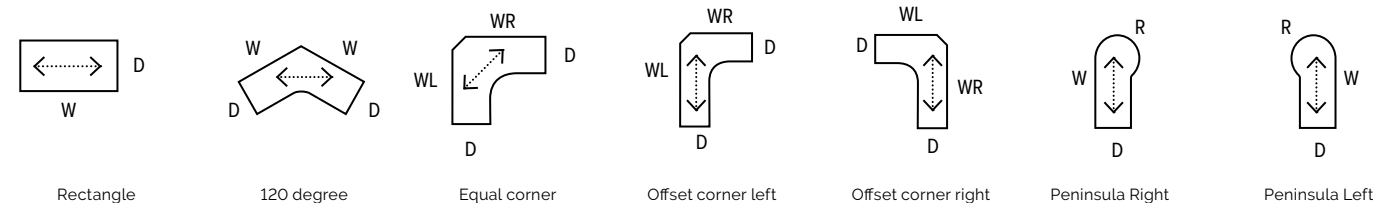
Worksurface pre-drilled holes

For your convenience, all quick ship worksurfaces will be pre-drilled to accommodate the Victory-LX 2-leg and the Triumph-LX table bases. Pre-drilling for any other height adjustable table base series will require extended lead time and an additional cost.

**Fellowes worksurfaces are designed to work with Fellowes height adjustable table bases. If a different application is going to be used, please contact customer service for more details.*

Woodgrain pattern direction:

Please see the diagrams for the direction of the woodgrain pattern on each worksurface shape.



All register marks are property of their respective owners.

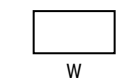
TFL Quick Ship Worksurfaces



TFL quick ship worksurfaces ship within 48 hours and are available in five colors. Please see pages 142-143 for the laminate options that are available.

Worksurface Pricing:

Rectangle



Surface model	List price	Dimensions
2R4824-QS-TFL-__	\$326	48" w x 24"d
2R4830-QS-TFL-__	\$356	48" w x 60"d
2R6024-QS-TFL-__	\$389	60" w x 24"d
2R6030-QS-TFL-__	\$456	60" w x 30"d

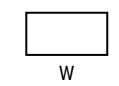
TFL standard worksurfaces



TFL standard worksurfaces are available in five colors. Please see pages 142-143 for the laminate options that are available.

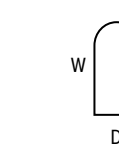
Worksurface Pricing:

Rectangle



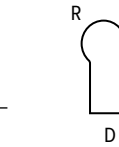
Surface model	List price	Dimensions
2R3624-TFL-__	\$253	36" w x 24"d
2R4224-TFL-__	\$287	42" w x 24"d
2R4824-TFL-__	\$326	48" w x 24"d
2R6024-TFL-__	\$389	60" w x 24"d
2R7224-TFL-__	\$488	72" w x 24"d
2R3630-TFL-__	\$273	36" w x 30"d
2R4230-TFL-__	\$299	42" w x 30"d
2R4830-TFL-__	\$356	48" w x 30"d
2R6030-TFL-__	\$456	60" w x 30"d
2R7230-TFL-__	\$520	72" w x 30"d

Peninsula Right



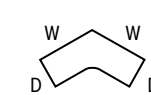
Surface model	List price	Dimensions
2PR723630-TFL-__	\$1,260	72" w x 30" d x 36" r

Peninsula Left



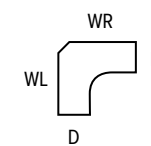
Surface model	List price	Dimensions
2PL723630-TFL-__	\$1,260	72" w x 30" d x 36" r

120 degree



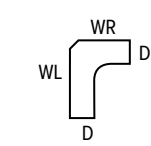
Surface model	List price	Dimensions
120-4824-TFL-__	\$1,058	48" w x 24" d

Equal corner



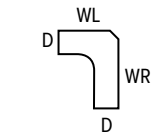
Surface model	List price	Dimensions
3EC606024-TFL-__	\$1,273	60" wl x 60" wr x 24" d
3EC727224-TFL-__	\$1,834	72" wl x 72" wr x 24" d
3EC606030-TFL-__	\$1,299	60" wl x 60" wr x 30" d
3EC727230-TFL-__	\$1,848	72" wl x 72" wr x 30" d

Offset corner left



Surface model	List price	Dimensions
3OCL604824-TFL-__	\$1,137	60" wl x 48" wr x 24" d
3OCL724824-TFL-__	\$1,242	72" wl x 48" wr x 24" d
3OCL726024-TFL-__	\$1,418	72" wl x 60" wr x 24" d
3OCL844824-TFL-__	\$1,463	84" wl x 48" wr x 24" d
3OCL604830-TFL-__	\$1,158	60" wl x 48" wr x 30" d
3OCL724830-TFL-__	\$1,255	72" wl x 48" wr x 30" d
3OCL726030-TFL-__	\$1,441	72" wl x 60" wr x 30" d
3OCL844830-TFL-__	\$1,487	84" wl x 48" wr x 30" d

Offset corner right



Surface model	List price	Dimensions
3OCR486024-TFL-__	\$1,137	48" wl x 60" wr x 24" d
3OCR487224-TFL-__	\$1,242	48" wl x 72" wr x 24" d
3OCR607224-TFL-__	\$1,418	60" wl x 72" wr x 24" d
3OCR488424-TFL-__	\$1,463	48" wl x 84" wr x 24" d
3OCR486030-TFL-__	\$1,158	48" wl x 60" wr x 30" d
3OCR487230-TFL-__	\$1,255	48" wl x 72" wr x 30" d
3OCR607230-TFL-__	\$1,441	60" wl x 72" wr x 30" d
3OCR488430-TFL-__	\$1,487	48" wl x 84" wr x 30" d

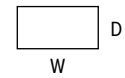
HPL Standard Worksurfaces



HPL standard worksurfaces available in nine colors.
Please see pages 142-143 for the laminate options that are available.

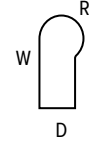
Worksurface Pricing:

Rectangle



Surface model	List price	Dimensions
2R3624-HPL-_-_-	\$354	36" w x 24" d
2R4224-HPL-_-_-	\$409	42" w x 24" d
2R4824-HPL-_-_-	\$456	48" w x 24" d
2R6024-HPL-_-_-	\$546	60" w x 24" d
2R7224-HPL-_-_-	\$598	72" w x 24" d
2R3630-HPL-_-_-	\$389	36" w x 30" d
2R4230-HPL-_-_-	\$429	42" w x 30" d
2R4830-HPL-_-_-	\$493	48" w x 30" d
2R6030-HPL-_-_-	\$572	60" w x 30" d
2R7230-HPL-_-_-	\$624	72" w x 30" d

Peninsula Right



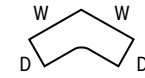
Surface model	List price	Dimensions
2PR723630-HPL-_-_-	\$1,369	72" w x 30" d x 36" r

Peninsula Left



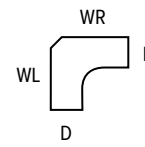
Surface model	List price	Dimensions
2PL723630-HPL-_-_-	\$1,369	72" w x 30" d x 36" r

120 degree



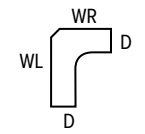
Surface model	List price	Dimensions
120-4824-HPL-_-_-	\$1,483	48" w x 24" d
120-6024-HPL-_-_-	\$2,087	60" w x 24" d
120-7224-HPL-_-_-	\$2,340	72" w x 24" d
120-4830-HPL-_-_-	\$1,683	48" w x 30" d
120-6030-HPL-_-_-	\$2,112	60" w x 30" d
120-7230-HPL-_-_-	\$2,372	72" w x 30" d

Equal corner



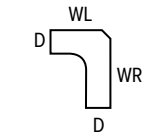
Surface model	List price	Dimensions
3EC606024-HPL-_-_-	\$1,401	60" wl x 60" wr x 24" d
3EC606030-HPL-_-_-	\$1,430	60" wl x 60" wr x 30" d
3EC727224-HPL-_-_-	\$2,340	72" wl x 72" wr x 24" d
3EC727230-HPL-_-_-	\$2,795	72" wl x 72" wr x 30" d

Offset corner left



Surface model	List price	Dimensions
3OCL604824-HPL-_-_-	\$1,253	60" wl x 48" wr x 24" d
3OCL724824-HPL-_-_-	\$1,366	72" wl x 48" wr x 24" d
3OCL844824-HPL-_-_-	\$1,690	84" wl x 48" wr x 24" d
3OCL726024-HPL-_-_-	\$1,558	72" wl x 60" wr x 24" d
3OCL846024-HPL-_-_-	\$1,819	84" wl x 60" wr x 24" d
3OCL604830-HPL-_-_-	\$1,272	60" wl x 48" wr x 30" d
3OCL724830-HPL-_-_-	\$1,380	72" wl x 48" wr x 30" d
3OCL844830-HPL-_-_-	\$1,716	84" wl x 48" wr x 30" d
3OCL726030-HPL-_-_-	\$1,625	72" wl x 60" wr x 30" d
3OCL846030-HPL-_-_-	\$1,846	84" wl x 60" wr x 30" d

Offset corner right



Surface model	List price	Dimensions
3OCR486024-HPL-_-_-	\$1,253	48" wl x 60" wr x 24" d
3OCR487224-HPL-_-_-	\$1,366	48" wl x 72" wr x 24" d
3OCR488424-HPL-_-_-	\$1,690	48" wl x 84" wr x 24" d
3OCR607224-HPL-_-_-	\$1,558	60" wl x 72" wr x 24" d
3OCR608424-HPL-_-_-	\$1,819	60" wl x 84" wr x 24" d
3OCR486030-HPL-_-_-	\$1,272	48" wl x 60" wr x 30" d
3OCR487230-HPL-_-_-	\$1,380	48" wl x 72" wr x 30" d
3OCR488430-HPL-_-_-	\$1,716	48" wl x 84" wr x 30" d
3OCR607230-HPL-_-_-	\$1,625	60" wl x 72" wr x 30" d
3OCR608430-HPL-_-_-	\$1,846	60" wl x 84" wr x 30" d

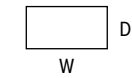
Table bases and worksurfaces can be purchased independently or as a combination.
Fellows worksurfaces are made to exact dimensions. If nominal sizing is needed,
please specify when ordering.

HPL Premium Worksurfaces

HPL premium worksurfaces are available in ten colors.
Please see pages 142-143 for the laminate options that are available.

Worksurface Pricing

Rectangle



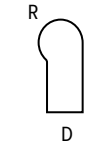
Surface model	List price	Dimensions
2R3624-PHPL-_-_-	\$387	36" w x 24" d
2R4224-PHPL-_-_-	\$445	42" w x 24" d
2R4824-PHPL-_-_-	\$495	48" w x 24" d
2R6024-PHPL-_-_-	\$595	60" w x 24" d
2R7224-PHPL-_-_-	\$651	72" w x 24" d
2R3630-PHPL-_-_-	\$425	36" w x 30" d
2R4230-PHPL-_-_-	\$469	42" w x 30" d
2R4830-PHPL-_-_-	\$538	48" w x 30" d
2R6030-PHPL-_-_-	\$624	60" w x 30" d
2R7230-PHPL-_-_-	\$681	72" w x 30" d

Peninsula Right



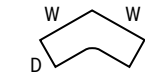
Surface model	List price	Dimensions
2PR723630-PHPL-_-_-	\$1,651	72" w x 30" d x 36" r

Peninsula Left



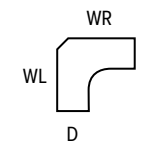
Surface model	List price	Dimensions
2PL723630-PHPL-_-_-	\$1,651	72" w x 30" d x 36" r

120 degree



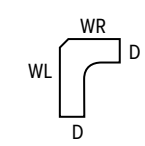
Surface model	List price	Dimensions
120-4824-PHPL-_-_-	\$1,616	48" w x 24" d
120-6024-PHPL-_-_-	\$2,273	60" w x 24" d
120-7224-PHPL-_-_-	\$2,551	72" w x 24" d
120-4830-PHPL-_-_-	\$1,835	48" w x 30" d
120-6030-PHPL-_-_-	\$2,303	60" w x 30" d
120-7230-PHPL-_-_-	\$2,585	72" w x 30" d

Equal corner



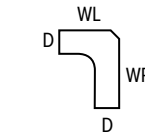
Surface model	List price	Dimensions
3EC606024-PHPL-_-_-	\$1,526	60" wl x 60" wr x 24" d
3EC606030-PHPL-_-_-	\$1,558	60" wl x 60" wr x 30" d
3EC727224-PHPL-_-_-	\$2,551	72" wl x 72" wr x 24" d
3EC727230-PHPL-_-_-	\$3,045	72" wl x 72" wr x 30" d

Offset corner left



Surface model	List price	Dimensions
3OCL604824-PHPL-_-_-	\$1,364	60" wl x 48" wr x 24" d
3OCL724824-PHPL-_-_-	\$1,488	72" wl x 48" wr x 24" d
3OCL844824-PHPL-_-_-	\$1,843	84" wl x 48" wr x 24" d
3OCL726024-PHPL-_-_-	\$1,698	72" wl x 60" wr x 24" d
3OCL846024-PHPL-_-_-	\$1,983	84" wl x 60" wr x 24" d
3OCL604830-PHPL-_-_-	\$1,387	60" wl x 48" wr x 30" d
3OCL724830-PHPL-_-_-	\$1,505	72" wl x 48" wr x 30" d
3OCL844830-PHPL-_-_-	\$1,869	84" wl x 48" wr x 30" d
3OCL726030-PHPL-_-_-	\$1,771	72" wl x 60" wr x 30" d
3OCL846030-PHPL-_-_-	\$2,012	84" wl x 60" wr x 30" d

Offset corner right



Surface model	List price	Dimensions
3OCR486024-PHPL-_-_-	\$1,364	48" wl x 60" wr x 24" d
3OCR487224-PHPL-_-_-	\$1,488	48" wl x 72" wr x 24" d
3OCR488424-PHPL-_-_-	\$1,843	48" wl x 84" wr x 24" d
3OCR607224-PHPL-_-_-	\$1,698	60" wl x 72" wr x 24" d
3OCR608424-PHPL-_-_-	\$1,983	60" wl x 84" wr x 24" d
3OCR486030-PHPL-_-_-	\$1,387	48" wl x 60" wr x 30" d
3OCR487230-PHPL-_-_-	\$1,505	48" wl x 72" wr x 30" d
3OCR488430-PHPL-_-_-	\$1,869	48" wl x 84" wr x 30" d
3OCR607230-PHPL-_-_-	\$1,771	60" wl x 72" wr x 30" d
3OCR608430-PHPL-_-_-	\$2,012	60" wl x 84" wr x 30" d

Table bases and worksurfaces can be purchased independently or as a combination.
Fellows worksurfaces are made to exact dimensions. If nominal sizing is needed,
please specify when ordering.

Laminates

TFL options: Available for TFL standard worksurfaces and for 48 hour quick ship

Woodgrains

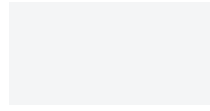


Color code: **BG**
Color name: Beigewood
Finish: Matte
Manufacturer: Wilsonart
Wilsonart Part #: 7850-60



Color code: **NW**
Color name: NeoWalnut
Finish: Softgrain
Manufacturer: Wilsonart
Wilsonart Part #: 7991K-12

Solids



Color code: **DW**
Color name: Designer White
Finish: Matte
Manufacturer: Wilsonart
Wilsonart Part #: D354-60



Color code: **GR**
Color name: Light Gray
Finish: Matte
Manufacturer: Wilsonart
Wilsonart Part #: 1500-60



Color code: **BK**
Color name: Black
Finish: Matte
Manufacturer: Wilsonart
Wilsonart Part #: 1595-60

Please note: Due to printing limitations, any and all laminate colors are not guaranteed to be accurately reproduced.

Laminates

HPL standard options: Available for HPL standard worksurfaces

Woodgrains



Color code: **BG**
Color name: Beigewood
Finish: Matte
Manufacturer: Wilsonart
Wilsonart Part #: 7850-60



Color code: **BZ**
Color name: Brazilwood
Finish: Fine velvet
Manufacturer: Wilsonart
Wilsonart Part #: 7946-38



Color code: **CO**
Color name: Coronado Oak
Finish: Gloss Line
Manufacturer: Wilsonart
Wilsonart Part #: 8244K-28



Color code: **PO**
Color name: Pasadena Oak
Finish: Fine Velvet
Manufacturer: Wilsonart
Wilsonart Part #: 7986-38

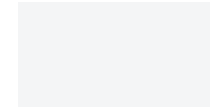


Color code: **FC**
Color name: Fawn Cypress
Finish: Casual Rustic
Manufacturer: Wilsonart
Wilsonart Part #: 8208K-16

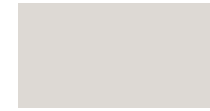


Color code: **NW**
Color name: NeoWalnut
Finish: Softgrain
Manufacturer: Wilsonart
Wilsonart Part #: 7991K-12

Solids



Color code: **DW**
Color name: Designer White
Finish: Matte
Manufacturer: Wilsonart
Wilsonart Part #: D354-60



Color code: **GR**
Color name: Light Gray
Finish: Matte
Manufacturer: Wilsonart
Wilsonart Part #: 1500-60



Color code: **BK**
Color name: Black
Finish: Matte
Manufacturer: Wilsonart
Wilsonart Part #: 1595-60



Color code: **FM**
Color name: Fusion Maple
Finish: Matte
Manufacturer: Wilsonart
Wilsonart Part #: 7909-60

HPL premium options: Available for HPL premium worksurfaces

Woodgrains



Color code: **PP**
Color name: Phantom Pearl
Finish: Gloss line finish with Aeon
Manufacturer: Wilsonart
Wilsonart Part #: 8211K-28



Color code: **PE**
Color name: Phantom Eceru
Finish: Gloss line finish with Aeon
Manufacturer: Wilsonart
Wilsonart Part #: 8212K-28



Color code: **DF**
Color name: Dering Forest
Finish: Timbergrain finish with Aeon
Manufacturer: Wilsonart
Wilsonart Part #: 8226K-05



Color code: **PC**
Color name: Phantom Charcoal
Finish: Gloss line finish with Aeon
Manufacturer: Wilsonart
Wilsonart Part #: 8214K-28



Color code: **SA**
Color name: Italian Silver Ash
Finish: Casual Rustic
Manufacturer: Wilsonart
Wilsonart Part #: 8217K-16



Color code: **EM**
Color name: Empire Mahogany
Finish: Fine velvet
Manufacturer: Wilsonart
Wilsonart Part #: 7122-38



Color code: **FE**
Color name: Field Elm
Finish: Softgrain finish with Aeon
Manufacturer: Wilsonart
Wilsonart Part #: 7999K-12



Color code: **UW**
Color name: Uptown Walnut
Finish: Softgrain finish with Aeon
Manufacturer: Wilsonart
Wilsonart Part #: 7971K-12



Color code: **DT**
Color name: Daintree
Finish: Timbergrain finish with Aeon
Manufacturer: Wilsonart
Wilsonart Part #: 8235K-05



Color code: **FW**
Color name: Florence Walnut
Finish: Fine Velvet
Manufacturer: Wilsonart
Wilsonart Part #: 7993-38

Training Tables

Flip Table With A Twist

Zona is a Flip/Nest table with a twist – when nested for storage, Zona's unique design rotates the legs to create a clean, simple profile. Zona brings an elevated aesthetic to the workplace while offering all the design options and performance customers expect.



Zona™ Complete Table

Complete Quick Ship Table Model # Breakdown Quick Ship TFL Laminates:

ZONA - QS - T

| | | | | |

a b c d e

a: series
b: size
c: quick ship indicator
d: laminate material (TFL)
e: laminate color

Available Sizes	List
4824 (Quick Ship)	\$1,192
4830 (Quick Ship)	\$1,248
6024 (Quick Ship)	\$1,288
6030 (Quick Ship)	\$1,370

Available Base Finishes

- Black - B

Available TFL Quick Ship Laminates

TFL - T

- Beigewood - BG
- Black - BK
- Designer White - DW



Only Quick Ship (TFL) are available on GSA Contract

Zona™



Zona

Training Table

Features

Space-saving Flip/Nest tables are a big advantage for teams that need to stay flexible, respond quickly and make the most of their office space. Zona handles all these needs easily, and does it gracefully. A clean alignment of table tops replaces the staggered arrangement most nested table models produce when they are stored.

Whether it's a roomful of trainees or an improvised office, Zona arranges and re-arranges nimbly to create the configurations you need, when you need them.



Training Table Acrylic Modesty Panel

48" x 9": \$439

60" x 9": \$508

MODEL # TTMODACR489
MODEL # TTMODACR609



Ganging Hardware

\$35

MODEL # TTGHDWR

Includes 2 plates and 4 screws

Complete Model # Breakdown for Lead Time HPL Laminates:

ZONA - LT - H

| | | | | |

a b c d e

a: series
b: size
c: quick ship indicator
d: laminate material (HPL)
e: laminate color

Available Sizes	List
4824 LT	\$1,275
4830 LT	\$1,385
6024 LT	\$1,445
6030 LT	\$1,486

Available Base Finishes

- Black - B

Available HPL laminates (LT)

HPL - H

- Beigewood - BG
- Brazilwood - BZ
- Designer White - DW
- Light Gray - GR
- Black - BK

- Coronado Oak - CO
- Pasadena Oak - PO
- Fusion Maple - FM
- Fawn Cypress - FC
- NeoWalnut - NW

Leg Type: Flip T Base			
Rectangle top size	Edge of table top to outside of leg	Area between legs	Front edge of table top to outside of leg
48"W x 24"D	4.264"	35.627"	10.694"
48"W x 30"D	4.264"	35.627"	13.694"
60"W x 24"D	4.364"	47.427"	10.694"
60"W x 30"D	4.364"	47.427"	13.694"

Tables with the recommended base/top size combination can support a maximum of 1.5 lb. for each inch of perimeter, evenly distributed.

Complete Model # Breakdown for Lead Time PHPL Laminates:

ZONA - LT - P

| | | | | |

a b c d e

a: series
b: size
c: quick ship indicator
d: laminate material (PHPL)
e: laminate color

Available Sizes	List
4824 LT	\$1,361
4830 LT	\$1,430
6024 LT	\$1,494
6030 LT	\$1,538

Available Base Finishes

- Black - B

Available PHPL laminates (LT)

PHPL - P

- Phantom Pearl - PP
- Phantom Ecru - PE
- Empire Mahogany - EM
- Phantom Charcoal - PC
- Field Elm - FE

- Daintree - DT
- Dering Forest - DF
- Uptown Walnut - UW
- Italian Silver Ash - SA
- Florence Walnut - FW

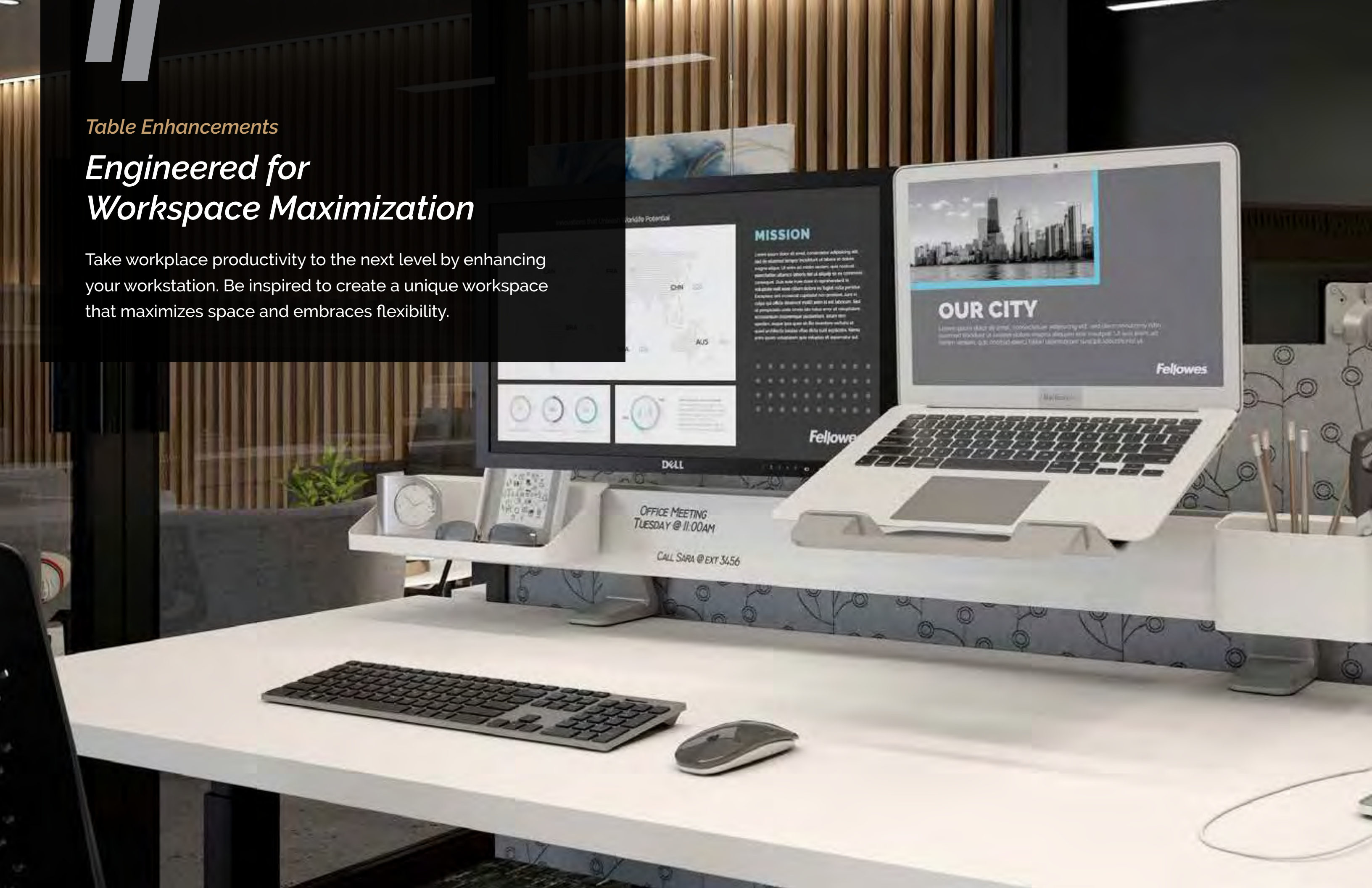
Available Finishes:

- Black - BLK

Table Enhancements

Engineered for Workspace Maximization

Take workplace productivity to the next level by enhancing your workstation. Be inspired to create a unique workspace that maximizes space and embraces flexibility.





Rising Loft™



Statement of Line

Rail



Shelf



Utility Cup



Power Module



Rising Monitor Arm + Adapter



Laptop Holder + Adapter



3-in-1 Feature Integration

Cord Management

Organizes & conceals cables and cords above the worksurface for easy accessibility.

Power

Comes with integrated desktop power outlet(s) and USB ports for ease of charging electronics.

Glassboard

Sleek glass façade with magnetic back painted marker board.



Table Enhancements
Rising Loft™

Rising Loft™ – Key Features



Rail

24": \$983
 48": \$1,295
 60": \$1,427

MODEL # LOFT-RAIL-24- _ _ _
 MODEL # LOFT-RAIL-48- _ _ _
 MODEL # LOFT-RAIL-60- _ _ _
 See key below for available finish options

Features

Available in three widths:
 – 24" (22" actual)
 – 48" (46" actual),
 – 60" (58" actual)

Each rail includes back painted magnetic glass in Black (BLK), Platinum (PLT), or Designer White (DWT)

Clamps onto desks/surfaces 0"-3.23" thick

Includes a power module with (1) A/C, (1) USB-A, and (1) USB-C installed on right side of the rail standard. Power module can be moved to the left if needed. Additional power can be ordered and installed on 48" and 60" rails only

Rails can be attached to the support legs at three different positions to achieve desired height from the worksurface (3.01", 3.78", 4.56")

Rubber pads under support legs to ensure a tight fit without marring surface

UL and cUL approved

Weight Capacity: 75lbs. max total weight capacity when using monitor arms and/or laptop holders with 2 support legs

85 lbs. max total weight capacity when using monitor arms and/or laptop holders with 3 support legs (support legs can be ordered separately)

Warranty : 10 Years



Shelf

\$42

MODEL # LOFT-SHELF- _ _ _
 See key below for available finish options

Features

Designed to be used for small accessories and personal items

Easily mounts to front of rail – no tools needed

Includes two integrated magnets to help secure the shelf to the front of the rail

Available in Black, Gray, and White

Dimensions: 13"L x 3.4"H x 4.9"D

Warranty : 5 Years



Additional Power Module

\$217

MODEL # LOFT-PWR- _ _ _
 See key below for available finish options

Features

Power module includes (1) A/C, (1) USB-C

Only 48" and 60" rails accept an additional power module

9' power cord

Available in Black, Gray, and White

Warranty : 10 Years



Utility Cup

\$25

MODEL # LOFT-UTCUP- _ _ _
 See key below for available finish options

Features

Conveniently holds pens, pencils, markers, and other writing utensils

Easily mounts to front of rail – no tools needed

Available in Black, Gray, and White

Dimensions: 6" x 2.5" x 4.25"

Warranty : 5 Years



Rising™ Monitor Arm + Rail Adapter

\$212

MODEL # LOFT-MA-ADP- _ _ _
 See key below for available finish options

Features

Adapter attaches to Rail and allows SnapKinetic™ assembly of monitor arm

Provides ergonomic positioning of monitor(s)

Finger-touch gas spring for easy adjustments

Available in Black or Platinum

Max weight capacity: 28lbs.

Warranty: Lifetime



Laptop Holder + Rail Adapter

\$312

MODEL # LOFT-LTH-ADP- _ _ _
 See key below for available finish options

Features

Adapter attaches to rail and allows SnapKinect™ assembly of laptop holder

12.2" laptop tray width

Designed exclusively for use for Loft (not compatible with other products)

Swivels to position laptop to desired angle

Height can be set at any position along the pole

Warranty: Lifetime



Available Colors:

- Gray – GRY
- Black – BLK
- White – WHT

Available Colors:

- Gray – GRY
- Black – BLK
- White – WHT

Available Colors:

- Platinum – PLT
- Black – BLK

Rising Loft™ – Preconfigured Kits



Kit 1 – Basic

Rail + Utility Cup + Shelf

24": \$1,050

48": \$1,362

60": \$1,494

MODEL # LOFT-KIT1-24- ---

MODEL # LOFT-KIT1-48- ---

MODEL # LOFT-KIT1-60- ---

See key below for available finish options



Kit 2 – Single Monitor Arm

Rail + Utility Cup + Shelf + Rising Monitor Arm
(includes rail adapter)

24": \$1,369

48": \$1,681

60": \$1,813

MODEL # LOFT-KIT2-24- ---

MODEL # LOFT-KIT2-48- ---

MODEL # LOFT-KIT2-60- ---

See key below for available finish options



Kit 3 – Dual Monitor Arm

Rail + Utility Cup + Shelf + Rising Monitor Arm
(X2) (includes 2 rail adapters)

48": \$2,000

60": \$2,132

MODEL # LOFT-KIT3-48- ---

MODEL # LOFT-KIT3-60- ---

See key below for available finish options

(LOFT-KIT3-60 will include a 3rd support leg)



Kit 4 – Monitor Arm + Laptop Holder

Rail + Utility Cup + Shelf + Rising Monitor Arm
+ Laptop Holder (includes 2 rail adapters)

48": \$1,993

60": \$2,125

MODEL # LOFT-KIT4-48- ---

MODEL # LOFT-KIT4-60- ---

See key below for available finish options

(LOFT-KIT4-60 will include a 3rd support leg)



Kit 5 – Complete Workstation

Rail + Utility Cup + Shelf + Rising Monitor Arm
(includes 1 rail adapter) + Triumph or Victory
Table Base + 60" x 30" Worksurface

Triumph Table Base: \$3,844

Victory Table Base: \$4,074

MODEL # LOFT-KIT5T-60- ---DW

MODEL # LOFT-KIT5T-60- ---BG

MODEL # LOFT-KIT5VT-60- ---DW

MODEL # LOFT-KIT5VT-60- ---BG

See key below for available finish options

(LOFT-KIT5T-60 and LOFT-KIT5VT-60

will include a 3rd support leg)

Order RSNG-SLD in addition to make

positioning monitors easier.



Available Colors:

○ Platinum – PLT

● Black – BLK

○ White – WHT

Available Colors:

○ Platinum – PLT

● Black – BLK

○ White – WHT

Rail Kit colors:

○ Platinum – PLT

● Black – BLK

○ White – WHT

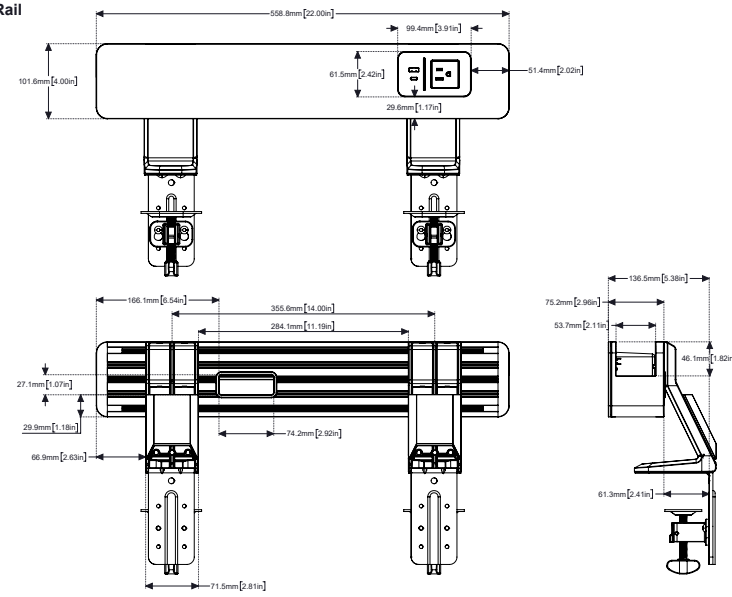
Worksurface Laminate Colors:

○ Designer White – DW

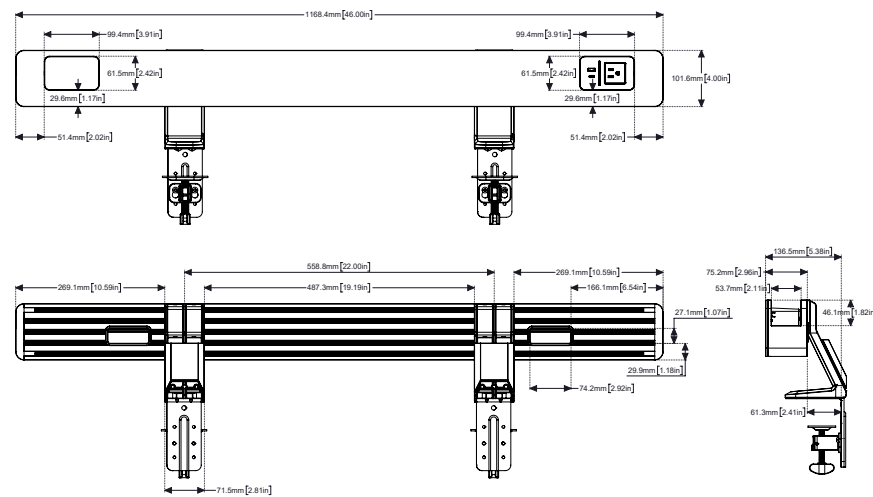
● Beige – BG

Rising Loft™ – Measurements

24" Rail



48" Rail



60" Rail

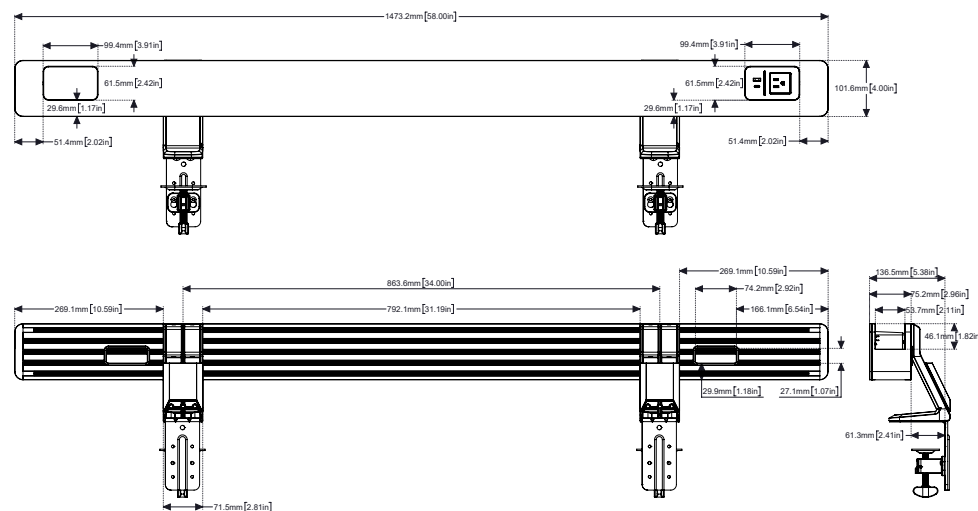


Table Enhancements

Privacy Screens & Modesty Panels

Reversible design for privacy or modesty
 Universal mounting system allows brackets to be set for privacy or modesty applications.

Eco-friendly
 Centro screens are 100% recyclable and have been made from 60% post-consumer recycled plastic.

Custom options are available
 Contact our Customer Service Department for a customized Centro quote. Minimum quantity of four required. Additional costs and lead time may apply.



Privacy Screens



Centro

Privacy/Modesty Screen

22": \$519 LT 46": \$731 LT
 28": \$560 LT 58": \$785 LT
 34": \$600 LT 70": \$977 LT

MODEL # CENTRO-22- _ _ _
 MODEL # CENTRO-28- _ _ _
 MODEL # CENTRO-34- _ _ _
 MODEL # CENTRO-46- _ _ _
 MODEL # CENTRO-58- _ _ _
 MODEL # CENTRO-70- _ _ _

See key below for available finish options

Features

Available lengths: 22", 28", 34", 46", 58", and 70" (Screens are actual size, sizes are designed to accommodate nominal worksurfaces)

25" height

- Privacy application - 18" above/ 6" below
- Modesty application - 6" above/ 18" below

0.8" thickness

22", 28", 34" and 46" screens come with two worksurface mounting brackets, 58" and 70" screens come with three brackets

Mounting brackets designed to accommodate 0.5"-1.8" thick worksurfaces

Lightweight screens

Sound level absorption up to .9 NRC rating

Convenient tackable surface

22" and 28" lengths are recommended for side applications. Larger sizes are recommended for the rear applications

VOC-Free

Warranty: 5 Years



Available Fabric Colors:

- Charcoal - COL
- Pear Green - GRN
- Ash - ASH
- Cobalt Blue - BLU
- Slate - SLT
- Iced Gray - ICE
- Sandstone - SND

Modesty Panels



Acrylic Modesty Panels

For use on Training Tables and Height Adjustable Bases

48" x 9": \$439

60" x 9": \$508

MODEL # TTMODACR-489-FST
 MODEL # TTMODACR-609-FST

Features

Provides privacy under the worksurface that accompanies any office design

Available lengths: 48" and 60"

Available height: 9"

All panels include 2 hanging brackets and hardware (silver finish only)

Available panel styles: Frosted

Rounded edges and corners for user safety

Panel thickness: 0.22"

Lead time 48 Hours

Made of general-purpose cast acrylic

Warranty: 5 Years

Table Enhancements

Wire Management

Wire Management



Netta™

Mesh Wire Management Channel

24": \$161

48": \$216

MODEL # NETTA-24-BLK
MODEL # NETTA-24-GRY
MODEL # NETTA-48-BLK
MODEL # NETTA-48-GRY

Features

Available in 24" and 48" lengths to adapt to any worksurface environment

24" includes 3 mounting brackets and 5 velcro straps, 48" includes 4 mounting brackets and 10 velcro straps. Both sizes include durable grommets and drill templates for easy installation.

Available in 2 colors, black (BLK) and Gray (GRY)

Constructed of durable flame-retardant mesh material

Weight Capacity

- 24": 10 lbs.

- 48": 20 lbs.

Warranty: Lifetime



Conceal

Cable Management Spine

\$88

MODEL # CONCEAL-GRY
MODEL # CONCEAL-BLK
MODEL # CONCEAL-WHT

Features

53.5" total height

23 links

Links are detachable

Weighted bottom

Attaches to bottom of worksurface

Warranty: 5 Years



Trough + Deluxe Trough Kit

Cable Management Undermount Tray

Trough: \$37

Deluxe Trough Kit: \$52

MODEL # TROUGH-18-BLK
MODEL # TROUGH-DLX-KIT-BLK

Features

Trough:

Mounts to most flat surfaces

18" L x 1.9" W troughs - set of two

Mounts using heavy duty double sided tape and/or provided screws

The image above shows one piece of the set

Warranty: 5 Years



Deluxe Trough Kit:

Elegant, sleek design

Mounts to most flat surfaces

18" L x 3" W troughs - set of two

Mounts using heavy duty double sided tape and/or provided screws

The image above shows the set of two pieces

Warranty: 5 Years



Table Enhancements

CPU Holders

CPU Holders



CPU01

Simple CPU Holder

\$233

MODEL # CPU01-BLK

Features

- 125 lb. load capacity
- 360° swivel
- 17.8" glide track
- 12.5" min. CPU depth
- 8" min. CPU width
- 24" min. CPU height
- 60° adjustable straps
- Nylon security bands
- Warranty: Lifetime



CPU05

Heavy Duty CPU Holder

\$302

MODEL # CPU05

Features

- 100 lb. load capacity
- 360° swivel
- 17.8" glide track
- 2.5"-8.3" adjustable width
- 13"-21" adjustable height
- Warranty: Lifetime



CPU Mini

Small Profile CPU Holder

\$261

MODEL # CPUMINI-SLV

Features

- 55 lb. load capacity
- 360° swivel
- 13.4" ball bearing glide track
- 16"-22" adjustable height
- Fits CPUs up to 20" in height
- Warranty: Lifetime





Table Enhancements

Technology Accessories

Supply & Technology Accessories



Tech Dock

Sliding Tech Tray

\$186

MODEL # TDOCK-SLV

Features

- 15" laptop tray width
- 12"-16" adjustable depth
- 17" glide track (can be fix-mounted without the glide track if space under worksurface is limited)
- 4.2" or 4.9" adjustable height below worksurfaces
- 360° swivel
- 20lb. weight capacity
- Rubber coated grip
- Convenient cable access
- Warranty: Lifetime



Stow and Go

Gain back up to 25% of your desktop space with this laptop storage solution that easily accommodates a single laptop or a laptop/docking station combo.

Glide and Swivel

Can swivel 360° under the worksurface for increased accessibility, with or without the glide track attached.



AA903

Keyboard Drawer Slide Platform

\$251

MODEL # AA903
Not compatible with articulating arms

Features

- 25" width accommodates both keyboard and mouse
- Retractable on 15" ball bearing slides
- Palm rest for both keying and mousing
- Warranty:
Lifetime (*Platform*),
10 Year (*palm rests/mouse pad, glides*)



ACDP01

Sliding Pencil Drawer Slide Platform

\$159

MODEL # ACPD01-BLK

Features

- Inside drawer dimensions:
20.5"w x 16.3"d x 2"h
- Opening requirements:
23"w x 16.3"d x 2"h
- Retracts on 16" ball bearing slides
- Warranty: 10 Year

Technology Accessories



Hana Monitor Riser

Monitor Riser

\$409

MODEL # HANA-MR-BLK

Features

Easily accessible fast charging dual USB ports to keep devices powered

Rear facing dual USB data ports to easily connect your mouse and keyboard

Metal base with real wood veneer finish, available in black

Platform Size: (W x D) 15.8" x 7.6"

Number of Height Settings: 3

Height Adjustment Measurements: 4"/5"/6"

USB Connectivity: 2 x USB 2.0 (Type A) / 2 x Quick Charge USB Ports 2.1A (Type A)

Material: Steel / Wood Veneer

Designed for use with monitors up to 40 lbs.

Warranty: 10 Years

Designer wood veneer finish on all Hana series products



Hana Laptop Support

Laptop Support

\$413

MODEL # HANA-LTS-BLK

Features

Easily collaborate with colleagues with flexible movement

Easily accessible fast charging dual USB ports to keep devices powered

Rear facing dual USB data ports to easily connect devices such as mouse and keyboard

Built-in cable management

Metal base with real wood veneer finish, available in black

Product Dimensions: (H x W x D) 4" x 13.5" x 15.6"

Platform Size: (W x D) 11.8" x 11.4"

Height Adjustment Measurements: 4"-16"

Angle Adjustments: Platform tilts +/- 45°

Arm Swivel: +/- 45°

USB Connectivity: 2 x USB 2.0 (Type A) / 2 x Quick Charge USB Ports 2.1A (Type A)

Material: Steel / Wood Veneer

Weight Capacity: 10 lbs.

Maximum Laptop Size: 19"

Warranty: 10 Years

Designer wood veneer finish on all Hana series products



Hana Adjustable Foot Support

Foot Support

\$471

MODEL # HANA-FS-BLK

Features

Promotes motion with the active movement feature, which allows for flexible platform movements

Light or heavy tension setting to adjust the ease of movement

Two height settings for sitting and standing

Change height positions with effortless foot adjustment

Metal base with non-slip real wood veneer finish, available in black

Platform Size: (W x D) 17.7" x 13.8"

Number of Height Settings: 2

Height Adjustment Range:
- Low Setting: 4.7" - 6.9"
- High Setting: 7" - 8.6"

Angle Adjustments: +/- 5°

Tension Adjustments: Light or heavy

Material: Steel / Wood Veneer

Weight Capacity: 110 lbs.

Warranty: 10 Years

Designer wood veneer finish on all Hana series products

Technology Accessories



Active Fusion™ Anti-Fatigue Mat

Anti-Fatigue Mat

\$288 LT

MODEL # AFMAT-ACTIV
87071

Features

Stay active and comfortable with this durable floor mat

Unique shape promotes stretching and movement throughout the day

Encourages subtle movement to prevent fatigue

Use with any sit-stand for extra support while standing

Beveled edges help avoid trip hazards
36" x 24"

Warranty: 5 Years



Anti-Fatigue Wellness Mat

Wellness Mat

\$156 LT

MODEL # AFMAT-WLNS
87070

Features

Stand in comfort with this durable floor mat

Encourages subtle movement to prevent fatigue

Use with any sit-stand for extra support while standing

Beveled edges help avoid trip hazards

36" x 24"

Warranty: 5 Years

Storage Solutions

What's your Storage Style?

Go classic with our tried-and-true MP Mobile Peds, or shake things up with the fresh and functional Kuva Mobile Storage—a stylish solution that doubles as a mobile planter.



Storage Solutions
MP Series



MP™ Series



Mobile Storage Pedestal

Standard

\$635

MODEL # MP-STD- _ _ _
 See key below for available finish options

Cabinet measurements
 5.4" w x 18.5" h x 19.7" d

Standard & Slim Features

- Heavy duty steel construction
- Measuring only 18.5" in overall height, Fellowes' mobile ped will remain untouched even at the lowest position of our 3-stage height adjustable tables.
- Box/file with full extension ball bearing slides
- Locking front casters, stationary rear casters
- Anti-tip front stability caster
- Adjustable divider to accommodate both letter and legal size files
- Ample room for personal items
- 200lb weight seated capacity
- Recessed side pulls for clean aesthetics



Mobile Storage Pedestal

Slim

\$566

MODEL # MP-SLIM- _ _ _
 See key below for available finish options

Cabinet measurements
 11.8" w x 18.5" h x 19.7" d

- Available in black, silver and white finishes that coordinate with Fellowes table bases
- Includes two break-away, anti-bacterial keys with Sanitized® coating
- Includes repositionable pencil drawer
- Peds will clear all Fellowes table feet with glides to allow for extra space under desk
- Meets BIFMA X5.9 standards for performance and stability w
- Ships fully assembled
- Warranty: Lifetime



Mobile Storage Cushion

Standard

\$141

MODEL # MPCUSH-STND- _ _ _
 See key below for available cushion fabric

Mobile Storage Cushion

Slim

\$141

MODEL # MPCUSH-SLIM- _ _ _
 See key below for available cushion fabric

Features

- Provides convenient additional seating
- Seat cushion adds approximately 1.2" h to pedestal
- Available in seven fabric colors to compliment Centro privacy/modesty panels
- Meets CAL-117 flammability standards
- EPA TSCA Title VI Compliant
- 100% Polyester Fabric
- 100% Polyurethane Foam
- Do not wash. Spot clean only using mild soap and water
- Warranty: 5 Years

This product is stocked with three possible key/core variations. Each unit will ship with one randomly selected key/core set. Selection of a specific key/core is not available with standard orders.

For keyed-alike or keyed-different requests beyond these three standard options, please contact Customer Service — additional charges may apply.

Available Cabinet Finishes:

- Silver - SLV
- Black - BLK
- White - WHT

Available Cushion Fabric:

- Beige - BGE
- Black - BLK
- Cobalt Blue - BLU
- Carbon - CBN
- Gunmetal - GNM
- Pear Green - GRN
- Iced Gray - ICE



Kuva™



Kuva™

Planter/Storage

Planter: \$825 LT

MODEL # KUVA-PLNTR- _ _ _
See key below for available finish options

Storage: \$1,050 LT

MODEL # KUVA-STRG- _ _ _
See key below for available finish options

Features

Constructed of powder coated steel

Includes 4 non-locking casters
(Casters are optional – Kuva can be used both as a planter or storage without casters if desired)

Holds up to 100 lbs. of weight

Indoor use only

Dimensions (with casters):
13.2" w x 16.25" h x 13.2" d

Available in eight finishes: black, platinum, designer white, bronze, azure, sage, slate, stardust

For Use as Mobile Storage:

- Includes built-in rails for standard-sized hanging folders
- Ships with wood lid to conceal items

For Use as Mobile Planter:

- Ships with heavy-duty plastic planter tray for water resistance

Warranty: Lifetime



Storage Available in 8 Finishes



Planter Available in 8 Finishes



Available Finishes:

- Black – BLK
- Silver – SLV
- Designer White – DWT
- Bronze – BRZ
- Azure – AZR
- Sage – SGE
- Slate – SLT
- Stardust – STR

Sit to Stand

Move. And Be Moved.

Sit. Stand. Empower your day. Our sit-to-stand workstations move with you, and easily adjust to comfortably fit your needs throughout your workday. They support monitors or laptops and feature built-in keyboard platforms. Best yet, existing fixed-height workstations can be easily retrofitted to offer adjustable height options, offering the utmost in flexibility.



Lotus™ RT1



Lotus RT1

Dynamic Motion Sit-to-Stand Workstation

\$1,902 LT

MODEL # LOTUS-RT1-BLK
MODEL # LOTUS-RT1-WHT

Features

Smooth Lift Technology™ with easy dial weight adjustment; patent pending design

TriMotion™ flexibility: 180° rotation at the base, 90° vertical adjustment, 180° platform rotation

Clamp mounts to worksurface
(1" to 3.1" thick)

17" height adjustment range

Precision positioning

25 lbs. platform weight capacity
(20 lbs. weight capacity for the monitor platform and 5 lbs. weight capacity for the keyboard platform)

28.4"w x 8.3"d top platform

28.4"w x 9.7"d keyboard platform

24" minimum worksurface depth required for the Lotus RT to function properly

Integrated monitor arm mount allows for 75mm/100mm VESA mount
– 16.5" monitor mount height range
– Holds 20 lbs. max. monitor weight

Includes integrated cable management

Some assembly required

Waterfall design allows users to prop up a phone, notepad or documents

Warranty: Lifetime



Lifetime Warranty

Effortless Adjustability

The Tri-Motion Adjustability of the Lotus affords the ability to easily work and collaborate with ultimate stability.

Smooth Lift Technology

Easily transition from sitting to standing with Smooth Lift Technology™.

High End Aesthetics

Sturdy wood veneer work surface – available in black or white.

Available Colors:

- Black - BLK
- White - WHT

Lotus™ RT2



Lotus RT2

Dynamic Motion Sit-to-Stand Workstation

\$1,976 LT

MODEL # LOTUS-RT2-BLK
MODEL # LOTUS-RT2-WHT

Features

Smooth Lift Technology™ with easy dial weight adjustment; patent pending design

TriMotion™ flexibility: 180° rotation at the base, 90° vertical adjustment, 180° platform rotation

Clamp mounts to worksurface
(1.0" to 3.1" thick)

17" height adjustment range

Precision positioning

25 lbs. platform weight capacity
(20 lbs. weight capacity for the monitor platform and 5 lbs. weight capacity for the keyboard platform)

28.4"w x 8.3"d top platform

28.4"w x 9.7"d keyboard platform

24" minimum worksurface depth required for the Lotus RT to function properly

Integrated monitor arm mount allows for 75mm/100mm VESA mount
– 16.5" monitor mount height range
– 10 lbs. each max. monitor weight
– Holds 20 lbs. max. monitor weight
(bezel measured left to right)

Includes integrated cable management

Assembly required

Waterfall design allows users to prop up a phone, notepad or documents

Warranty: Lifetime



Lifetime Warranty

Available Colors:

- Black - BLK
- White - WHT

Lotus™ DX



Lotus DX

Sit-to-Stand Workstation

\$1,941 LT

MODEL # LOTUS-DX-BLK

Features

- Microban® Antimicrobial surface
- USB integration and Qi-enabled charging
- Spring assisted height adjustment
- Smooth Lift Technology™ with easy dial weight adjustment
- Sits atop worksurface
- 17" height adjustment range
- Incremental positioning
- 35 lbs. weight capacity
- 31.8"w x 8.1"d top platform
- 32.8"w x 12.2"d keyboard platform
- 24" minimum worksurface depth
- No assembly required
- Cable management
- Compatible with Lotus single or dual monitor arm kits. Kit sold separately
- Not available on GSA contract
- Warranty: 5 Years

Lotus™



Lotus

Sit-to-Stand Workstation

\$1,502 LT

MODEL # LOTUS-BLK

Features

- Spring assisted height adjustment
- Smooth Lift Technology™ with easy dial weight adjustment
- Sits atop worksurface
- 17" height adjustment range
- Incremental positioning
- 35 lbs. weight capacity
- 31.8"w x 8.1"d top platform
- 32.8"w x 12.2"d keyboard platform
- 24" minimum worksurface depth
- Cable management
- No assembly required
- Compatible with Lotus single or dual monitor arm kits. Kit sold separately
- Not available on GSA contract
- Warranty: 5 Years

Lotus™ Monitor Arm Kits



Lotus Single

Monitor Arm Kit

\$248 LT

MODEL # LOTUS-KIT1-SLV

Features

- Compatible with Lotus™ and Lotus™ DX
- Raises monitors to an optimal viewing height to prevent neck strain
- Easy to mount via grommet hole
- Height adjusts up to 16" above the top surface
- Each arm holds a monitor up to 26"
- Product dimensions: 16.5" x 4.5" x 5.5"
- Product weight: 1 lb.
- Weight capacity: 17 lbs.
- Meets VESA mounting standards
- Warranty 5 Years



Lotus Dual

Monitor Arm Kit

\$310 LT

MODEL # LOTUS-KIT2-SLV

Features

- Compatible with Lotus™ and Lotus™ DX
- Raises monitors to an optimal viewing height to prevent neck strain
- Easy to mount via grommet hole
- Height adjusts up to 16.0" above the top surface
- Each arm holds a monitor up to 26"
- Product dimensions: 16.5" x 28.5" x 5.5"
- Product weight: 5 lb.
- Weight capacity: 13 lbs. per monitor
- 12.5" retraction
- Meets VESA mounting
- Warranty 5 Years

Available Colors:

- Black - BLK

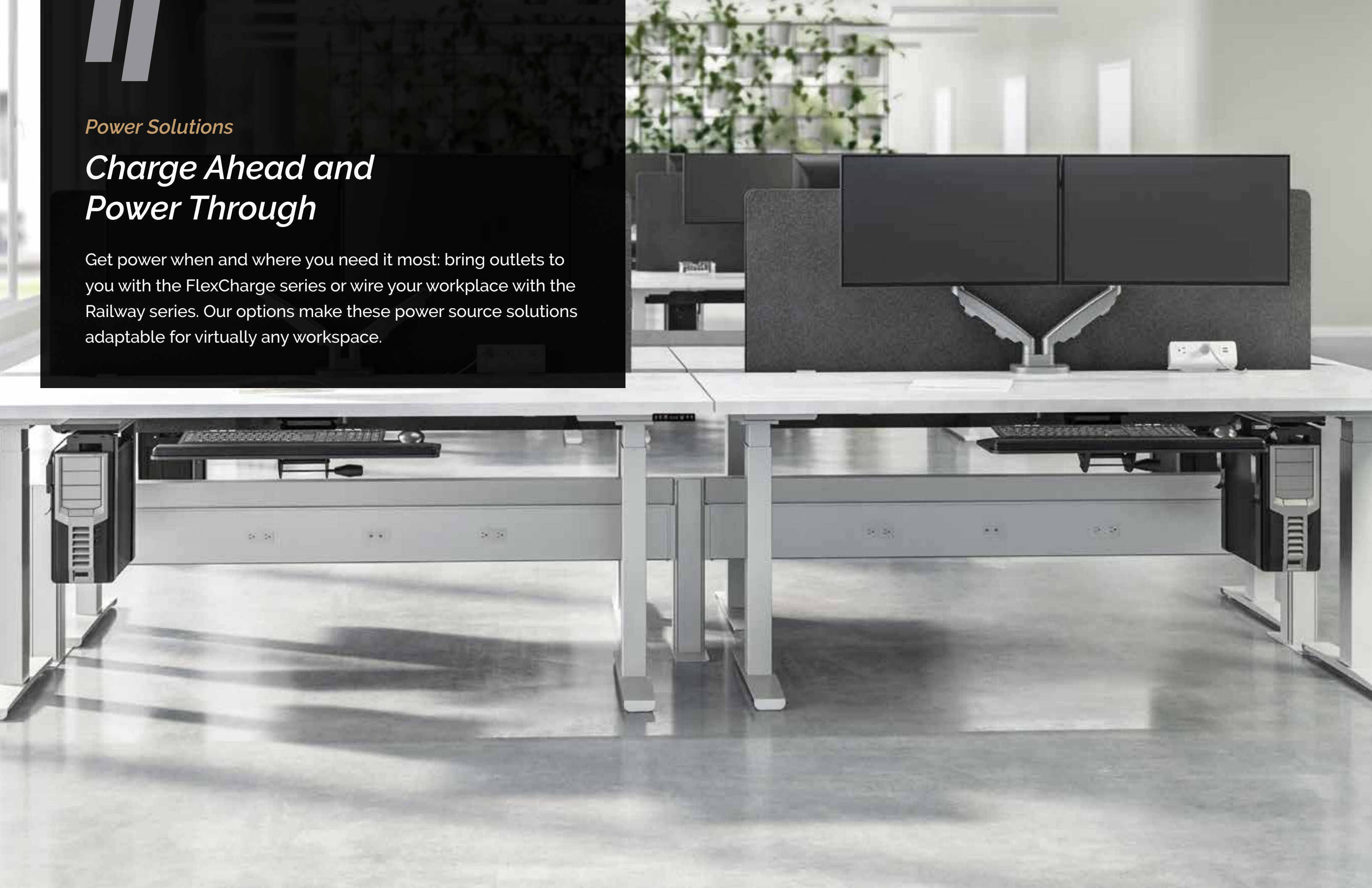
Available Colors:

- Black - BLK

Power Solutions

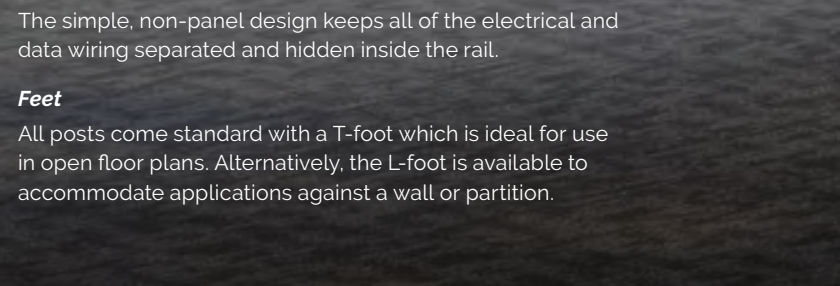
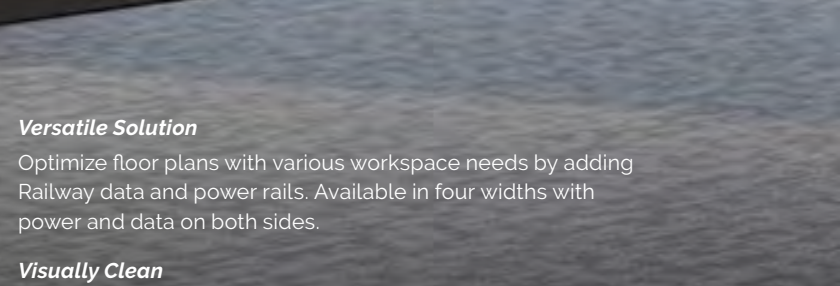
Charge Ahead and Power Through

Get power when and where you need it most: bring outlets to you with the FlexCharge series or wire your workplace with the Railway series. Our options make these power source solutions adaptable for virtually any workspace.



Power Solutions

Railway™



Versatile Solution

Optimize floor plans with various workspace needs by adding Railway data and power rails. Available in four widths with power and data on both sides.

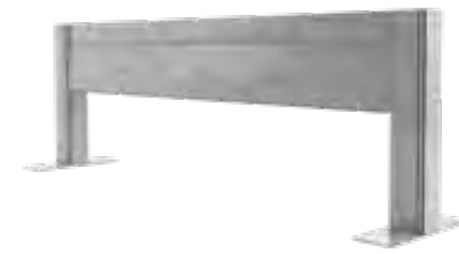
Visually Clean

The simple, non-panel design keeps all of the electrical and data wiring separated and hidden inside the rail.

Feet

All posts come standard with a T-foot which is ideal for use in open floor plans. Alternatively, the L-foot is available to accommodate applications against a wall or partition.

Railway™



Railway

Power and Data Solution

Features

Four available widths: 36", 48", 60", and 72"

18"h x 3.3"w post

3.6"w x 12"d T foot (standard)

3.6"w x 7.8"d L foot (optional)

Power and data can be utilized on both sides of the rail

Cable/data channel

Up to ten rails can be connected to each other (for anything over ten rails, contact a local electrician)

Up to eight 125V AC outlets per rail and four inputs for data

Specify base or ceiling feed

UL listed

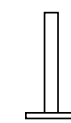
20 amps

Four circuits, eight wire Byrne™ 8trac system

Fourth circuit is isolated and dedicated

Optional electric compliance available for municipal standards such as NY Box, California Title 24, and Chicago
Please reference the Railway Spec Guide for more details

Warranty: Lifetime



T-foot
standard



L-foot
optional

Available Finishes:

- Silver - SLV
48.0"/60.0" ships in 48 hrs.
36.0"/72.0" LT
- Black - BLK
All sizes LT
- White - WHT
All sizes LT



Rail

MODEL #		
RAIL-RWY36-DBL-_-_-	\$1,101	LT
RAIL-RWY36-DBL-CHI-_-_-	\$1,101	LT
RAIL-RWY36-DBL-CALI-_-_-	\$1,101	LT
RAIL-RWY48-DBL-_-_-	\$1,152	LT
RAIL-RWY48-DBL-CHI-_-_-	\$1,152	LT
RAIL-RWY48-DBL-CALI-_-_-	\$1,152	LT
RAIL-RWY60-DBL-_-_-	\$1,239	LT
RAIL-RWY60-DBL-CHI-_-_-	\$1,239	LT
RAIL-RWY60-DBL-CALI-_-_-	\$1,239	LT
RAIL-RWY72-DBL-_-_-	\$1,331	LT
RAIL-RWY72-DBL-CHI-_-_-	\$1,331	LT
RAIL-RWY72-DBL-CALI-_-_-	\$1,331	LT



Ceiling Feed

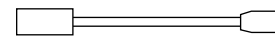
MODEL #		
CEILINGFEED-144	\$320	LT
CEILINGFEED-144-NY	\$654	LT
CEILINGFEED-144-CALI	\$519	LT

Power Pole

MODEL #		
RAIL-POLE-142-_-_-	\$357	LT

Base Feed

MODEL #		
BASEFEED-72-END	\$262	LT
BASEFEED-72-END-NY	\$408	LT
BASEFEED-72-END-CALI	\$403	LT



Rail jumper

MODEL #		
RAIL-JUMPER-22	\$169	LT



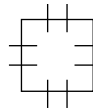
End Posts

MODEL #		
POSTKIT-END-DBL-_-_-	\$356	LT



3-way Posts

MODEL #		
POSTKIT-3WAY-DBL-_-_-	\$387	LT



4-way Posts

MODEL #		
POSTKIT-4WAY-DBL-_-_-	\$404	LT



90° Posts

MODEL #		
POSTKIT-90-DBL-_-_-	\$372	LT



180° Posts

MODEL #		
POSTKIT-180-DBL-_-_-	\$372	LT



120° Posts

MODEL #		
POSTKIT-120-DBL-_-_-	\$348	LT



180° Knock Out Posts

MODEL #		
POSTKIT-180KO-DBL-_-_-	\$332	LT

Linear Configurations

2-pack (up to two users)

Rail kits include: rails, post kits, jumpers, and basefeed. Refer to Railway Spec Guide for quantities.

MODEL #		
RAIL-KIT36-2PK-DBL-_-_-	\$2,024	LT
RAIL-KIT48-2PK-DBL-_-_-	\$2,075	LT
RAIL-KIT60-2PK-DBL-_-_-	\$2,159	LT
RAIL-KIT72-2PK-DBL-_-_-	\$2,253	LT

Posts, rails, and feet will match specified finish

4-pack (up to four users)

Rail kits include: rails, post kits, jumpers, and basefeed. Refer to Railway Spec Guide for quantities.

MODEL #		
RAIL-KIT36-4PK-DBL-_-_-	\$3,645	LT
RAIL-KIT48-4PK-DBL-_-_-	\$3,745	LT
RAIL-KIT60-4PK-DBL-_-_-	\$3,918	LT
RAIL-KIT72-4PK-DBL-_-_-	\$4,101	LT

Posts, rails, and feet will match specified finish

6-pack (up to six users)

Rail kits include: rails, post kits, jumpers, and basefeed. Refer to Railway Spec Guide for quantities.

MODEL #		
RAIL-KIT36-6PK-DBL-_-_-	\$5,267	LT
RAIL-KIT48-6PK-DBL-_-_-	\$5,418	LT
RAIL-KIT60-6PK-DBL-_-_-	\$5,675	LT
RAIL-KIT72-6PK-DBL-_-_-	\$5,949	LT

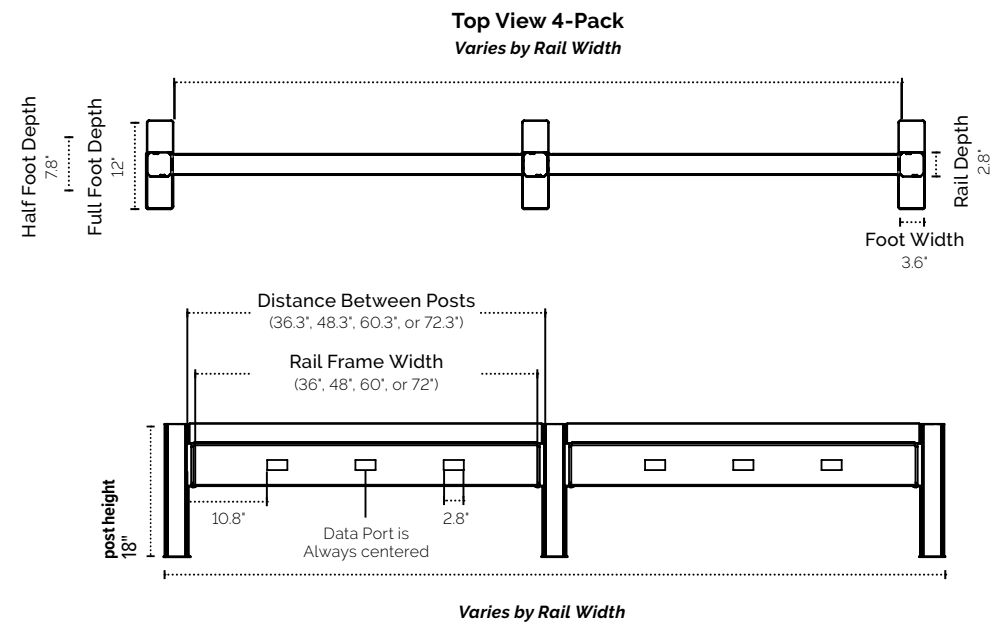
Posts, rails, and feet will match specified finish

8-pack (up to eight users)

Rail kits include: rails, post kits, jumpers, and basefeed. Refer to Railway Spec Guide for quantities.

MODEL #		
RAIL-KIT36-8PK-DBL-_-_-	\$6,888	LT
RAIL-KIT48-8PK-DBL-_-_-	\$7,091	LT
RAIL-KIT60-8PK-DBL-_-_-	\$7,434	LT
RAIL-KIT72-8PK-DBL-_-_-	\$7,799	LT

Posts, rails, and feet will match specified finish



When considering space requirements, it is important to remember to include the total combination of rail and post measurements.

2-Pack (up to two users)



Run Includes:

- Two – End posts
- One – Rail in the size of your choosing, double run
- One – Base feed
- Two – T-feet
- Four – Receptacles
- Two – Data ports

A **2-pack** is a one to two user configuration
Up to **two** users can be provided power and data based on specified run
Kits not applicable in New York, Chicago, or California

4-Pack (up to four users)



Run Includes:

- Two – End posts
- One – 180° post
- Two – Rails in the size of your choosing, double run
- One – Base feed
- Three – T-feet
- One – Jumper
- Eight – Receptacles
- Four – Data ports

A **4-pack** is a two to four user configuration
Up to **four** users can be provided power and data based on specified run
Kits not applicable in New York, Chicago, or California

6-pack (up to six users)



Run Includes:

- Two – End posts
- Two – 180° posts
- Three – Rails in the size of your choosing, double run
- One – Base feed
- Four – T-feet
- Two – Jumpers
- Twelve – Receptacles
- Six – Data ports

A **6-pack** is a three to six user configuration
Up to **six** users can be provided power and data based on specified run
Kits not applicable in New York, Chicago, or California

8-pack (up to eight users)



Run Includes:

- Two – End posts
- Three – 180° posts
- Four – Rails in the size of your choosing, double run
- One – Base feed
- Five – T-feet
- Three – Jumpers
- Sixteen – Receptacles
- Eight – Data ports

An **8-pack** is a four to eight user configuration
Up to **eight** users can be provided power and data based on specified run
Kits not applicable in New York, Chicago, or California

Power Solutions

FlexCharge Personal Desktop Power



NEW 65W Charging Output Products

All of our FlexCharge Power Modules will be available with enough output wattage to power laptops and other devices typically used throughout the workday.

With 65W of available power output, the new and improved FlexCharge line of personal desktop power will be available to ship Quarter 3, 2025.

Quick Reach

Puts power within reach for any individual desk or benching environment.

Charging

Includes quick-charge USB-A and USB-C ports for powering up phones, tablets or other devices.

Quality Testing

Meets CSA C22.2 No269 surge protection guidelines.

FlexCharge4CX Extended Reach

Six additional AC outlets on the power adapter which mounts below the worksurface for all workstation equipment that needs power, but doesn't need to be seen.

Specifications

AC Power Outlet	15A, 120V, 60Hz			
USB Maximum Current Flow	USB Type-A	5V: 2.4A		
	USB Type-C (PD 3.0)	5V: 3A	9V: 3A	12V: 3A
		15V: 3A	20V: 3.25A	
USB Maximum Combined Outlet	65W			

FlexCharge3C-65W complies with UL 962A Standard for Furniture Power Distribution Units and meet respective spill test criteria.

FlexCharge™ 4CX-65W



FlexCharge 4CX-65W

Personal Desktop Power

\$488

MODEL # FCH4C-65W-BLK
MODEL # FCH4C-65W-WHT

Features

- Two AC outlets
- One quick-charge USB-A port
- One quick-charge USB-C port
- Power strip: six AC outlets
- Power module: universal mounting bracket that allows for a desk clamp, 2" grommet, or under worksurface mount
- Power strip: mounts below the worksurface
- Power module meets spillprotection criteria
- UL and cUL listed
- Chicago Code compliant mounting brackets on power strip
- Complies with CAN ICES (B) / NMB (B)
- 9' power cord (*black*)
- 28.5" connection cord (*color matched to power module*)
- Indicator light illuminates when built-in surge protection is active
- Warranty: 10 Years

FlexCharge™ 4C-65W



FlexCharge 4C-65W

Personal Desktop Power

\$314

MODEL # FCH4C-65W-BLK
MODEL # FCH4C-65W-WHT

Features

- Two AC outlets
- One quick-charge USB-A port
- One quick-charge USB-C port (*device dependent*)
- Universal mounting bracket that allows for a desk clamp, 2" grommet, or under worksurface mount
- Meets spill-protection criteria
- UL and cUL listed
- 9' power cord
- Indicator light illuminates when built-in surge protection is active
- Complies with CAN ICES (B) / NMB (B)
- Warranty: 10 Years

FlexCharge™ 3C-65W



FlexCharge 3C-65W

Personal Desktop Power

\$225

MODEL # FCH3C-65W-BLK
MODEL # FCH3C-65W-WHT

Features

- One AC outlet
- One quick-charge USB-A port
- One quick-charge USB-C port
- Universal mounting bracket that allows for a desk clamp, 2" grommet, or under worksurface mount
- Meets spill-protection criteria
- 9' power cord
- UL and cUL listed
- Complies with CAN ICES (B) / NMB (B)
- Warranty: 10 Years

FlexCharge™ Power Strip



FlexCharge Power Strip

Personal Desktop Power

\$172

MODEL # FCH-PSTRIP-BLK
MODEL # FCH-PSTRIP-WHT

Features

- Power strip: six AC outlets
- Power strip can be either mounted under the worksurface using provided mounting brackets or used in conjunction with wire management accessories
- UL and cUL listed
- Chicago Code Compliant mounting brackets
- 9' power cord
- Indicator light illuminates when built-in surge protection is active
- Warranty: 10 Years

Available Finishes:

- Black - BLK
- White - WHT

Available Finishes:

- Black - BLK
- White - WHT

Available Finishes:

- Black - BLK
- White - WHT

Available Finishes:

- Black - BLK
- White - WHT

FlexCharge PowerHubs



Convenient accessibility

PowerHub offers a convenient yet out-of-the-way place to charge personal devices keeping the worksurface environment clear.

Charging options

PowerHub offers 3 charging options, USB-A, USB-C and Qi Wireless.

Quality testing

Meets UL 62368-1 and CAN/CSA C22.2 No. 62368-1:2014

FlexCharge™ Hub K1



FlexCharge Hub K1

Desktop Charging Station for Single Kata and KataEX Monitor Arms

\$306

MODEL # FCHHUB-K1-SLV
MODEL # FCHHUB-K1-BLK
MODEL # FCHHUB-K1-WHT

Features

Qi wireless charging pad, 5V-2A (10W Coil)

Two fast charging USB ports:

- (1) USB-A (5V-2.4A charging speed)
- (1) USB-C (5V-2A charging speed)

Power Consumption:

- Max power output: 44W
- No load: 2-3 W
- Full load (all ports used): 40W

Power insert:

- AC Input - 120V
- DC Output - 12V, 3A

Built-in surge protection

UL and cUL listed

6' power cord

Warranty: 10 Years

Wireless charging is not compatible with MagSafe technology

FlexCharge™ Hub K2



FlexCharge Hub K2

Desktop Charging Station for Dual Kata and Kata2-MS Monitor Arms

\$306

MODEL # FCHHUB-K2-SLV
MODEL # FCHHUB-K2-BLK
MODEL # FCHHUB-K2-WHT

Features

Qi wireless charging pad, 5V-2A (10W Coil)

Two fast charging USB ports:

- (1) USB-A (5V-2.4A charging speed)
- (1) USB-C (5V-2A charging speed)

Power Consumption:

- Max power output: 44W
- No load: 2-3 W
- Full load (all ports used): 40W

Power insert:

- AC Input - 120V
- DC Output - 12V, 3A

Built-in surge protection

UL and cUL listed

6' power cord

Warranty: 10 Years

Wireless charging is not compatible with MagSafe technology

Available Finishes:

- Silver - SLV
- Black - BLK
- White - WHT

Markerboards

The Ultimate Canvas

Quality materials and forward thinking design working together to deliver a simple, yet effective collaboration tool that get your ideas moving.

Solo Flush
Black / Anodized

Solo Flush
Rose / Anodized

Solo Framed
Coral / Coral

eM

- **NEW!**
- Ships in 48 hours
- eM: 40" W X 72.5" H X 22" D
- Full Frame
- Premium, 4mm, low-iron glass
- Non-ghosting
- Dual sided writing surface
- Gloss finish
- Magnetic (dual sided)
- White glass and 3 frame colors: white, black, and silver
- Caster color: black



eM Key
EM-GL-M-WHT-WHT-BLK
 a b c d e f
a. Product Group
b. Finish
c. Magnetic
d. Glass Color
e. Frame Color
f. Caster Color



Model Number	Markerboards Mobile – eM	
		a. Product Group: EM (eM)
	b. Standard Glass Finish: Gloss (GL)	
	c. Magnetic (M)	
	d. Standard Glass Color: White (WHT)	
	e. Standard Frame Colors: White (WHT), Black (BLK), Silver (SLV)	
	f. Caster Color (Stem and Hub): Black (BLK)	
	Quickship:	
	White Glass – 3 Frame Colors:	
EM-GL-M-WHT-WHT-BLK	eM Quickship/40"x72.5"x22"/Gloss/Magnetic/White Glass/White Frame/Black Casters	\$5,000
EM-GL-M-WHT-BLK-BLK	eM Quickship/40"x72.5"x22"/Gloss/Magnetic/White Glass/Black Frame/Black Casters	\$5,000
EM-GL-M-WHT-SLV-BLK	eM Quickship/40"x72.5"x22"/Gloss/Magnetic/White Glass/Silver Frame/Black Casters	\$5,000

1 Unit – \$300 Crate Fee per each eM Mobile Glass Markerboard
2–3 Units – \$225 Crate Fee per each eM Mobile Glass Markerboard
4+ Units – \$150 Crate Fee per each eM Mobile Glass Markerboard
 See page 210 for current freight policy.

Markerboards Mobile

- Color Options:**
- White
 - Silver
 - Black

AF (In Stock)

- In stock and ready to go
- AF: 36"W x 75"H x 24"D
- Solid wood construction
- Dual sided writing surface
- High Performance, matte finish
- Non-Glare, Non-ghosting
- Ample storage
- 2 Interior Finishes: Field Elm, Neo Walnut
- In stock, ready to ship in 48 hours
- Made in North America

Writing Surface



White / Matte

Interior Finish



Field Elm LPL



Neo Walnut LPL



AF Key
AF-SE-M-FE-WHT
 a b c d e

- a. Product Group**
- b. Finish**
- c. Magnetic**
- d. Interior Finish**
- e. Writing Surface Color**

Model Number	Markerboards Mobile – AF	
		a. Product Group: AF (AF)
	b. Standard Glass Finishes: SatinEtch (SE)	
	c. Magnetic (M)	
	d. Standard Interior Finishes (HPL): Field Elm (FE), Neo Walnut (NW) e. Standard Writing Surface Color: White (WHT)	
	Quickship:	
AF-SE-M-FE-WHT	AF/36" x 75" x 24"/SatinEtch/Magnetic/Field Elm/White Matte	\$12,305
AF-SE-M-NW-WHT	AF/36" x 75" x 24"/SatinEtch/Magnetic/Neo Walnut/White Matte	\$12,305

AF ships fully wrapped on individual pallet.

No crate fee required.

See page 210 for current freight policy.

Markerboards Wall-Mount



SOLO

- Made to order
- 8 Standard Sizes and Custom
- Full Frame
- Premium, 4mm, low-iron glass
- Non-ghosting
- Gloss and SatinEtch (Non-glare)
- Magnetic and non-magnetic
- 16 coordinating glass colors and 17 frame colors
- Specify vertical or horizontal
- Made in USA



Flush



Full Frame



Lifetime Warranty

SOLO Key SO-3624-GL-N-FF-WHT-CA

a b c d e f g

- a. Product Group**
- b. Size (W"xH")**
- c. Glass Finish**
- d. Magnetic (Non-magnetic)**
- e. Frame Option**
- f. Glass Color**
- g. Frame Color**

Note: Frame Color in this section is Clear Anodized only (CA = Silver). For all 17 color options, go to next section below.

Markerboards Wall Mount – SOLO		List Pricing as of 8/1/2025
Model Number		
	<p><i>a. Product Group: SOLO (SO)</i></p> <p><i>b. Standard Sizes: (W"xH") 36x24, 48x36, 48x48, 60x42, 60x48, 72x48, 96x48, 120x48</i></p> <p><i>c. Standard Glass Finishes: Gloss (GL), SatinEtch (SE)</i></p> <p><i>d. Magnetic (M), Non-magnetic (N)</i></p> <p><i>e. Frame Options: Flush (FL), Full Frame (FF)</i></p> <p><i>f. Standard Glass Colors: White (WHT), Black (BLK), Cool Gray (CGY), Blush (BLH), Rose (ROS), Coral (COR), Glacier (GLA), Pacific (PAC), Leaf (LEF), Olive (OLV) Goldenrod (GOL), Timber (TIM), Azure (AZR), Sage (SGE), Slate (SLT), Stardust (STR)</i></p> <p><i>g. Standard Frame Colors: Default Clear Anodized Silver (CA), (White (WHT), Black (BLK), Cool Gray (CGY), Blush (BLH), Rose (ROS), Coral (COR), Glacier (GLA), Pacific (PAC), Leaf (LEF), Olive (OLV) Goldenrod (GOL), Timber (TIM), Azure (AZR), Sage (SGE), Slate (SLT), Stardust (STR), Bronze (BRZ)</i></p>	
	Standard Finishes:	
SO-3624-GL-N-_-_-_-CA	SOLO/36"x24"/Gloss/Non-Magnetic/_ _ Frame/_ _ _ Glass/ Clear Anodized (Silver) Frame	\$1.172
SO-3624-GL-M-_-_-_-CA	SOLO/36"x24"/Gloss/Magnetic/_ _ Frame/_ _ _ Glass/ Clear Anodized (Silver) Frame	\$1.336
SO-3624-SE-N-_-_-_-CA	SOLO/36"x24"/SatinEtch/Non-Magnetic/_ _ Frame/_ _ _ Glass/ Clear Anodized (Silver) Frame	\$2.085
SO-3624-SE-M-_-_-_-CA	SOLO/36"x24"/SatinEtch/Magnetic/_ _ Frame/_ _ _ Glass/ Clear Anodized (Silver) Frame	\$2.459
SO-4836-GL-N-_-_-_-CA	SOLO/48"x36"/Gloss/Non-Magnetic/_ _ Frame/_ _ _ Glass/ Clear Anodized (Silver) Frame	\$1.980
SO-4836-GL-M-_-_-_-CA	SOLO/48"x36"/Gloss/Magnetic/_ _ Frame/_ _ _ Glass/ Clear Anodized (Silver) Frame	\$2.456
SO-4836-SE-N-_-_-_-CA	SOLO/48"x36"/SatinEtch/Non-Magnetic/_ _ Frame/_ _ _ Glass/ Clear Anodized (Silver) Frame	\$4.200
SO-4836-SE-M-_-_-_-CA	SOLO/48"x36"/SatinEtch/Magnetic/_ _ Frame/_ _ _ Glass/ Clear Anodized (Silver) Frame	\$4.917
SO-4848-GL-N-_-_-_-CA	SOLO/48"x48"/Gloss/Non-Magnetic/_ _ Frame/_ _ _ Glass/ Clear Anodized (Silver) Frame	\$2.876
SO-4848-GL-M-_-_-_-CA	SOLO/48"x48"/Gloss/Magnetic/_ _ Frame/_ _ _ Glass/ Clear Anodized (Silver) Frame	\$3.327
SO-4848-SE-N-_-_-_-CA	SOLO/48"x48"/SatinEtch/Non-Magnetic/_ _ Frame/_ _ _ Glass/ Clear Anodized (Silver) Frame	\$5.655
SO-4848-SE-M-_-_-_-CA	SOLO/48"x48"/SatinEtch/Magnetic/_ _ Frame/_ _ _ Glass/ Clear Anodized (Silver) Frame	\$6.608
SO-6042-GL-N-_-_-_-CA	SOLO/60"x42"/Gloss/Non-Magnetic/_ _ Frame/_ _ _ Glass/ Clear Anodized (Silver) Frame	\$2.943
SO-6042-GL-M-_-_-_-CA	SOLO/60"x42"/Gloss/Magnetic/_ _ Frame/_ _ _ Glass/ Clear Anodized (Silver) Frame	\$3.368
SO-6042-SE-N-_-_-_-CA	SOLO/60"x42"/SatinEtch/Non-Magnetic/_ _ Frame/_ _ _ Glass/ Clear Anodized (Silver) Frame	\$5.777
SO-6042-SE-M-_-_-_-CA	SOLO/60"x42"/SatinEtch/Magnetic/_ _ Frame/_ _ _ Glass/ Clear Anodized (Silver) Frame	\$6.847
SO-6048-GL-N-_-_-_-CA	SOLO/60"x48"/Gloss/Non-Magnetic/_ _ Frame/_ _ _ Glass/ Clear Anodized (Silver) Frame	\$3.419
SO-6048-GL-M-_-_-_-CA	SOLO/60"x48"/Gloss/Magnetic/_ _ Frame/_ _ _ Glass/ Clear Anodized (Silver) Frame	\$3.957
SO-6048-SE-N-_-_-_-CA	SOLO/60"x48"/SatinEtch/Non-Magnetic/_ _ Frame/_ _ _ Glass/ Clear Anodized (Silver) Frame	\$6.846
SO-6048-SE-M-_-_-_-CA	SOLO/60"x48"/SatinEtch/Magnetic/_ _ Frame/_ _ _ Glass/ Clear Anodized (Silver) Frame	\$8.076
SO-7248-GL-N-_-_-_-CA	SOLO/72"x48"/Gloss/Non-Magnetic/_ _ Frame/_ _ _ Glass/ Clear Anodized (Silver) Frame	\$3.952
SO-7248-GL-M-_-_-_-CA	SOLO/72"x48"/Gloss/Magnetic/_ _ Frame/_ _ _ Glass/ Clear Anodized (Silver) Frame	\$4.599
SO-7248-SE-N-_-_-_-CA	SOLO/72"x48"/SatinEtch/Non-Magnetic/_ _ Frame/_ _ _ Glass/ Clear Anodized (Silver) Frame	\$7.913
SO-7248-SE-M-_-_-_-CA	SOLO/72"x48"/SatinEtch/Magnetic/_ _ Frame/_ _ _ Glass/ Clear Anodized (Silver) Frame	\$9.363

SOLO (continued)

SO-9648-GL-N-_-_-_-CA	SOLO/96"x48"/Gloss/Non-Magnetic/_ _ Frame/_ _ _ Glass/ Clear Anodized (Silver) Frame	\$4.703
SO-9648-GL-M-_-_-_-CA	SOLO/96"x48"/Gloss/Magnetic/_ _ Frame/_ _ _ Glass/ Clear Anodized (Silver) Frame	\$5.564
SO-9648-SE-N-_-_-_-CA	SOLO/96"x48"/SatinEtch/Non-Magnetic/_ _ Frame/_ _ _ Glass/ Clear Anodized (Silver) Frame	\$9.669
SO-9648-SE-M-_-_-_-CA	SOLO/96"x48"/SatinEtch/Magnetic/_ _ Frame/_ _ _ Glass/ Clear Anodized (Silver) Frame	\$11.636
SO-12048-GL-N-_-_-_-CA	SOLO/120"x48"/Gloss/Non-Magnetic/_ _ Frame/_ _ _ Glass/ Clear Anodized (Silver) Frame	\$6.094
SO-12048-GL-M-_-_-_-CA	SOLO/120"x48"/Gloss/Magnetic/_ _ Frame/_ _ _ Glass/ Clear Anodized (Silver) Frame	\$7.006
SO-12048-SE-N-_-_-_-CA	SOLO/120"x48"/SatinEtch/Non-Magnetic/_ _ Frame/_ _ _ Glass/ Clear Anodized (Silver) Frame	\$12.899
SO-12048-SE-M-_-_-_-CA	SOLO/120"x48"/SatinEtch/Magnetic/_ _ Frame/_ _ _ Glass/ Clear Anodized (Silver) Frame	\$14.742
	Standard Finishes: Solo 12 Coordinating Glass and Frame Colors	
SO-3624-GL-N-_-_-_-	SOLO/36"x24"/Gloss/Non-Magnetic/_ _ Frame/_ _ _ Glass/ _ _ _ Frame	\$1.743
SO-3624-GL-M-_-_-_-	SOLO/36"x24"/Gloss/Magnetic/_ _ Frame/_ _ _ Glass/ _ _ _ Frame	\$1.910
SO-3624-SE-N-_-_-_-	SOLO/36"x24"/SatinEtch/Non-Magnetic/_ _ Frame/_ _ _ Glass/ _ _ _ Frame	\$2.659
SO-3624-SE-M-_-_-_-	SOLO/36"x24"/SatinEtch/Magnetic/_ _ Frame/_ _ _ Glass/ _ _ _ Frame	\$3.026
SO-4836-GL-N-_-_-_-	SOLO/48"x36"/Gloss/Non-Magnetic/_ _ Frame/_ _ _ Glass/ _ _ _ Frame	\$2.873
SO-4836-GL-M-_-_-_-	SOLO/48"x36"/Gloss/Magnetic/_ _ Frame/_ _ _ Glass/ _ _ _ Frame	\$3.205
SO-4836-SE-N-_-_-_-	SOLO/48"x36"/SatinEtch/Non-Magnetic/_ _ Frame/_ _ _ Glass/ _ _ _ Frame	\$4.941
SO-4836-SE-M-_-_-_-	SOLO/48"x36"/SatinEtch/Magnetic/_ _ Frame/_ _ _ Glass/ _ _ _ Frame	\$5.644
SO-4848-GL-N-_-_-_-	SOLO/48"x48"/Gloss/Non-Magnetic/_ _ Frame/_ _ _ Glass/ _ _ _ Frame	\$3.686
SO-4848-GL-M-_-_-_-	SOLO/48"x48"/Gloss/Magnetic/_ _ Frame/_ _ _ Glass/ _ _ _ Frame	\$4.171
SO-4848-SE-N-_-_-_-	SOLO/48"x48"/SatinEtch/Non-Magnetic/_ _ Frame/_ _ _ Glass/ _ _ _ Frame	\$6.461
SO-4848-SE-M-_-_-_-	SOLO/48"x48"/SatinEtch/Magnetic/_ _ Frame/_ _ _ Glass/ _ _ _ Frame	\$7.410
SO-6042-GL-N-_-_-_-	SOLO/60"x42"/Gloss/Non-Magnetic/_ _ Frame/_ _ _ Glass/ _ _ _ Frame	\$3.743
SO-6042-GL-M-_-_-_-	SOLO/60"x42"/Gloss/Magnetic/_ _ Frame/_ _ _ Glass/ _ _ _ Frame	\$4.224
SO-6042-SE-N-_-_-_-	SOLO/60"x42"/SatinEtch/Non-Magnetic/_ _ Frame/_ _ _ Glass/ _ _ _ Frame	\$6.688
SO-6042-SE-M-_-_-_-	SOLO/60"x42"/SatinEtch/Magnetic/_ _ Frame/_ _ _ Glass/ _ _ _ Frame	\$7.541
SO-6048-GL-N-_-_-_-	SOLO/60"x48"/Gloss/Non-Magnetic/_ _ Frame/_ _ _ Glass/ _ _ _ Frame	\$4.310
SO-6048-GL-M-_-_-_-	SOLO/60"x48"/Gloss/Magnetic/_ _ Frame/_ _ _ Glass/ _ _ _ Frame	\$4.874
SO-6048-SE-N-_-_-_-	SOLO/60"x48"/SatinEtch/Non-Magnetic/_ _ Frame/_ _ _ Glass/ _ _ _ Frame	\$7.741
SO-6048-SE-M-_-_-_-	SOLO/60"x48"/SatinEtch/Magnetic/_ _ Frame/_ _ _ Glass/ _ _ _ Frame	\$8.954
SO-7248-GL-N-_-_-_-	SOLO/72"x48"/Gloss/Non-Magnetic/_ _ Frame/_ _ _ Glass/ _ _ _ Frame	\$4.917
SO-7248-GL-M-_-_-_-	SOLO/72"x48"/Gloss/Magnetic/_ _ Frame/_ _ _ Glass/ _ _ _ Frame	\$5.580
SO-7248-SE-N-_-_-_-	SOLO/72"x48"/SatinEtch/Non-Magnetic/_ _ Frame/_ _ _ Glass/ _ _ _ Frame	\$8.956
SO-7248-SE-M-_-_-_-	SOLO/72"x48"/SatinEtch/Magnetic/_ _ Frame/_ _ _ Glass/ _ _ _ Frame	\$10.427
SO-9648-GL-N-_-_-_-	SOLO/96"x48"/Gloss/Non-Magnetic/_ _ Frame/_ _ _ Glass/ _ _ _ Frame	\$5.901
SO-9648-GL-M-_-_-_-	SOLO/96"x48"/Gloss/Magnetic/_ _ Frame/_ _ _ Glass/ _ _ _ Frame	\$6.783
SO-9648-SE-N-_-_-_-	SOLO/96"x48"/SatinEtch/Non-Magnetic/_ _ Frame/_ _ _ Glass/ _ _ _ Frame	\$10.898
SO-9648-SE-M-_-_-_-	SOLO/96"x48"/SatinEtch/Magnetic/_ _ Frame/_ _ _ Glass/ _ _ _ Frame	\$12.838
SO-12048-GL-N-_-_-_-	SOLO/120"x48"/Gloss/Non-Magnetic/_ _ Frame/_ _ _ Glass/ _ _ _ Frame	\$7.463
SO-12048-GL-M-_-_-_-	SOLO/120"x48"/Gloss/Magnetic/_ _ Frame/_ _ _ Glass/ _ _ _ Frame	\$8.365
SO-12048-SE-N-_-_-_-	SOLO/120"x48"/SatinEtch/Non-Magnetic/_ _ Frame/_ _ _ Glass/ _ _ _ Frame	\$14.194
SO-12048-SE-M-_-_-_-	SOLO/120"x48"/SatinEtch/Magnetic/_ _ Frame/_ _ _ Glass/ _ _ _ Frame	\$16.006

\$40 Crate Fee per SOLO Glass Markerboard.

Minimum 5 Glass Markerboards per Frame Color.

If less than 5 Glass Markerboards per color, add \$120 set-up Fee per color.

See page 210 for current freight policy.

Color Options:

- White
- Cool Gray
- Black
- Blush
- Rose
- Glacier
- Pacific
- Leaf
- Olive
- Timber
- Coral
- Goldenrod
- Bronze (frame only)
- Azure
- Sage
- Slate
- Stardust

VITA

- Made to order
- 8 Standard Sizes and Custom
- Frameless
- Premium, 4mm, low-iron glass
- Non-ghosting
- Gloss and SatinEtch (Non-glare)
- Magnetic and non-magnetic
- 16 Glass Colors
- Specify vertical or horizontal
- Made in USA



VITA Key VI-3624-GL-N-WHT

- a. Product Group
- b. Size (W"XH")
- c. Glass Finish
- d. Magnetic (Non-magnetic)
- e. Glass Color

Model Number	Markerboards Wall Mount – VITA	
	a. Product Group: VITA (VI)	List Pricing as of 8/1/2025
	b. Standard Sizes: (W"xH") 36x24, 48x36, 48x48, 60x42, 60x48, 72x48, 96x48, 120x48	
	c. Standard Glass Finishes: Gloss (GL), SatinEtch (SE)	
	d. Magnetic (M), Non-magnetic (N)	
	e. Standard Glass Colors: White (WHT), Black (BLK), Cool Gray (CGY), Blush (BLH), Rose (ROS), Coral (COR), Glacier (GLA), Pacific (PAC), Leaf (LEF), Olive (OLV) Goldenrod (GOL), Timber (TIM), Azure (AZR), Sage (SGE), Slate (SLT), Stardust (STR)	
	Standard Finishes:	
VI-3624-GL-N-_-_-	VITA/36"x24"/Gloss/Non-Magnetic/_-_- Glass	\$961
VI-3624-GL-M-_-_-	VITA/36"x24"/Gloss/Magnetic/_-_- Glass	\$1,068
VI-3624-SE-N-_-_-	VITA/36"x24"/SatinEtch/Non-Magnetic/_-_- Glass	\$1,710
VI-3624-SE-M-_-_-	VITA/36"x24"/SatinEtch/Magnetic/_-_- Glass	\$1,977
VI-4836-GL-N-_-_-	VITA/48"x36"/Gloss/Non-Magnetic/_-_- Glass	\$1,739
VI-4836-GL-M-_-_-	VITA/48"x36"/Gloss/Magnetic/_-_- Glass	\$1,921
VI-4836-SE-N-_-_-	VITA/48"x36"/SatinEtch/Non-Magnetic/_-_- Glass	\$3,451
VI-4836-SE-M-_-_-	VITA/48"x36"/SatinEtch/Magnetic/_-_- Glass	\$3,957
VI-4848-GL-N-_-_-	VITA/48"x48"/Gloss/Non-Magnetic/_-_- Glass	\$2,320
VI-4848-GL-M-_-_-	VITA/48"x48"/Gloss/Magnetic/_-_- Glass	\$2,605
VI-4848-SE-N-_-_-	VITA/48"x48"/SatinEtch/Non-Magnetic/_-_- Glass	\$4,695
VI-4848-SE-M-_-_-	VITA/48"x48"/SatinEtch/Magnetic/_-_- Glass	\$5,027
VI-6042-GL-N-_-_-	VITA/60"x42"/Gloss/Non-Magnetic/_-_- Glass	\$2,341
VI-6042-GL-M-_-_-	VITA/60"x42"/Gloss/Magnetic/_-_- Glass	\$2,619
VI-6042-SE-N-_-_-	VITA/60"x42"/SatinEtch/Non-Magnetic/_-_- Glass	\$4,759
VI-6042-SE-M-_-_-	VITA/60"x42"/SatinEtch/Magnetic/_-_- Glass	\$5,495
VI-6048-GL-N-_-_-	VITA/60"x48"/Gloss/Non-Magnetic/_-_- Glass	\$2,760
VI-6048-GL-M-_-_-	VITA/60"x48"/Gloss/Magnetic/_-_- Glass	\$3,101
VI-6048-SE-N-_-_-	VITA/60"x48"/SatinEtch/Non-Magnetic/_-_- Glass	\$5,667
VI-6048-SE-M-_-_-	VITA/60"x48"/SatinEtch/Magnetic/_-_- Glass	\$6,415
VI-7248-GL-N-_-_-	VITA/72"x48"/Gloss/Non-Magnetic/_-_- Glass	\$3,157
VI-7248-GL-M-_-_-	VITA/72"x48"/Gloss/Magnetic/_-_- Glass	\$3,529
VI-7248-SE-N-_-_-	VITA/72"x48"/SatinEtch/Non-Magnetic/_-_- Glass	\$6,525
VI-7248-SE-M-_-_-	VITA/72"x48"/SatinEtch/Magnetic/_-_- Glass	\$7,485
VI-9648-GL-N-_-_-	VITA/96"x48"/Gloss/Non-Magnetic/_-_- Glass	\$3,689
VI-9648-GL-M-_-_-	VITA/96"x48"/Gloss/Magnetic/_-_- Glass	\$4,227
VI-9648-SE-N-_-_-	VITA/96"x48"/SatinEtch/Non-Magnetic/_-_- Glass	\$7,798
VI-9648-SE-M-_-_-	VITA/96"x48"/SatinEtch/Magnetic/_-_- Glass	\$9,090
VI-12048-GL-N-_-_-	VITA/120"x48"/Gloss/Non-Magnetic/_-_- Glass	\$4,703

VITA (continued)

VI-12048-GL-M-_-_-	VITA/120"x48"/Gloss/Magnetic/_-_- Glass	\$5,157
VI-12048-SE-N-_-_-	VITA/120"x48"/SatinEtch/Non-Magnetic/_-_- Glass	\$10,131
VI-12048-SE-M-_-_-	VITA/120"x48"/SatinEtch/Magnetic/_-_- Glass	\$11,551

\$40 Crate Fee per VITA Glass Markerboard.

VITA 120"x48", 6mm Glass.

See page 210 for current freight policy.

Color Options:

<input type="radio"/> White	<input type="radio"/> Rose	<input type="radio"/> Olive	<input type="radio"/> Azure
<input type="radio"/> Cool Gray	<input type="radio"/> Glacier	<input type="radio"/> Timber	<input type="radio"/> Sage
<input type="radio"/> Black	<input type="radio"/> Pacific	<input type="radio"/> Coral	<input type="radio"/> Slate
<input type="radio"/> Blush	<input type="radio"/> Leaf	<input type="radio"/> Goldenrod	<input type="radio"/> Stardust

VITA QS (In Stock)

- In stock and ready to go
- 6 Standard Sizes
- Frameless
- Premium, 4mm, low-iron glass
- White Glass
- Gloss Finish
- Magnetic
- Universal, vertical or horizontal
- In stock, ready to ship in 48 hours
- Includes microfiber dry erase cloth and magnet



VITA QS Key VI-QS-3624-GL-M-WHT

- a. Product Group
- b. Quickship
- c. Size (W"XH")
- d. Finish
- e. Magnetic
- f. Glass Color

Model Number	Markerboards Wall Mount – VITA QS (Quickship)	
	a. Product Group: VITA Quickship (VI-QS)	List Pricing as of 8/1/2025
	b. Quickship	
	c. Standard Sizes (Nominal Dimensions): (W"xH") 35.43x23.62, 47.24x35.43, 47.24x47.24, 59x47.24, 70.86x47.24, 94.48x47.24	
	d. Standard Glass Finishes: Gloss (GL)	
	e. Magnetic (M)	
	f. Standard Glass Colors: White (WHT)	
	Standard Finishes:	
VI-QS-3624-GL-M-WHT	VITA Quickship/35.43"x23.62"/Gloss/Magnetic/White Glass	\$728
VI-QS-4836-GL-M-WHT	VITA Quickship/47.24"x35.43"/Gloss/Magnetic/White Glass	\$1,049
VI-QS-4848-GL-M-WHT	VITA Quickship/47.24"x47.24"/Gloss/Magnetic/White Glass	\$1,295
VI-QS-6048-GL-M-WHT	VITA Quickship/59"x47.24"/Gloss/Magnetic/White Glass	\$1,498
VI-QS-7248-GL-M-WHT	VITA Quickship/70.86"x47.24"/Gloss/Magnetic/White Glass	\$1,846
VI-QS-9648-GL-M-WHT	VITA Quickship/94.48"x47.24"/Gloss/Magnetic/White Glass	\$2,545

Each Markerboard ships in an individual carton (included).

No crate fee required. See page 210 for current freight policy.

Color Options:

White

MURO

- Made to order
- 6 Standard Sizes and Custom
- Full Frame
- High Performance Porcelain Writing Surface
- Non-Ghosting
- White, High Gloss
- Magnetic
- Specify vertical or horizontal
- Optional, full width Pen Tray
- Made in USA



Lifetime Warranty

MURO Key
MU-3624-GL-M-WHT-PT
 a b c d e f

- a. Product Group**
- b. Size (W"XH")**
- c. Finish**
- d. Magnetic**
- e. Porcelain Color**
- f. Optional Pen Tray**

Model Number	Markerboards Wall Mount – MURO	
	a. MURO Product Code: MU	List Pricing as of 8/1/2025
	b. Standard Sizes: (W"xH") 36x24, 48x36, 60x48, 72x48, 96x48, 120x48	
	c. Standard Porcelain Finishes: Gloss (GL)	
	d. Magnetic (M)	
	e. Standard Porcelain Color: White Only	
	f. Option: Pen Tray (PT)	
	Standard Finishes:	
MU-3624-GL-M-WHT	MURO/36"x24"/Gloss/Magnetic/White	\$1,068
MU-4836-GL-M-WHT	MURO/48"x36"/Gloss/Magnetic/White	\$1,175
MU-6048-GL-M-WHT	MURO/60"x48"/Gloss/Magnetic/White	\$1,461
MU-7248-GL-M-WHT	MURO/72"x48"/Gloss/Magnetic/White	\$1,632
MU-9648-GL-M-WHT	MURO/96"x48"/Gloss/Magnetic/White	\$1,980
MU-12048-GL-M-WHT	MURO/120"x48"/Gloss/Magnetic/White	\$2,199
	With Full Width Pen Tray:	
MU-3624-GL-M-WHT-PT	MURO/36"x24"/Gloss/Magnetic/White/Pen Tray	\$1,164
MU-4836-GL-M-WHT-PT	MURO/48"x36"/Gloss/Magnetic/White/Pen Tray	\$1,303
MU-6048-GL-M-WHT-PT	MURO/60"x48"/Gloss/Magnetic/White/Pen Tray	\$1,595
MU-7248-GL-M-WHT-PT	MURO/72"x48"/Gloss/Magnetic/White/Pen Tray	\$1,804
MU-9648-GL-M-WHT-PT	MURO/96"x48"/Gloss/Magnetic/White/Pen Tray	\$2,181
MU-12048-GL-M-WHT-PT	MURO/120"x48"/Gloss/Magnetic/White/Pen Tray	\$2,373

Each Markerboard ships in an individual carton (included).

No crate fee required.

See page 210 for current freight policy.

Color Options:

White

MURO QS (In Stock)

- In stock and ready to go
- 6 Standard Sizes
- Full Frame
- High Performance Porcelain Writing Surface
- White, High Gloss
- Magnetic
- Universal, vertical or horizontal
- In stock, ready to ship in 48 hours
- Includes microfiber dry erase cloth and magnet



Quickship Lifetime Warranty

MURO QS Key
MU-QS-3624-GL-M-WHT
 a b c d e f

- a. Product Group**
- b. Quickship**
- c. Size (W"XH")**
- d. Finish**
- e. Magnetic**
- f. Porcelain Color**

Model Number	Markerboards Wall Mount – MURO QS (Quickship)	
	a. Product Group: MURO Quickship (MU-QS)	List Pricing as of 8/1/2025
	b. Standard Sizes (Nominal Dimensions): (W"xH") 35.43x23.62, 47.24x35.43, 47.24x47.24, 59x47.24, 70.86x47.24, 94.48x47.24	
	c. Standard Porcelain Finishes: Gloss (GL)	
	d. Magnetic (M)	
	e. Standard Porcelain Color: White (WHT)	
	Standard Finishes:	
MU-QS-3624-GL-M-WHT	MURO Quickship/35.43"x23.62"/Gloss/Magnetic/White	\$685
MU-QS-4836-GL-M-WHT	MURO Quickship/47.24"x35.43"/Gloss/Magnetic/White	\$878
MU-QS-4848-GL-M-WHT	MURO Quickship/47.24"x47.24"/Gloss/Magnetic/White	\$1,058
MU-QS-6048-GL-M-WHT	MURO Quickship/59"x47.24"/Gloss/Magnetic/White	\$1,125
MU-QS-7248-GL-M-WHT	MURO Quickship/70.86"x47.24"/Gloss/Magnetic/White	\$1,480
MU-QS-9648-GL-M-WHT	MURO Quickship/94.48"x47.24"/Gloss/Magnetic/White	\$1,747

Each Markerboard ships in an individual carton (included).

No crate fee required.

See page 210 for current freight policy.

Color Options:

White

Markerboards

Accessories



Markerboard Accessories (In Stock)

Solid Maple Set - 1 Maple Pen Holder, 6 Maple Magnets, 1 Dry Erase Microfiber Cloth

Model Number	Size	Unit Price
AC-SET-MPL	2' x 12' x 2'	\$1,017



Solid Walnut Set - 1 Walnut Pen Holder, 6 Walnut Magnets, 1 Dry Erase Microfiber Cloth

Model Number	Size	Unit Price
AC-SET-WAL	2' x 12' x 2'	\$1,017



White Accessory Set - 1 White Pen Holder, 6 Magnets, 1 Eraser with 3 Replacement Pads

Model Number	Color	Unit Price
AC-SET-WHT	White	\$289



Black Deluxe Accessory Set - 1 Black Aluminum Pen Holder, 6 Magnets, 1 Eraser with 3 Replacement Pads

Model Number	Color	Unit Price
AC-SET-BLK	Black	\$405



Silver Aluminum Pen Tray

Model Number	Size	Unit Price
AC-TRY-SLV	12' x 2.5' x 1.25'	\$289



Black Aluminum Pen Tray

Model Number	Size	Unit Price
AC-TRY-BLK	12' x 2.5' x 1.25'	\$289



Dry Erase Microfiber Cloth

Model Number	Unit Price
AC-CLT-BLK	\$8



Markerboards

Markerboard ID™

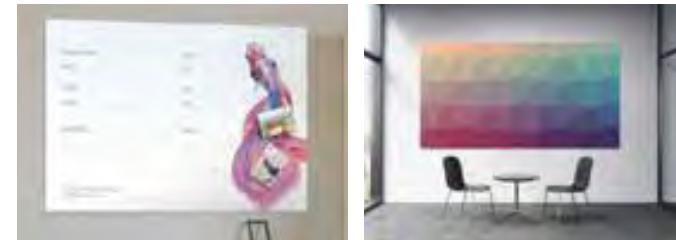
Custom Color & Design Program



Make your Mark

With Fellowes Markerboard ID™ Custom Color and Design Program, you can create unique and purposeful markerboards that engage the workspace. Choose striking material colors, add your own graphics to create personalized and functional markerboards that inspire your people to make their mark.

Markerboard ID™



Process

To get started, contact your Fellowes sales rep. Our team will work with you on customization choices, logos, quantities, and timing.

Timeline

Once the custom design is approved and we have received a clean Purchase Order, lead time will be approximately 6-8 weeks.

A Fellowes customer service contact will be assigned to communicate with directly throughout this process.

A Project Dashboard outline will also be provided so expectations and delivery dates are clearly communicated.

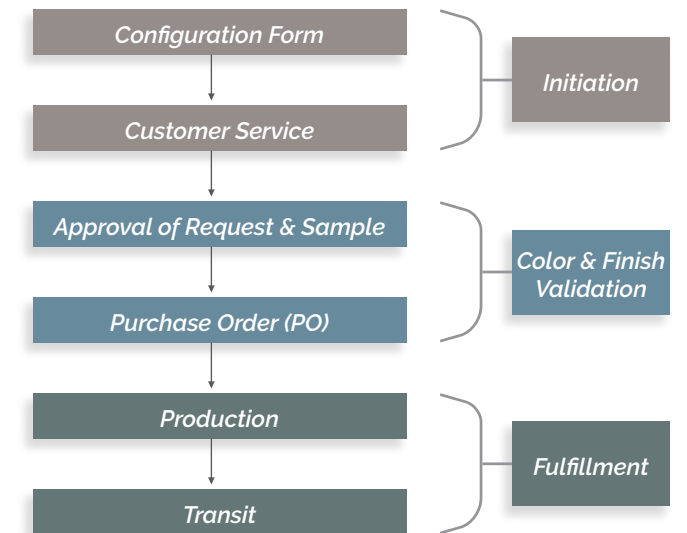
This Process Flow Chart outlines each step that is necessary for successful completion.

How it Works

Fellowes direct-to-glass printing is the latest, state-of-the-art technology. We can easily print your vibrant images, graphics, and charts directly onto

our mobile and select glass markerboards, ensuring long-lasting, fade-free results. No minimum quantities required.

Contact a Fellowes customer service representative for current pricing at 800-833-3746.



Freight Policy for Markerboards

Effective April 1, 2025

Quickship Wall-Mounted Markerboards & Accessories (US Orders)

- Orders over \$3,501 (list): ship free
- Orders under \$3,500 (list): \$35 flat fee
- Residential deliveries: \$70 flat fee

Mobile, Custom, and Non Quickship Wall-Mounted Markerboards

- Orders over \$15,000 (list): ship free
- Orders \$7,501 – \$14,999 (list): \$350 flat fee
- Orders \$50 – \$7,500 (list): \$200 flat fee

CRATE FEES

Non-Quickship Wall-Mounted Markerboards (VITA & MURO made-to-order)

- \$40 per markerboard

Mobile Markerboards (Q! Portrait and Landscape, AX, AX Quickship and eM)

- 1 unit: \$300 each
- 2–3 units: \$225 each
- 4+ units: \$150 each

VITA QS and MURO QS (Quickship)

- No crate fees (ships in cartons)

AF Mobile Markerboards

- No crate fees (ships on individual pallets)



Keyboard Managers

A (Key)Stroke of Genius

Beat fatigue and boost your productivity with a simple solution — maximizing your keyboard. Our keyboard solutions feature built-in elements like tilt adjustment, palm rest, and glide track to elevate your comfort, and are highly adaptable to fit your specific needs.





Keyboard Managers Combo Solutions

Combo Solutions



Solution Ultra

Keyboard Combo Solution

\$635

MODEL # SOLUTION ULTRA

Features

Recommended for radius corner worksurfaces

PL217 keyboard platform

18.8" keyboard platform with 9.3" switch-n-click mousing platform

AA360 articulating arm

Lift-and-lock adjustment

21" glide track

21" clearance required for full retraction

±15° tilt adjustment

7" adjustment range

- 2.5" height above track
- 4.5" height below track

360° glide track rotation

Positions flush with worksurface

Warranty:

- Lifetime (Articulating Arm/Platform)
- 10 Year (Palm Rest/Mouse Pads)



Solution All-Fit

Keyboard Combo Solution

\$594

MODEL # SOLUTION ALL-FIT

Features

Recommended for shallow worksurfaces, or benching applications

PL003-27N keyboard platform

27" keyboard platform with notch (*extracts at two points to achieve full clearance under worksurfaces as shallow as 13"*)

Retracts at two points to achieve full clearance under worksurfaces as shallow as 13"

AA100-PTLO articulating arm

Lift-and-lock adjustment

12.3" glide track

13" clearance required for full retraction

+22.6°/-12.4° tilt adjustment

6" height adjustment range

- 2.4" height above track
- 3.6" height below track

360° glide track rotation

Positions flush with worksurface

Warranty:

- Lifetime (Articulating Arm/Platform)
- 10 Year (Palm Rest/Mouse Pads)



Solution 1 Solution 1CC

Keyboard Platform Combo

\$435

MODEL # SOLUTION 1
MODEL # SOLUTION 1CC

Features

Recommended for straight edge worksurfaces (*Solution 1*) or diagonal corner worksurfaces (*Solution 1CC*)

PL003-25 or PL003CC-25 keyboard platform

25" keyboard platform, rectangle or cut corner

AA260 articulating arm

Spring assisted adjustment

17" glide track

6.3" adjustment range

- 1.3" height above track
- 5" height below track

360° glide track rotation

Positions flush with worksurface

Warranty:

- Lifetime (Articulating Arm/Platform)
- 10 Year (Palm Rest/Mouse Pads)



Combo Solutions



Solution 2 Solution 2CC

Keyboard Platform Combo

\$561

MODEL # SOLUTION 2
MODEL # SOLUTION 2CC

Features

- Recommended for straight edge worksurfaces (*Solution 2*) or diagonal corner worksurfaces (*Solution 2CC*)
- PL003-25 or PL003CC-25 keyboard platform
- 25" keyboard platform, rectangle or cut corner
- AA360 articulating arm
- Lift-and-lock adjustment
- 21" glide track
- 21" clearance required for full retraction
- ±15° tilt adjustment
- 7" adjustment range
 - 2.5" height above track
 - 4.5" height below track
- 360° glide track rotation
- Positions flush with worksurface
- Warranty:
 - Lifetime (*Articulating Arm/Platform*)
 - 10 Year (*Palm Rest/Mouse Pads*)



Solution 3

Keyboard Platform Combo

\$628

MODEL # SOLUTION 3

Features

- Recommended for radius corner worksurfaces
- PL215 keyboard platform
- 18.8" keyboard platform with swivel mouse-below platform
- AA360 articulating arm
- Lift-and-lock adjustment
- 21" glide track
- 21" clearance required for full retraction
- ±15° tilt adjustment
- 7" adjustment range
 - 2.5" height above track
 - 4.5" height below track
- 360° glide track rotation
- Positions flush with worksurface
- Warranty:
 - Lifetime (*Articulating Arm/Platform*)
 - 10 Year (*Palm Rest/Mouse Pads*)



Solution Ultra

Keyboard Platform Combo

\$635

MODEL # SOLUTION ULTRA

Features

- Recommended for radius corner worksurfaces
- PL217 keyboard platform
- 18.8" keyboard platform with 9.3" switch-n-click mousing platform
- AA360 articulating arm
- Lift-and-lock adjustment
- 21" glide track
- 21" clearance required for full retraction
- ±15° tilt adjustment
- 7" adjustment range
 - 2.5" height above track
 - 4.5" height below track
- 360° glide track rotation
- Positions flush with worksurface
- Warranty:
 - Lifetime (*Articulating Arm/Platform*)
 - 10 Year (*Palm Rest/Mouse Pads*)



Combo Solutions



Solution 6 Solution 6CC

Keyboard Platform Combo

\$596

MODEL # SOLUTION 6
MODEL # SOLUTION 6CC

Features

- Recommended for straight edge worksurfaces (*Solution 6*) or diagonal corner worksurfaces (*Solution 6CC*)
- PL003-27 or PL003CC-27 keyboard platform
- 27" keyboard platform, rectangle or cut corner
- AA750DAT articulating arm
- Lift-and-lock and dial-a-tilt adjustment
- 21.8" glide track
- 22" clearance required for full retraction
- +10°/-15° tilt adjustment
- 7.2" adjustment range
 - 2.3" height above track
 - 4.9" height below track
- 360° glide track rotation
- Positions flush with worksurface
- Warranty:
 - Lifetime (*Articulating Arm/Platform*)
 - 10 Year (*Palm Rest/Mouse Pads*)



Solution 7

Keyboard Platform Combo

\$659

MODEL # SOLUTION 7

Features

- Recommended for radius corner worksurfaces
- PL217 keyboard platform
- 18.8" keyboard platform with 9.3" switch-n-click mousing platform
- AA750DAT articulating arm
- Lift-and-lock and dial-a-tilt adjustment
- 21.8" glide track
- 22" clearance required for full retraction
- +10°/-15° tilt adjustment
- 7.2" adjustment range
 - 2.3" height above track
 - 4.9" height below track
- 360° glide track rotation
- Positions flush with worksurface
- Warranty:
 - Lifetime (*Articulating Arm/Platform*)
 - 10 Year (*Palm Rest/Mouse Pads*)



Keyboard Managers

Keyboard Platforms & Articulating Arms

Keyboard Platforms



PL003

Rectangle Platform

25" wide (shown): \$210

27" wide: \$221

27" wide notched: \$221

MODEL # PL003-25
MODEL # PL003-27
MODEL # PL003-27N

Features

For use with straight edge worksurfaces
Accommodates left or right-handed users
Palm rest for both keying and mousing
PL003-27N can only be used in the Solution All-Fit for complete retraction

Warranty:

- Lifetime (Platform)
- 10 Year (Palm Rest, Mouse Pads)



PL003CC

Cut corner Platform

25" wide (shown): \$210

27" wide: \$221

MODEL # PL003CC-25
MODEL # PL003CC-27

Features

For use with diagonal corner worksurfaces
Accommodates left or right-handed users
Palm rest for both keying and mousing

Warranty:

- Lifetime (Platform)
- 10 Year (Palm Rest, Mouse Pads)



Keyboard Platforms



PL215

Swivel Mouse-Below Platform

\$277

MODEL # PL215

Features

Offers a universal fit on virtually any worksurface shape

Accommodates left or right-handed users

Palm rest for both keying and mousing

18.8" platform with a swivel-below mousing platform

Warranty:

- Lifetime (Platform)
- 10 Year (Palm Rest/Mouse Pads)



PL217

Switch-n-Click Platform

\$284

MODEL # PL217

Features

Reversible design; mouse platform mounts on left or right side – no tools required

Independent tilt and swivel mousing platform

Can be used as a mouse in line, mouse over, or mouse forward

Warranty:

- Lifetime (Platform)
- 10 Year (Palm Rest/Mouse Pads)



Articulating Arms



AA260

Articulating Arm

\$225

MODEL # AA260

Features

Spring assisted adjustment

17" glide track

No minimum clearance required for full retraction

±15° tilt adjustment

6.3" adjustment range
 - 1.3" height above track
 - 5" height below track

360° glide track rotation

Positions flush with worksurface

Recommended for any platform

Warranty: Lifetime



AA330

Articulating Arm

\$351

MODEL # AA330

Features

Lift-and-lock adjustment

178" glide track

No minimum clearance required for full retraction

±15° tilt adjustment

7" adjustment range
 - 2.5" height above track
 - 4.5" height below track

360° glide track rotation

Positions flush with worksurface

Recommended for any platform

Warranty: Lifetime



AA360

Articulating Arm

\$351

MODEL # AA360

Features

Lift-and-lock adjustment

21" glide track

21" minimum clearance required for full retraction

±15° tilt adjustment

7" adjustment range
 - 2.5" height above track
 - 4.5" height below track

360° glide track rotation

Positions flush with worksurface

Recommended for any platform

Warranty: Lifetime



Articulating Arms



AA100-PTLO

Articulating Arm

\$373

MODEL # AA100-PTLO

Features

- Lift-and-lock adjustment
- 12.3" glide track
- 13" minimum clearance required for full retraction
- +22.6°/-12.4° tilt adjustment
- 6" adjustment range
 - 2.4" height above track
 - 3.6" height below track
- 360° glide track rotation
- Positions flush with worksurface
- Recommended for PLO03-27N notched platform
- Warranty: Lifetime



AA750DAT

Articulating Arm

\$375

MODEL # AA750DAT

Features

- Lift-and-lock and dial-a-tilt adjustment
- 21.8" glide track
- 22" minimum clearance required for full retraction
- +10°/-15° tilt adjustment
- 7.1" adjustment range
 - 2.2" height above track
 - 4.9" height below track
- 360° glide track rotation
- Positions flush with worksurface
- Recommended for any platform
- Warranty: Lifetime



Articulating Arms



AA370

Articulating Arm with Extended Reach

\$471

MODEL # AA370

Features

- Lift-and-lock adjustment
- 24.8" glide track
- 25" minimum clearance required for full retraction
- ±15° tilt adjustment
- 16" adjustment range
 - 8" height above track
 - 8" height below track
- 360° glide track rotation
- Positions flush with worksurface
- Recommended for any platform
- Warranty: Lifetime



AA780DAT

Articulating Arm with Dial-a-Tilt Adjustment

\$554

MODEL # AA780DAT

Features

- Lift-and-lock and dial-a-tilt adjustment
- 21.8" glide track
- 22" minimum clearance required for full retraction
- +10°/-15° tilt adjustment
- 12.9" adjustment range
 - 8.2" height above track
 - 4.7" height below track
- 360° glide track rotation
- Positions flush with worksurface
- Recommended for any platform
- Warranty: Lifetime



Keyboard Accessories



Spacer Kit

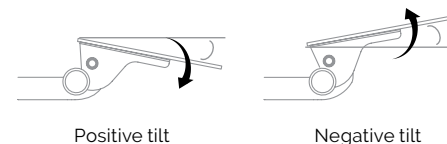
Spacer Kit

\$91

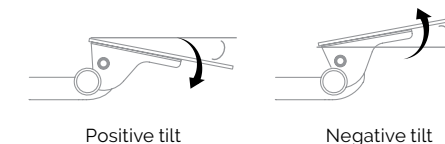
MODEL # SPACERKIT-KBD-BLK

Features

- Ideal for height adjustable tables and benching systems, the kit creates a flat mounting surface for keyboard arms and glide tracks where cross channels typically prevent installations
- Attaches between underside of worksurface and a keyboard arm or glide track
- Includes mounts for benching systems and height adjustable tables
- Powder coated steel construction
- Two sets of spacers included to accommodate needed spacing between 1"-2.2"
- Includes installation hardware
- Warranty: Lifetime



Visit our website for additional specs, dimensional drawings, alternative images and more resources for all of Fellowes' products.



Visit our website for additional specs, dimensional drawings, alternative images and more resources for all of Fellowes' products.

Lighting

Shine On

Cast light where it's needed — after all, your work deserves to be seen. Our desktop task lighting and under-cabinet lighting feature a variety of options, like dimming, occupancy sensors, flexible tilt and rotation, and energy-saving enhancements.



Lighting

Glimor™



Glimor™



Glimor™

Single Arm LED Table Lamp

\$575 LT

MODEL # GLIMOR- _ _ _

See key below for available finish options

Features

LED

3,000K color temperature

924 lumens

84+ CRI

18-watt wall transformer with 9' black cord

> 36,000 hrs. lamp life

60' power cord

ETL listed: compliant to UL153/8750; CSA C22.2 No.250.4; TAA; BAA; FCC Part 15 Class B

Touch sensor for on/off and dimming functions

100%-15% continuous dimming with last state memory

Auto shut-off after 10 hours

Available in eight finishes: black, platinum, designer white, bronze, azure, sage, slate, stardust

Made with fully-recyclable aluminum, steel, and plastic

Low power consumption (9.4 system watts)

Mercury-free

Warranty: 10 Years

Available in 8 Finishes



Black



Silver



Designer White



Bronze



Azure



Sage



Slate



Stardust

Available Finishes:

● Black - BLK

○ Silver - SLV

○ Designer White - DWT

● Bronze - BRZ

● Azure - AZR

● Sage - SGE

● Slate - SLT

● Stardust - STR

Lighting
Lustre



Lustre



Lustre

Telescoping LED Task Light with USB-A Port

\$648

MODEL # LUSTRE- _ _ _

See key below for available finish options

Features

- LED
- 3500 K color temperature
- 350 lumens
- 83 CRI
- 4.8 watts
- 50,000 hrs. lamp life
- Occupancy sensor
- Built-in dimmer
- 12' power cord
- Power source is UL listed
- USB-A charging port
- Telescoping arm reach
- Warranty: 10 Years



Available Finishes:

- Silver - SLV
- White - WHT

Lighting

Lily™ Series



Lily™ Series



Lily LEDX

Single Arm LED Task Light
with USB-A Port

\$328

MODEL # LILY-LEDX- _ _ _
See key below for available finish options

Features

- LED
- 5000 K color temperature
- 900 lumens
- 90 CRI
- 8 watts
- 90,000 hrs. lamp life
- 6 hr. auto shut-off
- Built-in dimmer
- 6' power cord
- Power source and light is ETL listed
- USB-A charging port
- 16.0" arm reach
- Warranty: 10 Years



Lily LED

Single Arm LED Task Light

\$246

MODEL # LILY-LED- _ _ _
See key below for available finish options

Features

- LED
- 5000 K color temperature
- 900 lumens
- 90 CRI
- 8 watts
- 90,000 hrs. lamp life
- Built-in dimmer
- 6' power cord
- Power source and light is ETL listed
- 16.0" arm reach
- Warranty: 10 Years



Available Finishes:

- Silver - SLV
- White - WHT
- Black - BLK

Lighting

Lucera Series

Lucera Series



Lucera – 36"

Under Cabinet LED Lighting Track

Individual: \$600

Set of two: \$1,226

Set of three: \$1,252

Set of four: \$2,478

MODEL # LUCERA-36-SLV
MODEL # LUCERA-36X2-SLV
MODEL # LUCERA-36X3-SLV
MODEL # LUCERA-36X4-SLV
Sets of 2, 3, + 4 Include 24" jumper cord(s)

Features

- 31.7" w x 0.8" d x 0.5" h unit size
- 420 lumens
- 7.1 watts
- 3500 K color temperature
- 85 CRI
- 50,000 hrs. lamp life
- Continuous dimmer
- 9' power cord
- Power source is UL listed
- Combination wood and magnet mounting hardware
- Occupancy sensor sold separately
- Warranty: 10 Years



Lucera – 24"

Under Cabinet LED Lighting Track

Individual: \$437

Set of two: \$1,363

Set of three: \$1,826

Set of four: \$2,289

MODEL # LUCERA-24-SLV
MODEL # LUCERA-24X2-SLV
MODEL # LUCERA-24X3-SLV
MODEL # LUCERA-24X4-SLV
Sets of 2, 3, + 4 Include 24" jumper cord(s)

Features

- 20.1" w x 0.8" d x 0.5" h unit size
- 250 lumens
- 4.4 watts
- 3500 K color temperature
- 85 CRI
- 50,000 hrs. lamp life
- Continuous dimmer
- 9' power cord
- Power source is UL listed
- Combination wood and magnet mounting hardware
- Occupancy sensor sold separately
- Warranty: 10 Years



Occupancy Sensor

\$179

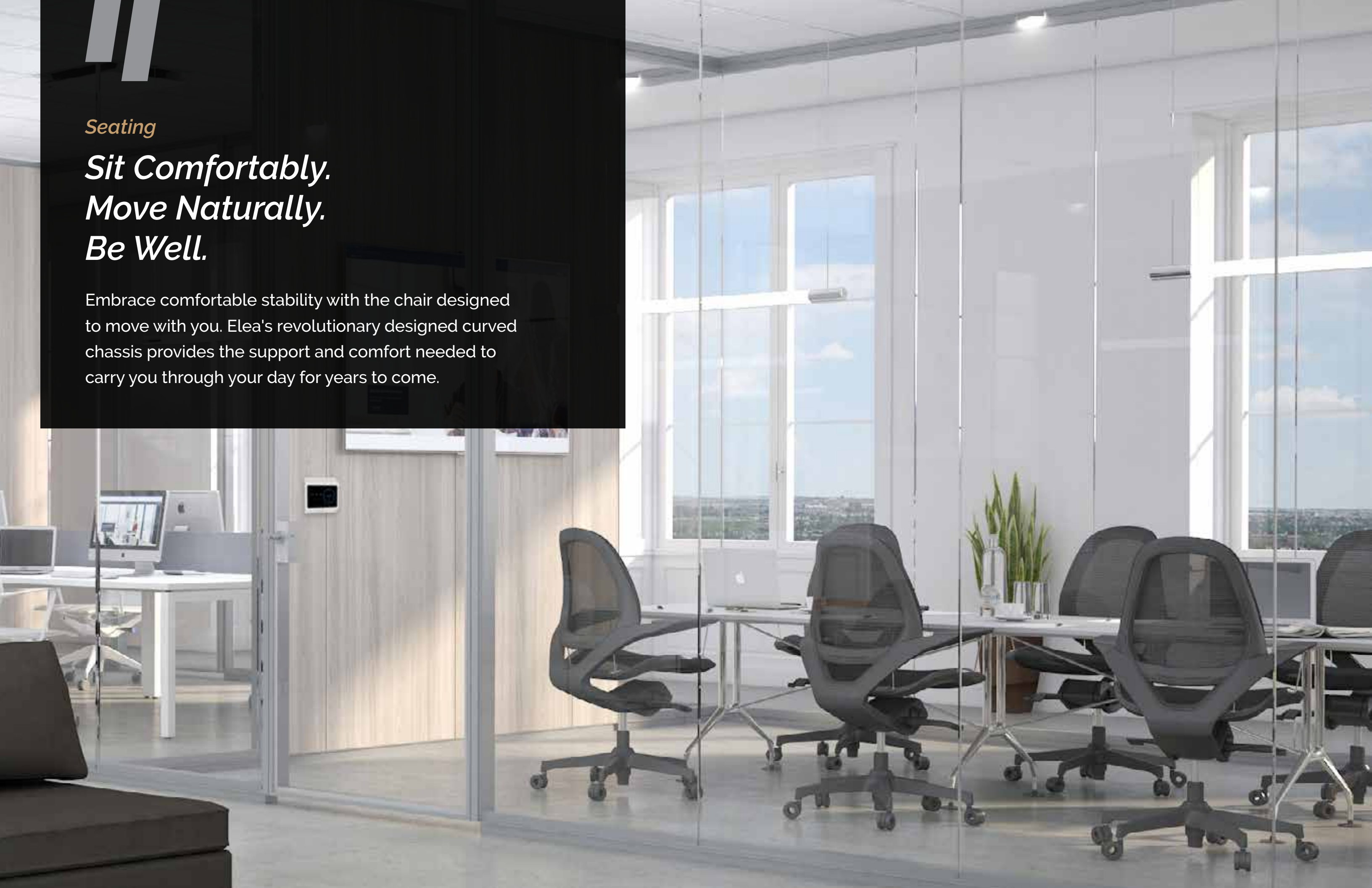
MODEL # LUCERA-OS

One occupancy sensor controls every daisy chained Lucera light, shutting-off all connected lights simultaneously. When motion is detected, lights resume the last brightness setting.

Seating

Sit Comfortably. Move Naturally. Be Well.

Embrace comfortable stability with the chair designed to move with you. Elea's revolutionary designed curved chassis provides the support and comfort needed to carry you through your day for years to come.



Seating

Elea[®]



Breathable Mesh

Seat and back provide relaxing and airy support with poly-elastomeric mesh.

Plush Arm Pads

Self-skinned urethane arm pads.

Balanced Motion

Alloy steel rods and engineered mechanism to stabilize motion.

Omni-Kinetic Suspension Technology™ Seat

Patented suspended seat pan encourages natural movements.

Revolutionary Base

Cast aluminum chassis provides stability.

Tilt Control

Italian designed synchro tilt control mechanism.

Height Adjustable

5" pneumatic cylinder enhances suspended comfort with compressed air cushioning.

Smooth Movement

60mm hubless castors roll quietly and smoothly on hard or carpeted surfaces.

Elea[®]



Elea

Seating

\$2,674

MODEL # ELEA- _ _ _

See key below for available finish options

Features

Patent-pending OmniKinetic suspension seat

Alloy steel rods and suspended seat pan supports and responds to your every move

Aluminum chassis design provides support to carry you through your day

Breathable mesh seat and back provides enhanced air flow for comfort

Adjustable tension to customize tilt movement for posture and lumbar support, with tilt lock lever to set any

of 3 favorite recline positions

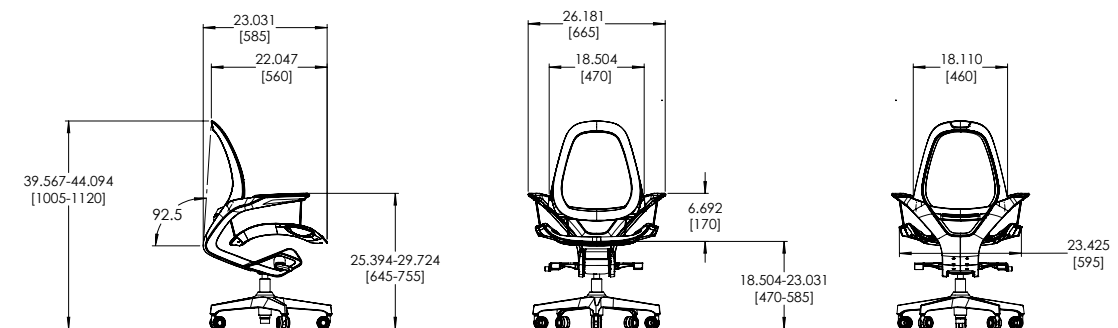
Height adjustable with gas shock suspension for comfort

360-degree swivel and aluminum five-star base with multi-surface hubless casters

Supports up to 275 lbs.

Warranty:

- Lifetime (Frame)
- 5 Year (Mesh)



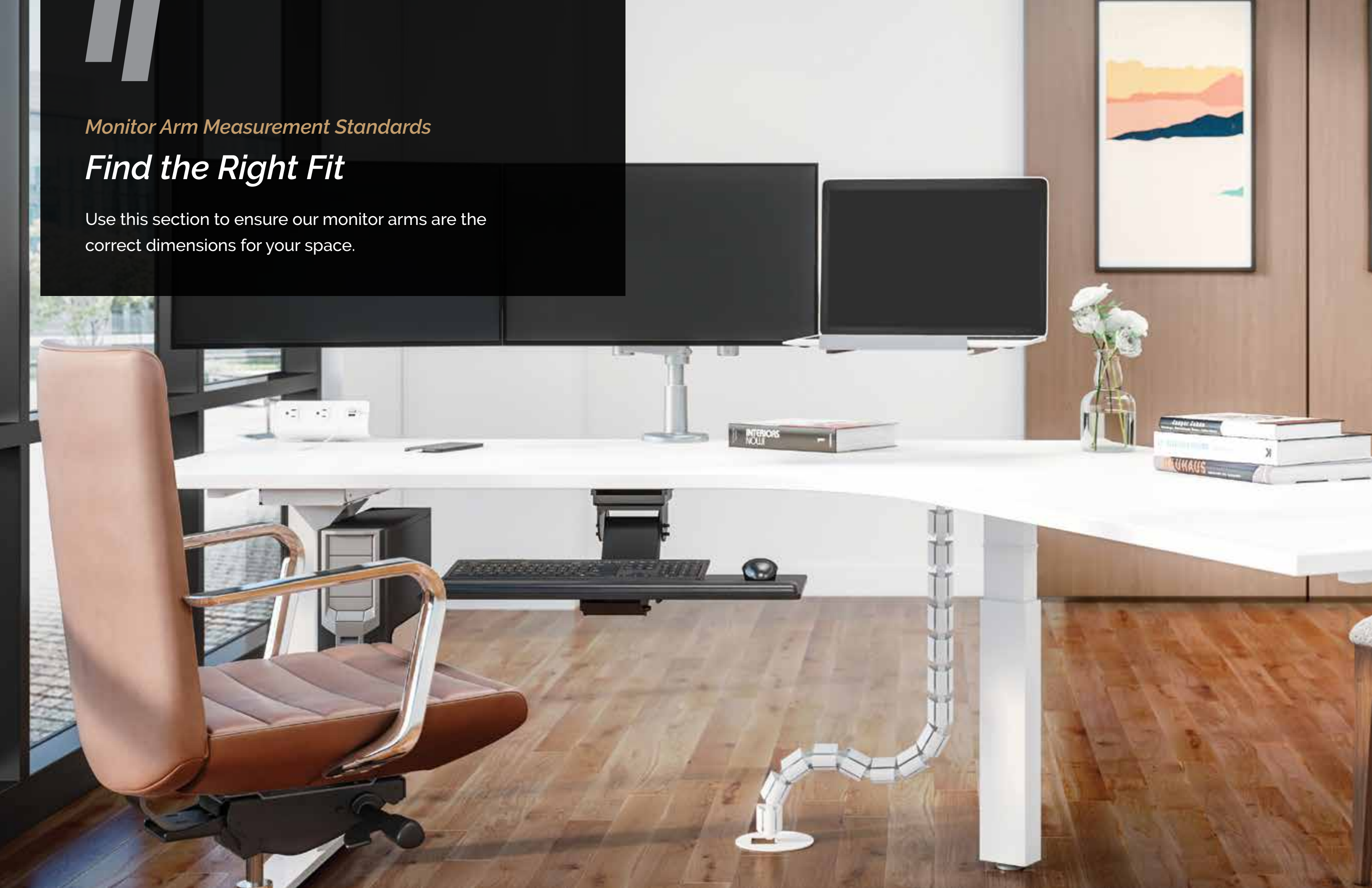
Available Finishes:

- White - WHT
- Black - BLK

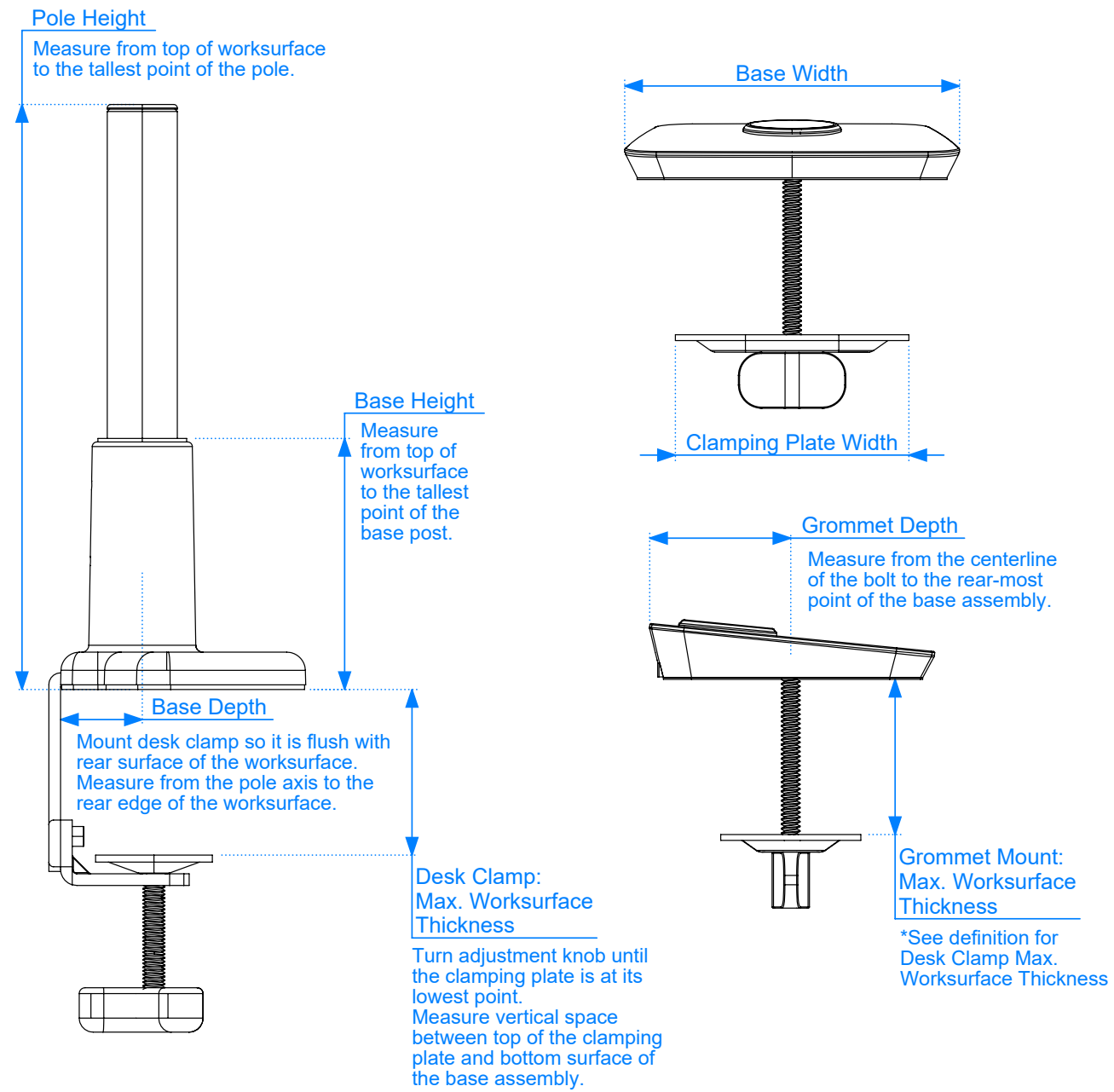
Monitor Arm Measurement Standards

Find the Right Fit

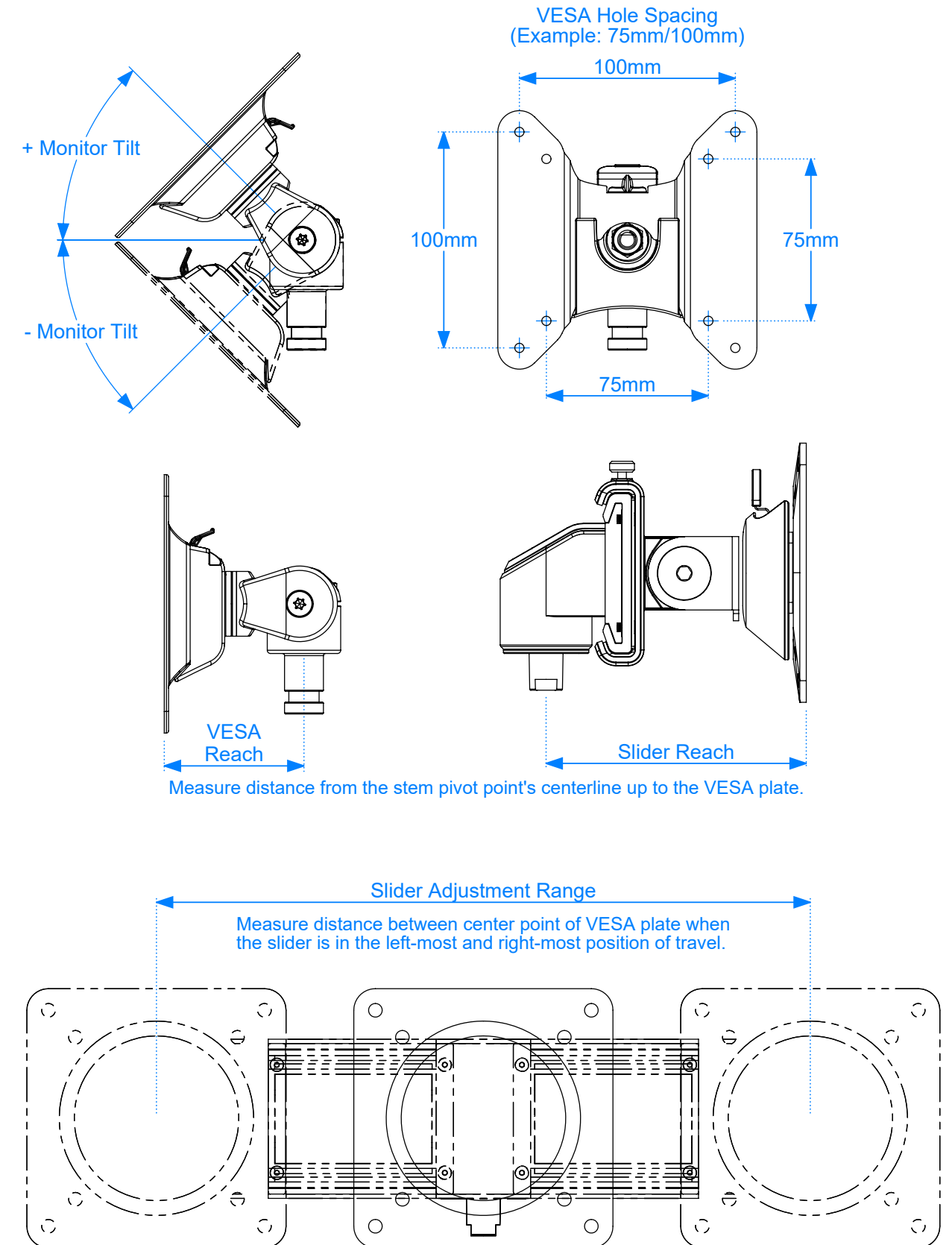
Use this section to ensure our monitor arms are the correct dimensions for your space.



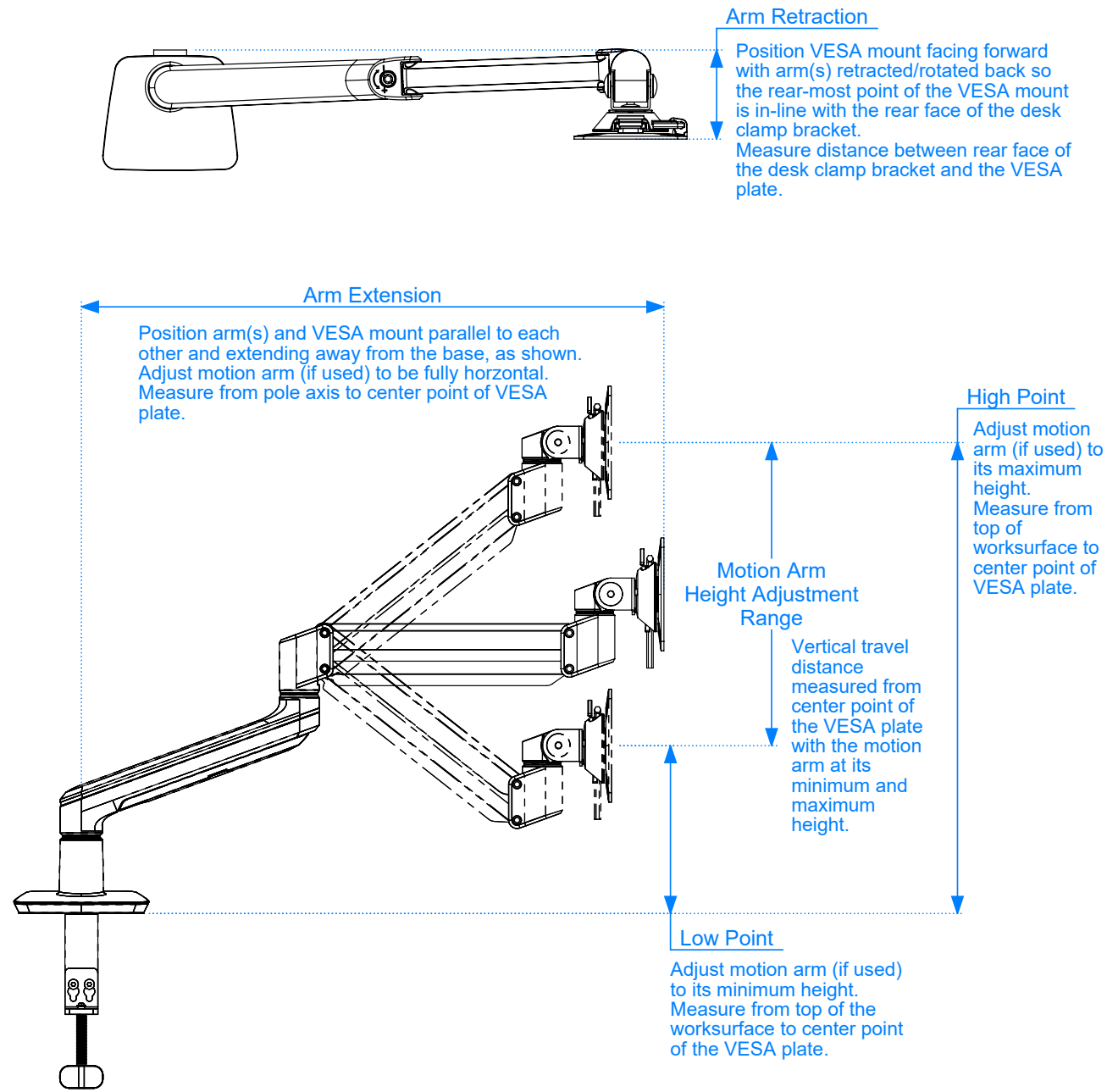
Monitor Arm Measurement Standards



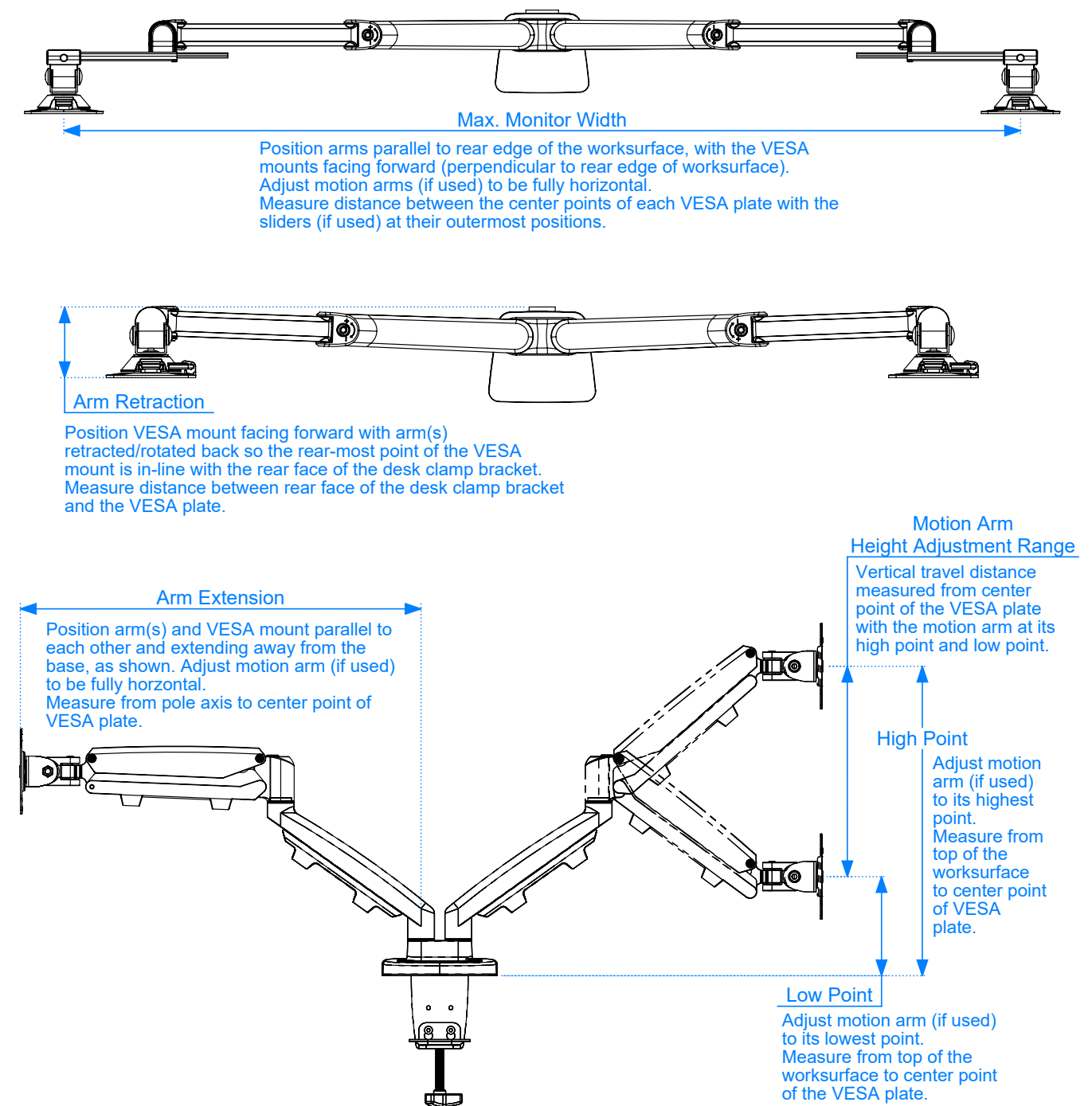
Monitor Arm Measurement Standards



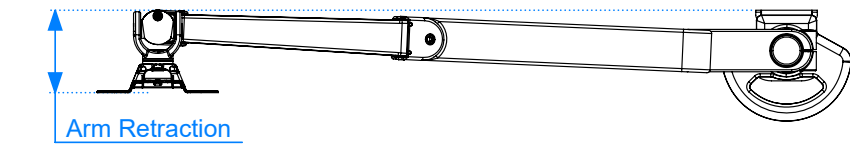
Monitor Arm Measurement Standards



Monitor Arm Measurement Standards

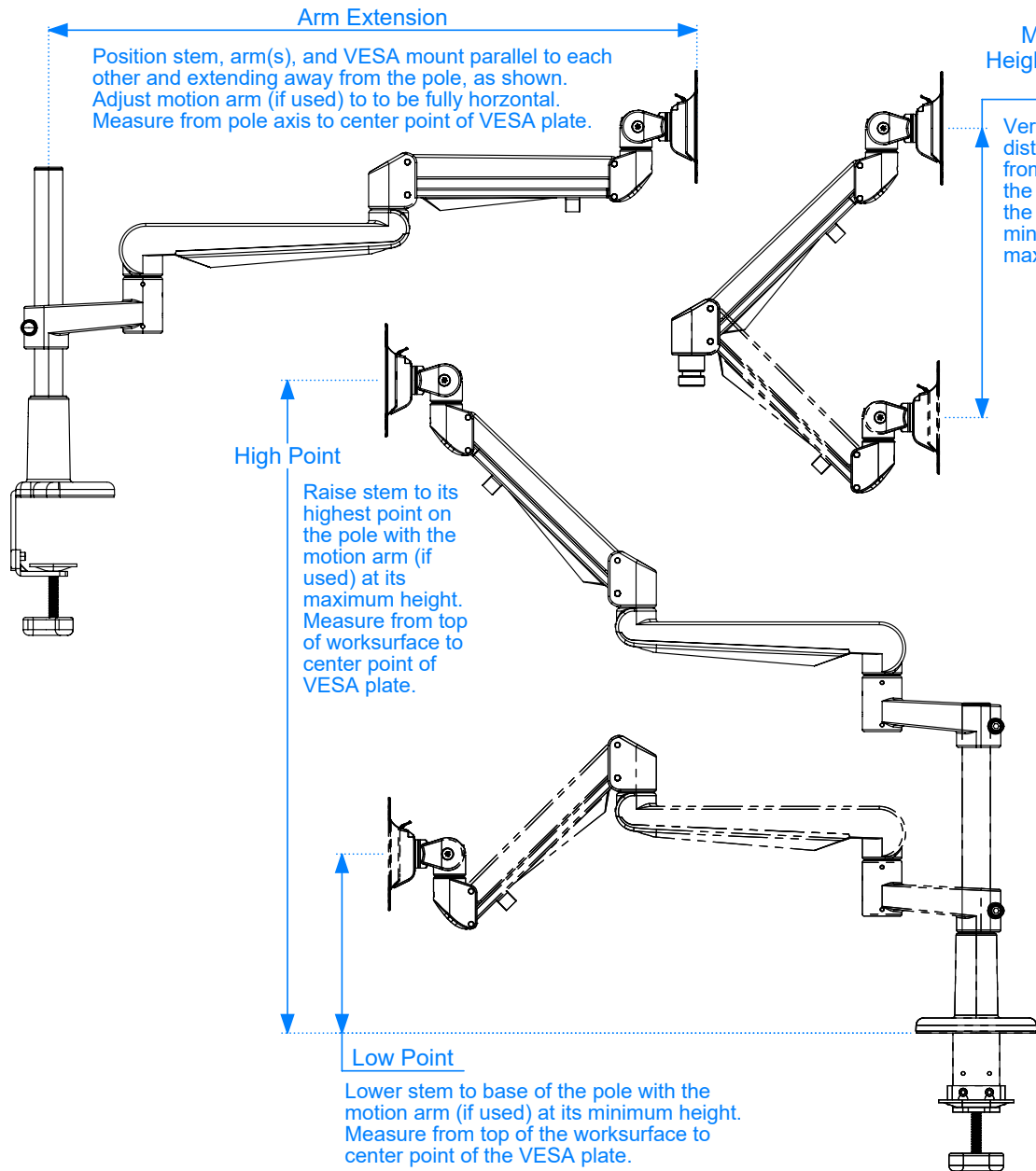


Monitor Arm Measurement Standards



Arm Retraction

Position VESA mount facing forward with arm(s) retracted/rotated back so the rear-most point of the VESA mount is in-line with the rear face of the desk clamp bracket.
Measure distance between rear face of the desk clamp bracket and the VESA plate.



Arm Extension

Position stem, arm(s), and VESA mount parallel to each other and extending away from the pole, as shown. Adjust motion arm (if used) to be fully horizontal. Measure from pole axis to center point of VESA plate.

Motion Arm Height Adjustment Range

Vertical travel distance measured from center point of the VESA plate with the motion arm at its minimum and maximum height.

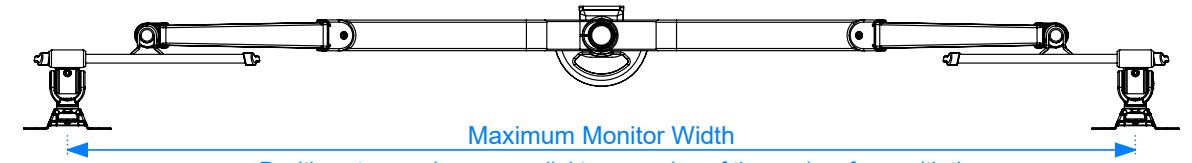
High Point

Raise stem to its highest point on the pole with the motion arm (if used) at its maximum height. Measure from top of worksurface to center point of VESA plate.

Low Point

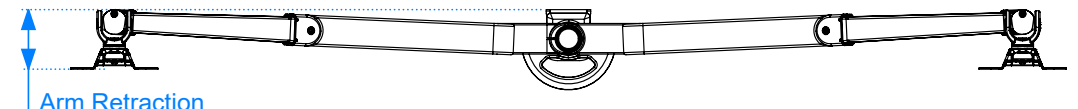
Lower stem to base of the pole with the motion arm (if used) at its minimum height. Measure from top of the worksurface to center point of the VESA plate.

Monitor Arm Measurement Standards



Maximum Monitor Width

Position stem and arms parallel to rear edge of the worksurface, with the VESA mounts facing forward (perpendicular to rear edge of worksurface). Adjust motion arms (if used) to be fully horizontal. Measure distance between the center points of each VESA plate with the sliders (if used) at their outermost positions.

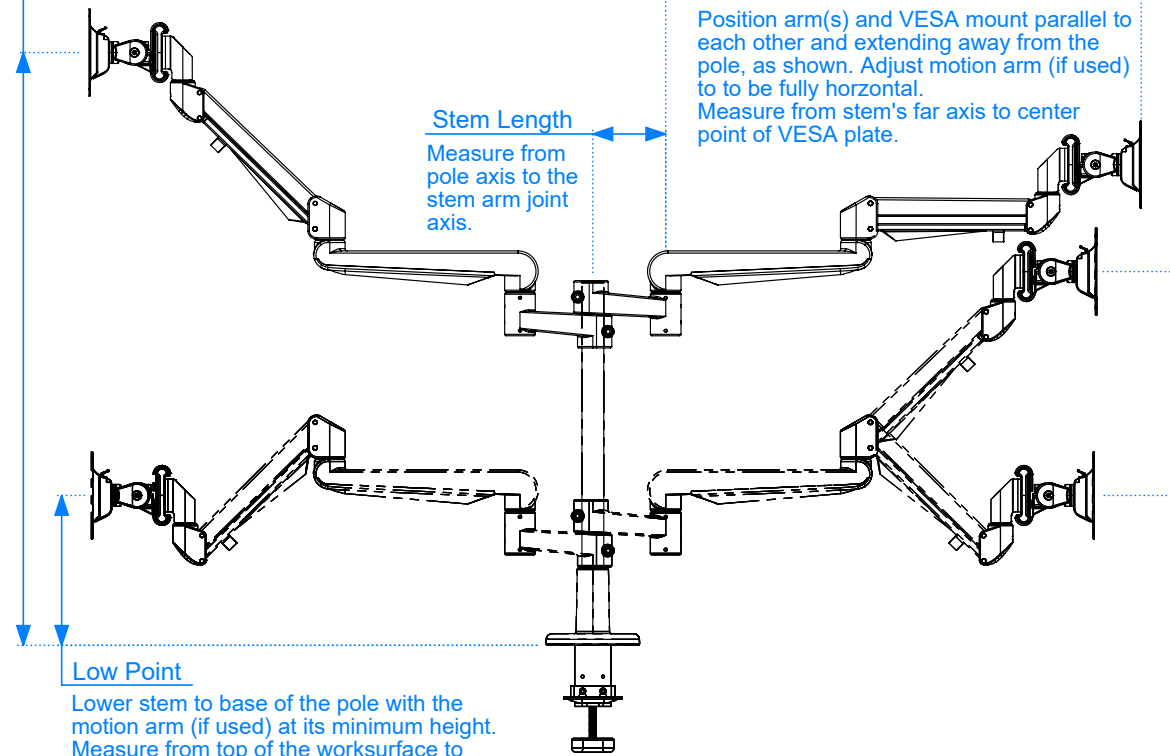


Arm Retraction

Position VESA mount facing forward with arm(s) retracted/rotated back so the rear-most point of the VESA mount is in-line with the rear face of the desk clamp bracket. Measure distance between rear face of the desk clamp bracket and the VESA plate.

High Point

Raise stem to its highest point on the pole with the motion arm (if used) at its maximum height. Measure from top of worksurface to center point of VESA plate.



Arm Extension

Position arm(s) and VESA mount parallel to each other and extending away from the pole, as shown. Adjust motion arm (if used) to be fully horizontal. Measure from stem's far axis to center point of VESA plate.

Stem Length

Measure from pole axis to the stem arm joint axis.

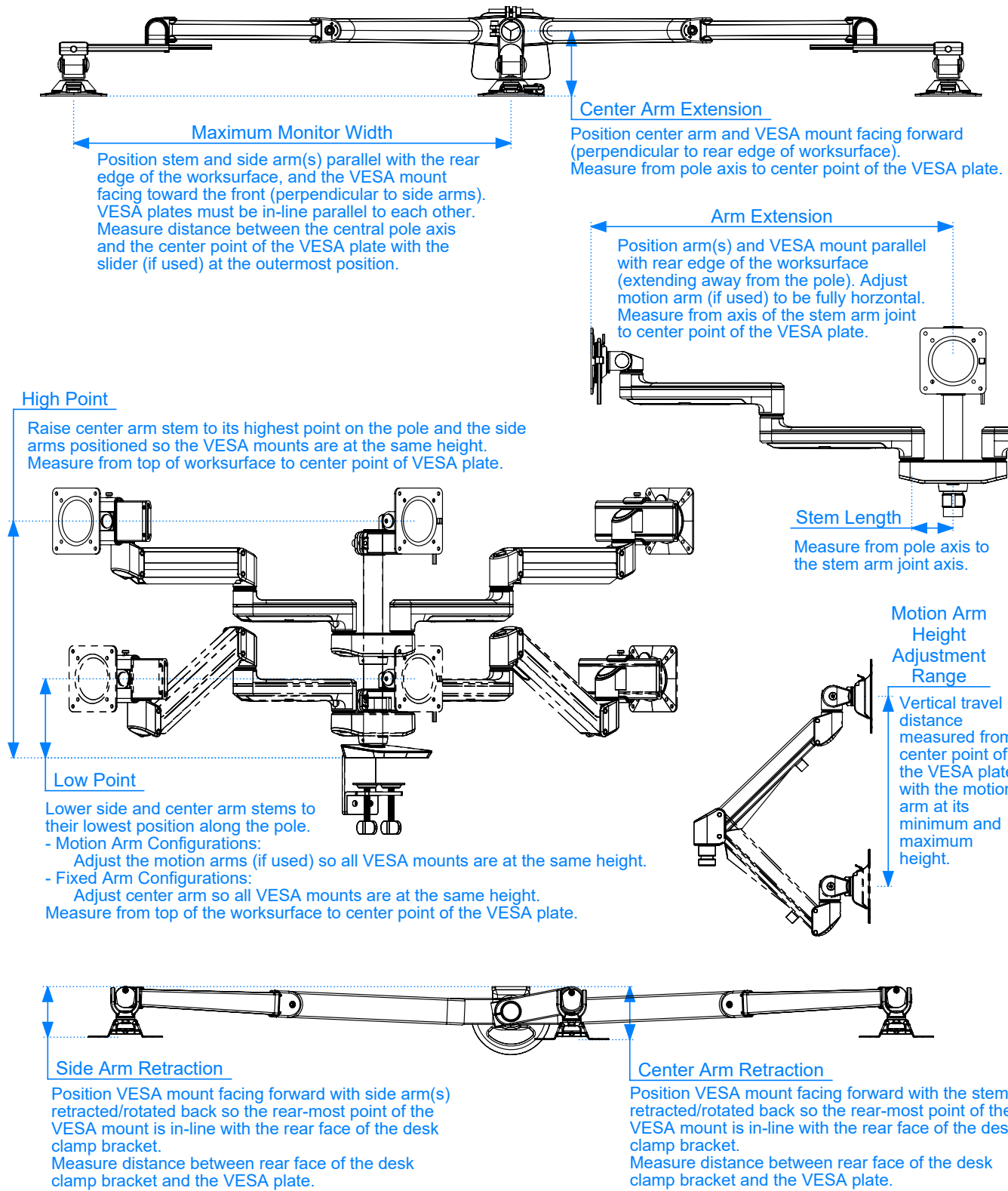
Motion Arm Height Adjustment Range

Vertical travel distance measured from center point of the VESA plate with the motion arm at its minimum and maximum height.

Low Point

Lower stem to base of the pole with the motion arm (if used) at its minimum height. Measure from top of the worksurface to center point of the VESA plate.

Monitor Arm Measurement Standards

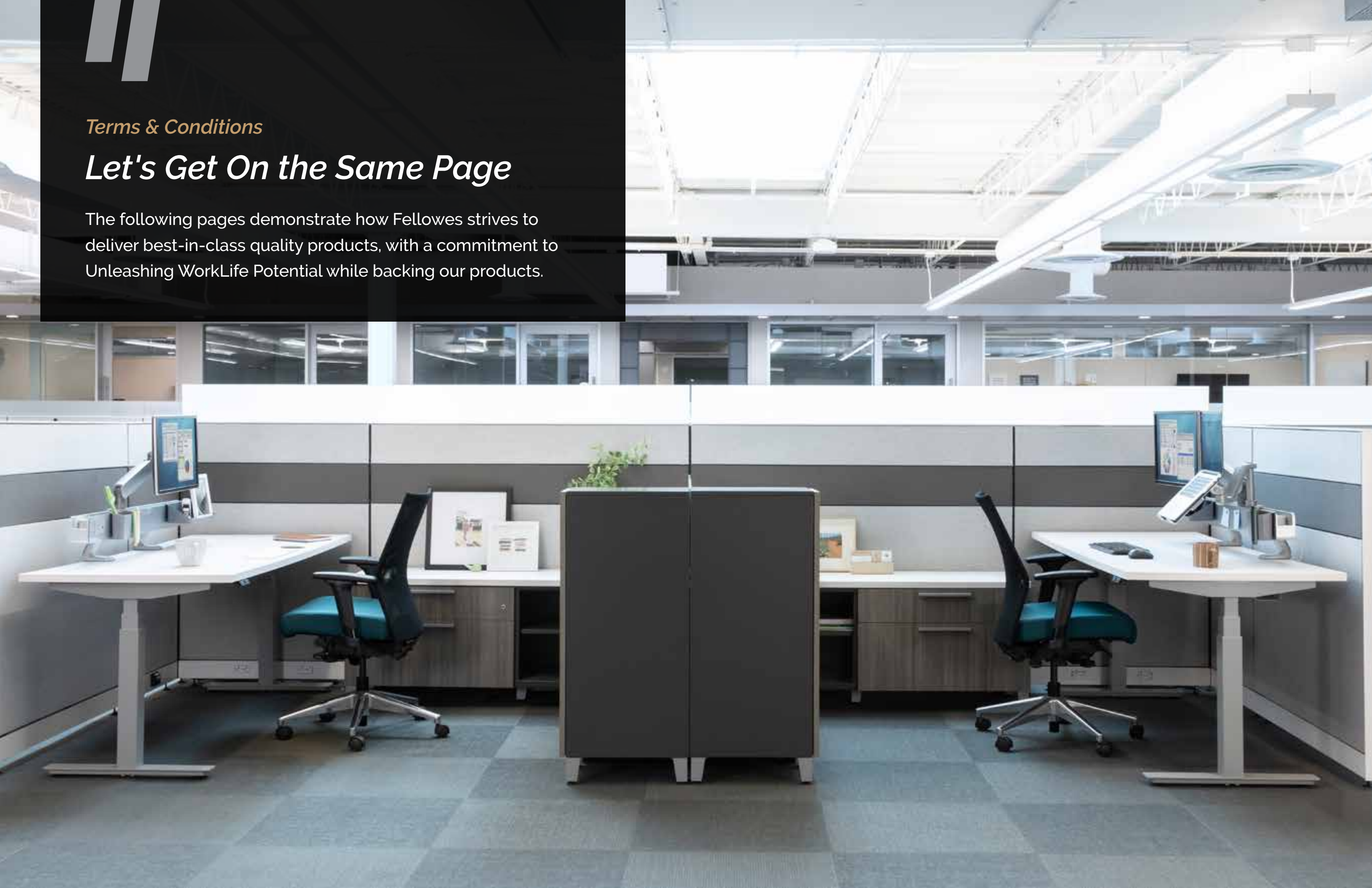




Terms & Conditions

Let's Get On the Same Page

The following pages demonstrate how Fellowes strives to deliver best-in-class quality products, with a commitment to Unleashing WorkLife Potential while backing our products.



Terms & Conditions

These terms shall be considered to be an inseparable part of any additional terms between the applicable Fellowes entity and Customer and are collectively referred to herein as the Terms and Conditions. To the extent that any terms provided by Customer conflict with the terms and conditions that follow, these Terms and Conditions shall govern that transaction.

Acceptance; Entire Agreement.

Acceptance by Customer of delivery of goods constitutes acceptance by Customer of the following terms and conditions. Any additional or different terms proposed by Customer shall be deemed to have been objected to by the Fellowes entity ("Fellowes" or "Seller"), shall be of no force or effect, and shall not be binding upon or enforceable against Seller. These terms and conditions constitute the entire agreement and understanding between the parties and supersede any and all prior agreements, understandings and communications with Customer, oral or written, relating to the goods that Seller or any of its subcontractors may provide (collectively, the "Goods"). No course of dealing or course of performance, either prior to, during or after the delivery of the Goods, shall be relevant or admissible by Customer to supplement, explain or vary these Terms and Conditions. The invalidity or unenforceability of any Terms and Conditions shall not affect the validity or enforceability of any other term or condition, and the remaining terms and conditions shall remain in full force and effect. No waiver, amendment or modification of these Terms and Conditions shall be binding upon or enforceable against Seller until approved in writing by a Fellowes Authorized Signatory.

Proprietary Information; Confidentiality.

Advertising. Customer shall consider all information furnished by Fellowes, as well as information learned about Fellowes' business or products, to be confidential and shall not disclose any such information to any other person or entity or use such information itself for any purpose other than performing hereunder, unless Customer obtains written permission from Fellowes to do so. This paragraph shall apply to drawings, specifications, or other documents prepared by Customer or Fellowes in connection with this order as well as observations of Customer while receiving goods or services. Customer shall not advertise or publish the fact that Fellowes has contracted to sell goods or services to Customer, nor shall any information relating to the order be disclosed without Fellowes' written permission unless otherwise agreed in writing, no commercial financial or technical information disclosed in any manner or at any time by Customer to Fellowes shall be deemed secret or confidential and Customer shall have no rights against Fellowes with respect thereof except such rights as may exist under patent or copyright laws.

Trademark Rights.

Fellowes grants Customer a non-exclusive, royalty-free license to use the Fellowes' trademarks included on any goods purchased hereunder (the "Licensed Marks") in connection with Customer's sale or marketing of goods in the course of Customer's business. The license granted herein does not include a right to sublicense. Customer acknowledges that Fellowes is the owner of the Licensed Marks, and nothing herein shall grant to Customer any right, title or interest in the Licensed Marks, except as specifically set forth herein. Customer shall use Fellowes' trademarks in a manner that is consistent with Fellowes' standards. This includes

using the ® designation adjacent to registered trademarks, and the TM designation adjacent to unregistered trademarks, where practicable. Customer shall cooperate with Fellowes' requests to ensure that Fellowes' trademarks are used in this manner. Fellowes shall have the right to review and inspect any marketing or promotional materials relating to the Licensed Products and, in its sole discretion, to prohibit the use of any such materials that do not meet Fellowes' standards. If Customer becomes aware of any infringing products, Customer will promptly notify Fellowes, which reserves the right to take any action. This trademark license is revocable at Fellowes' sole discretion.

Prices.

Prices quoted by Fellowes are subject to change without notice. Prices billed on invoice at time of shipment shall govern. Unless otherwise stated, all prices are quoted in U.S. Dollars. Seller will not accept or process purchase orders that contain pricing different from the standard prices. Fellowes reserves the right to revise all pricing, discounts, and freight terms, at any time, without notice. Current product pricing is included on product pages at Fellowes.com. Prices which are in effect at the time of order shall apply. Listed prices exclude additional fees applicable to special services requested by Customer (e.g., special cutting).

Taxes.

The prices for the Goods do not include sales, use and other taxes, duties and other governmental fees and charges that may be applicable to the Goods, and Customer shall be responsible for and pay upon demand all such taxes, duties and other governmental fees and charges (other than income taxes of Seller), notwithstanding that responsibility for collection or payment of such taxes, duties and other governmental fees and charges may be imposed by law on Seller or any of its subcontractors. All authorized dealers should ensure that a resale tax exemption certificate is on file with Fellowes.

Discontinued products.

Due to changing market demands, Fellowes may periodically discontinue certain products. Fellowes reserves the right to change and/or discontinue products at any time without notice.

Credit.

Fellowes may, in its sole discretion, extend credit to the Customer. For credit limits in excess of \$100,000, Fellowes requires audited financial statements prior to initial credit approval and on an annual basis thereafter. Fellowes shall perform periodic credit reviews using credit reporting agencies, trade references, industry trade groups and banks. In the event of a material adverse change in Customer's credit standing or in the event that Customer does not comply with the terms of these provisions, Fellowes shall have the right to change terms of payment, and Fellowes obligation to provide Products will be subject to reaching mutual agreement on revised terms.

To establish an account, Customer must complete and submit Fellowes' New Account Application (signed by company officer of Customer), Federal Taxpayer ID (Form W-9) and State Resale Certificate. Subject to sales, credit history, and credit lines, a deposit or advance payment may be required to process large orders.

Terms & Conditions

Once credit is approved, payment terms are net 30 days. Prior to Customer's credit approval (with receipt of required documents), prepayment of orders may be made by corporate check, wire transfer or ACH or for convenience, credit cards (Visa and Mastercard) are accepted.

Fellowes reserves the right to amend account terms, at any time, based on account history.

Deposits: Subject to sales, credit history, and credit lines, a deposit may be required to process large orders.

Payment.

Unless otherwise agreed in writing or stated on the Invoice, all payments are to be made in US Dollars and all amounts payable by Customer shall be due and payable in full 30 days after invoice. Fellowes will not accept the unilateral assessment of any fee, marketing support, co-op or other advertising, expense reimbursement, rebate, offset or any other financial or marketing support not explicitly authorized in writing by an authorized officer of Seller.

Any amounts not paid in full within 30 days after invoice shall be subject to a late payment charge of 1 ½ % per month (or, if less, the maximum amount permitted by law) from the date due until paid. Fellowes' obligation to provide Products is subject to receipt of prompt payment of all invoices pursuant to the terms of this and other agreements we may have with Customer. Progress billing of interest due or a failure to bill for interest due shall not constitute a waiver of Fellowes' right to charge interest on all amounts past due to the date payment is received. Should any portion of an invoice become disputed you agree to pay the undisputed portion according to its terms, and you will notify us promptly of the dispute.

Both parties agree to use their best efforts to resolve the disputed portion of such invoice within 30 days. Fellowes shall have the right to set off against any amount that Fellowes may be obligated to pay to Customer any amounts due or to become due to Fellowes from Customer and its divisions, subsidiaries and affiliated companies. Fellowes may assign payments due to a wholly-owned subsidiary without consent.

Order Placement and Confirmation.

Orders are to be submitted via e-mail to ci-orders@Fellowes.com. Orders must include "Ship To" and "Bill To" information along with complete Fellowes product model numbers and Customer cost. Government orders require a copy of the agency PO at the time the order is placed with Fellowes. All orders shall be subject to written acceptance by an authorized representative of Fellowes. Incomplete orders or changes will delay processing and shipment until receipt of all necessary information and Fellowes issuance of revised Sales Order Acknowledgment.

Order changes or cancellations.

All Customer cancellations and changes must be submitted to Fellowes in writing to [**ci-orders@Fellowes.com**](mailto:ci-orders@Fellowes.com). **Any request for cancellation or change to an order must be submitted within twenty-four (24) hours of receipt of order acknowledgment by Fellowes. Any requested cancellation or change received thereafter will incur a fee.** Order changes include the addition/deletion of line items or changes in quantity or requested Ship

Date or Ship To address. Order changes that result in a quantity reduction may be subject to an adjustment in pricing. Change or cancellation requests are not considered accepted until Fellowes provides a revised Sales Order Acknowledgment. Changes may result in processing delays or shipping delays. Under no circumstances will changes or cancellations be accepted on any special order, custom product, or worksurface order without the express written consent of Fellowes. All such custom and special orders are non-returnable.

Lead-Times and Delays.

Fellowes reserves the right to alter lead times as demand for products fluctuate. Stated lead- times begin after a complete order is entered and scheduled. Shipments are subject to product availability. Special products and larger orders may entail extended lead-times. Orders placed by dealers without a requested delivery date will be assigned a delivery date for custom product orders as currently published at www.fellowes.com. Please contact your customer service representative for estimated lead-times. If unforeseen circumstances occur, Fellowes may postpone delivery of orders and will notify Customer when such postponement occurs.

Fellowes shall not be liable for loss or damage due to delay in manufacturing or delivery resulting from any cause beyond Fellowes' reasonable control. This includes, but is not limited to, compliance with any regulations, orders, or instructions of any Federal, State, or Municipal Government, or any department or agency thereof, acts of God, acts or omissions of Customer, acts of civil or military authority, fires, strikes, disease or pandemic, factory shutdowns or alterations, embargoes, war, riot, delays in transportation or inability due to causes beyond Fellowes' reasonable control to obtain necessary labor, manufacturing facilities, or material from Fellowes' usual sources. In no event shall Fellowes be liable for special or consequential damages for any delay for any cause.

Shipping and Transportation.

(a)For Stocked Finished Goods
48-hour shipping program

Fellowes offers 48-hour shipping on the majority of finished goods that are in stock. Unless otherwise requested, these products are shipped from multiple shipping points throughout the U.S., within two business days of receiving the PO, depending on quantity ordered and available inventory. Orders that include products with longer lead times including special orders, custom products, or worksurface orders, are designated as "LT" (lead time) and therefore excluded from the 48-hour shipping program. Large orders may also require additional lead time. Products designated as LT could take up to 90 days for delivery after Fellowes' receipt of Customer's order. Call for on-hand availability.

Please note:

1. For the order to qualify for 48-hour shipping, all products on the PO must be available under the 48-hour shipping program
2. POs that include LT designated products will be shipped based on the lead time of the LT designated products unless otherwise

Terms & Conditions

requested

3. 48-hour orders will be shipped out within two business days of Fellowes' receipt of Customer's order unless otherwise specified on the PO

4. Worksurfaces, Motific, Centro, and Railway may arrive on a date different than the other items on the order

For all other purchases, delivery dates for the Goods shall be established by mutual agreement of Fellowes and Customer. The minimum order size is \$1,500. Fellowes may at its option accept orders not meeting the minimum order size with a \$75 handling fee. Customer shall provide any special shipping or labeling requirements to Fellowes for consideration prior to the first shipment.

Freight terms for all Contract Interiors products except for Markerboards are as follows:

- Orders under \$3,500 list will incur a flat \$35 net fee

- Orders over \$3,501 list ship free

- Residential freight deliveries will incur a flat \$70 net fee

For Canada:

- Orders under \$4,725 (CAD) list will incur a flat \$70 (CAD) net fee

- Orders over \$4,726 (CAD) list ship free

- Residential freight deliveries will incur a flat \$140 (CAD) net fee

Freight terms for Markerboards are as follows:

Freight Terms for Markerboards

QuickShip Wall-Mounted Markerboards & Accessories (U.S. Orders):

- Orders over \$3,501 (list): Ship free

- Orders under \$3,500 (list): \$35 flat fee

- Residential deliveries: \$70 flat fee

Mobile, Custom, and Non-QuickShip Wall-Mounted Markerboards:

- Orders over \$15,000 (list): Ship free

- Orders \$7,501–\$14,999 (list): \$350 flat fee

- Orders \$50–\$7,500 (list): \$200 flat fee

Crate Fees for Markerboards:

Non-QuickShip Wall-Mounted Markerboards (VITA & MURO made-to-order):

- \$40 per markerboard

Q! Portrait and Landscape & AX Mobile Markerboards:

- 1 unit: \$300 each

- 2–3 units: \$225 each

- 4+ units: \$150 each

VITA QS & MURO QS (QuickShip):

- No crate fees (ship in cartons)

AF Mobile Markerboards:

- No crate fees (ship on individual pallets)

For US purchase orders including InStock Wall Mounted, Mobile Markerboards and Markerboard Accessories, but no other Contract Interiors products included on the order:

- Orders over \$15,000 list ship free

- Orders \$7,501 List thru \$14,999 List will incur a flat fee of \$350 net

- Orders \$50 List thru \$7,500 List will incur a flat fee of \$200 net

- Markerboards (domestic and non-in stock items) requiring a wood crate will incur the following crate fees:

- Wall Mounted Markerboards will incur a flat \$40 net fee

- Mobile Markerboards will incur the following fees based on quantities ordered:

- 1 Unit: \$300 net fee (each)

- 2-3 Units: \$225 net fee (each)

- 4+ Units: \$150 net fee (each)

Fellowes ships orders by way of standard ground carrier service dock-to-dock within the contiguous 48 states of the United States. Special requests such as "call before delivery", "delivery lift gate required", residential delivery, re-routed deliveries, or specific delivery date/time requests may be subject to additional charges or may not be available. Contact our Customer Service Department for expedited delivery requests or deliveries outside of the contiguous 48 states. Customers will be charged additional fees for changes made to orders that have already departed the facility, resulting in re-delivery or re-consignment.

Fellowes accepts requests for expedited freight at the customer's expense. Please contact our Customer Service Department at 800.833.3746 and provide your preferred carrier account number in which to charge the expedited freight.

Unless an Invoice expressly specifies otherwise, all Goods shall be delivered F.O.B. the shipping platform at the shipping facility, and all shipping and transportation costs from the shipping platform at such facility shall be borne by Customer and all risk of loss, damage or late delivery shall pass to Customer upon loading at the shipping platform at such facility. Seller shall have no responsibility for any failure of or delay in delivery caused by or attributable to war, sabotage, riot, civil disorder, fire, flood, earthquake, explosion, accident, natural or manmade disaster, governmental action, shortage or interruption of supply of materials, supplies, equipment or energy, transportation problem, strike, labor stoppage or slowdown, or other cause beyond the reasonable control of Seller.

(b)For Made-to-Order, Special, and Custom Products

All orders shipped to any destination within the contiguous United States, will be F.O.B. origin, freight prepaid. Except as noted above, title and risk of loss or damage shall pass to Customer upon delivery to carrier. Fellowes shall retain a Purchase Money Security Interest in all such goods until payment is received in full and reserves the right to file and perfect the same. Fellowes will determine the method and agency of transportation to be used.

Exceptions to standard prepaid freight are as follows:

- Customer directed expedites (Air Freight, Team Hauls) will be prepaid by Fellowes and Customer will be billed the difference between standard and expedited freight

Terms & Conditions

- Truckload deliveries that are requested to deliver on weekends, Holidays or after 12:00 noon EST on Fridays will have an additional charge of \$450 per truck

- Excessive unloading (in excess of 2 hours) will be billed at \$50 per hour after the initial 4 hour unloading period

- LTL shipments normally deliver between 8:00 am and 5:00 pm, Monday through Friday. A specific delivery time on your assigned delivery date can be requested for an additional charge of \$150. This charge does not apply to full-truckload shipments. Requests for specific dates/times falling outside standard delivery timeframe for the carrier serving your area constitute Expedites (see Customer-Directed Expedites, above). Expedite charges do apply to full-truckload shipments

- Lift gate service will have an additional charge of \$85 for an LTL carrier. For lift gate service on a truckload, contact Customer Service

- Inside delivery service starts at \$50. Call Customer Service for quote

- Reconsignment cost after shipment starts at \$50. Call Customer Service for quote

- Special equipment requirements call for a quote

If delivery is made on Fellowes owned or leased equipment, Customer or its authorized representative is responsible for noting any freight damage or shortage on the freight bill of lading at time of delivery and must notify Fellowes within five (5) days of delivery day of any such damage or shortage. Assistance in a concealed damage claim will be provided by Fellowes only if the product has been immediately unpacked and both the carrier and Fellowes have been promptly notified of resultant damage so the proper inspection can be made.

Damage and Shortage.

Fellowes is not responsible for shipped products when the common carrier is in receipt of the material. Fellowes expects all customers to thoroughly inspect orders on receipt regardless of point of delivery. Clear receipt should not be given on the material until it has been checked for damage in transit. All claims for noted damaged material must be made by the Customer to Fellowes Customer Service. Concealed damage or damage not noted at time of delivery shall be made by the Customer to the common carrier within five (5) days after receipt. Fellowes assumes no liability for such damage. Shortage on ordered products must be reported to Fellowes within five (5) days of product delivery and must be noted on the bill of lading at time of delivery.

Storage.

When shipment is delayed by the Customer, Fellowes reserves the right to place the goods in storage at Customer's risk and cost. Fellowes charges ¼ of 1% of list price per week to cover storage. All terms and conditions of the sale, including but not limited to invoicing and payment, will continue to apply to Customer's confirmed order; except that title shall remain with Fellowes. Fellowes reserves the right to modify payment terms to assure recovery of any additional cost incurred.

Returned Goods.

To receive authorization to return goods, please contact Fellowes Customer Service Department at ci-customerservice@fellowes.com. All Returned Materials Authorizations expire thirty (30) days from date of issue. Any product returned after thirty (30) days will be refused and returned to sender collect. Electrical components, nonstandard items and fabric-covered goods may not be returned. Replacement products will be billed to you with credit being issued upon return of the product in good condition. All goods returned must be in the original Fellowes packaging. Goods will be inspected for damage upon return. No credit will be issued for goods which are damaged. A return authorization will not be issued for items unless they are Fellowes stock items. If material is authorized for return because of Fellowes error, shipment may be made freight collect. Any other goods that Fellowes authorizes a return will be sent prepaid and a restocking charge of 35% will apply.

Fellowes offers free returns for any accessory product returned in the original Fellowes packaging.

Fellowes does not accept returns of any made to order, special or custom product.

Product Usage and Compliance.

Customer assumes full responsibility for the application of Fellowes' product to Customer's use and compliance with Fellowes installation and maintenance instructions and reasonable load restrictions. Compliance to local code restrictions regarding fire, electrical, and building codes are the responsibility of the Customer or its authorized agent.

Limited Warranty; Limitations on Liability.

Fellowes grants a limited warranty to the end-users of its Goods, the terms of which are included with each product. Fellowes warrants to the Customer solely that, subject to the terms, conditions and limitations hereof, the Goods conform to the specifications set forth in the Fellowes catalog and will be transferred to customer free and clear of any and all encumbrances. This warranty supersedes all previously printed Fellowes warranties. **FELLOWES MAKES NO OTHER WARRANTIES AND GIVES NO OTHER ASSURANCES OR GUARANTEES, EXPRESS OR IMPLIED, WITH RESPECT TO ANY GOODS, INCLUDING, WITHOUT LIMITATION, ANY WARRANTY OF FITNESS FOR A PARTICULAR PURPOSE.**

FELLOWES' SOLE LIABILITY IN CONNECTION WITH ANY GOODS THAT ARE DEFECTIVE OR DELIVERED LATE SHALL BE LIMITED TO EITHER (i) REFUNDING TO THE CUSTOMER A PERCENTAGE OF THE TOTAL PRICE (EXCLUSIVE OF TAXES, SHIPPING AND OTHER SEPARATE CHARGES) THAT THE CUSTOMER HAS PAID TO FELLOWES FOR ALL GOODS PROVIDED EQUAL TO THE PERCENTAGE OF ALL GOODS PROVIDED THAT ARE DEFECTIVE OR DELIVERED LATE DUE TO THE SOLE FAULT OF FELLOWES AND ITS SUBCONTRACTORS, OR (ii) AT FELLOWES' OPTION, REPLACING FOR THE CUSTOMER, AT NO CHARGE TO THE CUSTOMER, THE GOODS THAT ARE DEFECTIVE OR DELIVERED LATE DUE TO THE SOLE FAULT OF FELLOWES AND ITS SUBCONTRACTORS.

Terms & Conditions

IN NO EVENT SHALL FELLOWES OR ANY OF ITS SUBCONTRACTORS BE LIABLE FOR (i) ANY INCIDENTAL, INDIRECT, EXEMPLARY, SPECIAL OR CONSEQUENTIAL DAMAGES (INCLUDING, BUT NOT LIMITED TO, INTEREST, LOST PROFITS OR INTERRUPTION OF BUSINESS), EVEN IF FELLOWES HAS BEEN ADVISED OF THE POSSIBILITY OF SUCH DAMAGES OR IF SUCH DAMAGES RESULT FROM ANY RECOMMENDATIONS MADE BY FELLOWES, OR (ii) ANY LOSSES, DAMAGES, LIABILITIES, SUITS OR CLAIMS THAT ARE COVERED BY ANY INSURANCE MAINTAINED BY OR ON BEHALF OF THE CUSTOMER OR ARE OTHERWISE RECOVERABLE FROM THIRD PARTIES.

IN ADDITION, THE LIABILITY OF FELLOWES AND ITS SUBCONTRACTORS FOR LOSSES, DAMAGES, LIABILITIES, SUITS AND CLAIMS, REGARDLESS OF THE FORM OF ACTION (WHETHER BASED ON CONTRACT, ON NEGLIGENCE, ON STRICT LIABILITY OR OTHERWISE) AND THE PERSON OR ENTITY BRINGING SUCH ACTION, SHALL NOT EXCEED, IN THE AGGREGATE, THE TOTAL AMOUNT (EXCLUSIVE OF TAXES, SHIPPING, AND OTHER SEPARATE CHARGES) ACTUALLY PAID TO SELLER BY THE CUSTOMER FOR THE GOODS AT ISSUE. ANY ACTION AGAINST SELLER MUST BE BROUGHT WITHIN ONE YEAR OF THE CAUSE OF ACTION FIRST ARISING.

Lifetime Warranty.

Fellowes warrants to the original purchaser that the goods described in its price lists, sold after March 3, 2025, will be free from defects in materials and workmanship commencing with the date of initial purchase and continuing for as long as the original owner uses the purchased products. This warranty is non-transferrable and contains the following limitations.

	Products	Components
10 Years	<ul style="list-style-type: none"> Lighting Power Solutions Hana Series Palm Rests/Mouse Pads/ Pencil Drawers Lotus-DX Power Module Rising Loft 	<ul style="list-style-type: none"> Panel Fabrics Acoustic Tiles
5 Years	<ul style="list-style-type: none"> Anti-fatigue Mats Markerboard Accessories 	<ul style="list-style-type: none"> Upholstered Cushions PET and Acrylic Screens and Modesties Seating Mesh Plastic Components Paint
Not Covered		<ul style="list-style-type: none"> Custom Requested Logos Special Paint Textures and Finishes Custom Products (sizes, non-standard models)

Warranty Exclusions.

The following warranty exclusions apply to all Goods:

All Fellowes warranties apply only under typical office use which is defined as an eight (8) hour day, forty (40) hour week, and excludes excessive use.

Damages caused by improper treatment, accident, altercation, transport, misuse, normal wear and tear such as dents, nicks, scratches, fading, and fading of the Goods including exposure to unusual environmental conditions (extreme climates, acids, and moisture) are excluded. No express promise or guarantee is made to an exact color match to any customer-owned product in an existing installation.

Warranties are excluded for Goods purchased for personal, family, or household purposes and for Goods purchased from any source other than Fellowes, its Fellowes-Authorized dealers, or any other such entity that is specifically authorized by Fellowes to sell the Goods.

Fellowes warranties apply only to Goods installed or reconfigured by a Fellowes-authorized installer with an original product label attached to the Good. For Goods that are defective within the period stated above, Fellowes will, at its sole option, repair or replace defective Goods free of charge when such Goods were used under typical office use conditions pursuant to Fellowes published instructions and applicable planning guide information.

All warranties, exclusions, and limitations are express and made a condition of the sale of Goods.

No person is authorized to assume any warranty stated herein for Fellowes, except as expressly set forth in writing by an authorized officer of Fellowes.

Any and all labor chargebacks must be pre-approved by Fellowes Customer Service Manager in writing. Fellowes will reimburse a Fellowes-Authorized dealer and service center with a credit against future orders.

No warranty period is stayed or prolonged by the performance of a service under the terms of the warranty.

If Seller is Fellowes, Inc. or any other subsidiary or joint venture of Fellowes, Inc. not listed below:

The construction, validity and performance of these Terms and Conditions shall be governed and construed according to the internal laws of the State of Illinois. Seller and Customer agree that any legal action arising out of or relating to this agreement or the transactions contemplated by this agreement shall be brought in either the United States District Court in and for the Eastern Division of the Northern District of Illinois or the Circuit Court in and for Du Page County, Illinois, and consents to personal jurisdiction of such courts over them in any such action. Seller and Customer waive any defense of inconvenient forum to the maintenance of any such action or proceeding so brought and waives any bond, surety, or other security that might be required of either Seller and Customer.

If Seller is Fellowes Canada, Ltd.

The construction, validity and performance of these Terms and Conditions shall be governed and construed according to the internal laws of the Province of Ontario, without giving effect to any choice or conflict of law provision or rule that would cause the application of the laws of any jurisdiction other than the Province of Ontario. Each of the Parties agrees that any legal action arising out of or relating to this Agreement shall be brought in Ontario, Canada, and consents to the personal jurisdiction of such courts over the Parties in any such action. Each of the Parties waives any defense of inconvenient forum to the maintenance of any such action or proceeding so brought and waives any bond, surety, or other security that might be required of any Party hereto.

If Seller is Fellowes Ltd, Fellowes Ibérica S.L., Fellowes GmbH, Fellowes Polska S.A., Fellowes RU Ltd, Beswick Office Products (Pty) Ltd., Fellowes Leonardi S.p.A., or Fellowes France SA

Terms & Conditions

The construction, validity and performance of these Terms and Conditions shall be governed and construed according to the laws of England and Wales. Seller and Customer agree that any legal action arising out of or relating to this agreement or the transactions contemplated by this agreement shall be brought in England and Wales, and consents to personal jurisdiction of such courts over them in any such action. Any such action shall be conducted in English. Seller and Customer waive any defense of inconvenient forum to the maintenance of any such action or proceeding so brought and waives any bond, surety, or other security that might be required of either Seller and Customer.

If Seller is Fellowes (Australia) Pty. Ltd:

The construction, validity and performance of these Terms and Conditions shall be governed and construed according to the laws of Victoria, Australia. Seller and Customer agree that any legal action arising out of or relating to this agreement or the transactions contemplated by this agreement shall be brought in courts of the State of Victoria, and consents to personal jurisdiction of such courts over them in any such action. Any such action shall be conducted in English. Seller and Customer waive any defense of inconvenient forum to the maintenance of any such action or proceeding so brought and waives any bond, surety, or other security that might be required of either Seller and Customer.

If Seller is Fellowes Office Products Suzhou Co. Ltd, Fellowes Singapore, Fellowes Malaysia, Fellowes Korea Ltd:

The construction, validity and performance of these Terms and Conditions shall be governed and construed according to the internal laws of the State of Illinois. Any controversy or claim arising out of or relating to these Terms and Conditions, or the breach thereof, will be determined by arbitration administered by the International Centre for Dispute Resolution ("ICDR") in accordance with its International Arbitration Rules. A request for interim measures addressed by Seller and Customer to a judicial authority will not be deemed incompatible with the agreement to arbitrate or a waiver of the right to arbitrate. The place of arbitration will be Chicago, Illinois, U.S.A. The number of arbitrators shall be three (3); Seller and Customer will each appoint one (1) arbitrator, and ICDR will appoint a third arbitrator, who will be the presiding arbitrator. The language of the arbitration will be English. The arbitration award made by ICDR will be final and binding upon the parties. The costs of arbitration will be borne by the losing party, unless otherwise determined by the arbitration award.

Notwithstanding the forgoing, if Customer is domiciled in the People's Republic of China or any other jurisdiction that does not enforce the judgments from a court of a jurisdiction designated by the foregoing paragraphs, the paragraph calling for arbitration with the ICDR shall apply.

Relationship of parties.

References herein to "Customer" include the person or entity specifically identified in the Invoice as "Customer" and its divisions, subsidiaries and affiliated companies. The relationship of the Parties hereto is that of vendor and purchaser. Nothing in these Terms and Conditions, and no course of dealing between the Parties, shall be construed to create any other type of relationship. Accordingly, Customer shall not be empowered to bind Fellowes in any way, to incur any liability or otherwise act on behalf of Fellowes.

Severability.

If any clause or portion of these Terms and Conditions shall be held by a court of competent jurisdiction to be illegal, invalid, or unenforceable, the remaining clauses or portions shall remain in full force and effect.

Force majeure.

Fellowes shall not be liable hereunder for any failure or delay in the performance of its obligations under these Terms and Conditions, if such failure or delay is on account of causes beyond its control, including labor disputes, civil commotion, contagion, pandemic, war, fires, floods, inclement weather, governmental regulations or controls, casualty, government authority, strikes, or acts of God, in which event the Fellowes shall be excused from its obligations for the period of the delay and for a reasonable time thereafter. Fellowes shall use reasonable efforts to notify the other Party of the occurrence of such an event within five business days of its occurrence.

Fellowes Customer Service Contacts:

Contract Interiors

Phone: 800-833-3746

Email: ci-customerservice@fellowes.com

Architectural Solutions

(Modular Walls and Air Quality Management)

Phone: 800-893-8115

Email: as-customerservice@fellowes.com

Fellowes

1000

Fellowes
Brands[™]

FAMILY BUSINESS
SINCE 1917



Quickship



Lifetime Warranty

- Ships in 48 hours
- eM: 40" W X 72.5" H X 22" D
- Full Frame
- Premium, 4mm, low-iron glass
- Non-ghosting
- Dual sided writing surface
- Gloss finish
- Magnetic (dual sided)
- White glass and 3 frame colors: white, black, and silver
- Caster color: black

eM Key

EM-GL-M-WHT-WHT-BLK

a b c d e f

- a. Product Group
- b. Finish
- c. Magnetic
- d. Glass Color
- e. Frame Color
- f. Caster Color



Model Number	Markerboards Mobile – eM	
	a. Product Group: EM (eM)	List Pricing as of 8/1/2025
	b. Standard Glass Finish: Gloss (GL) c. Magnetic (M)	
	d. Standard Glass Color: White (WHT) e. Standard Frame Colors: White (WHT), Black (BLK), Silver (SLV) f. Caster Color (Stem and Hub): Black (BLK)	
Quickship White Glass – 3 Frame Colors:		
EM-GL-M-WHT-WHT-BLK	eM Quickship/40"x72.5"x22"/Gloss/Magnetic/White Glass/White Frame/Black Casters	\$5,000
EM-GL-M-WHT-BLK-BLK	eM Quickship/40"x72.5"x22"/Gloss/Magnetic/White Glass/Black Frame/Black Casters	\$5,000
EM-GL-M-WHT-SLV-BLK	eM Quickship/40"x72.5"x22"/Gloss/Magnetic/White Glass/Silver Frame/Black Casters	\$5,000

- 1 Unit – \$300 Crate Fee per each eM Mobile Glass Markerboard
- 2–3 Units – \$225 Crate Fee per each eM Mobile Glass Markerboard
- 4+ Units – \$150 Crate Fee per each eM Mobile Glass Markerboard